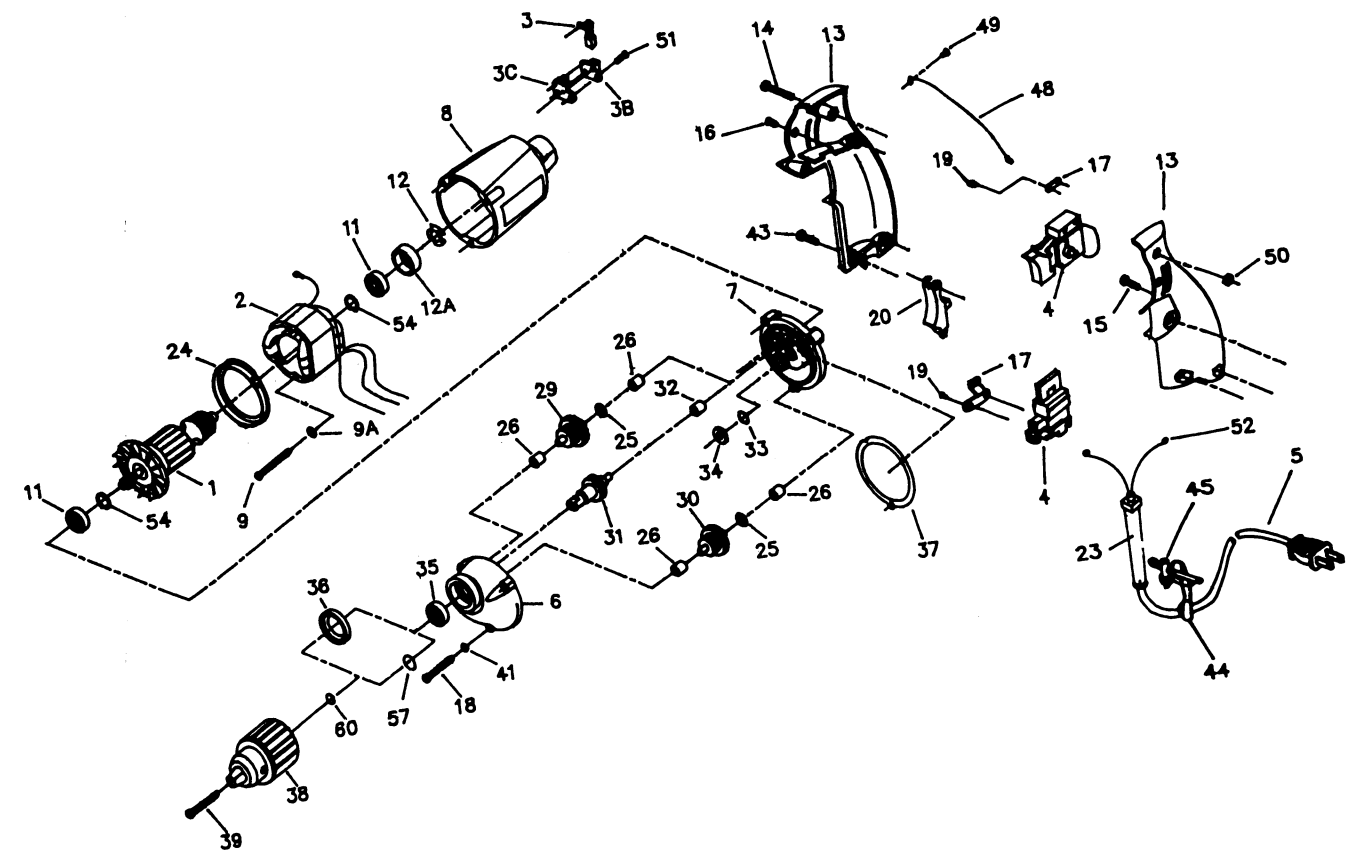


7501
7511
7514

PORTER-CABLE DRILLS

7501
7511
7514

WARNING! Electrical repairs should only be attempted by trained repairmen. Contact the nearest Porter-Cable Service Center or other competent repair center.



7501
7511
7514

SERVICE NOTES

7501
7511
7514

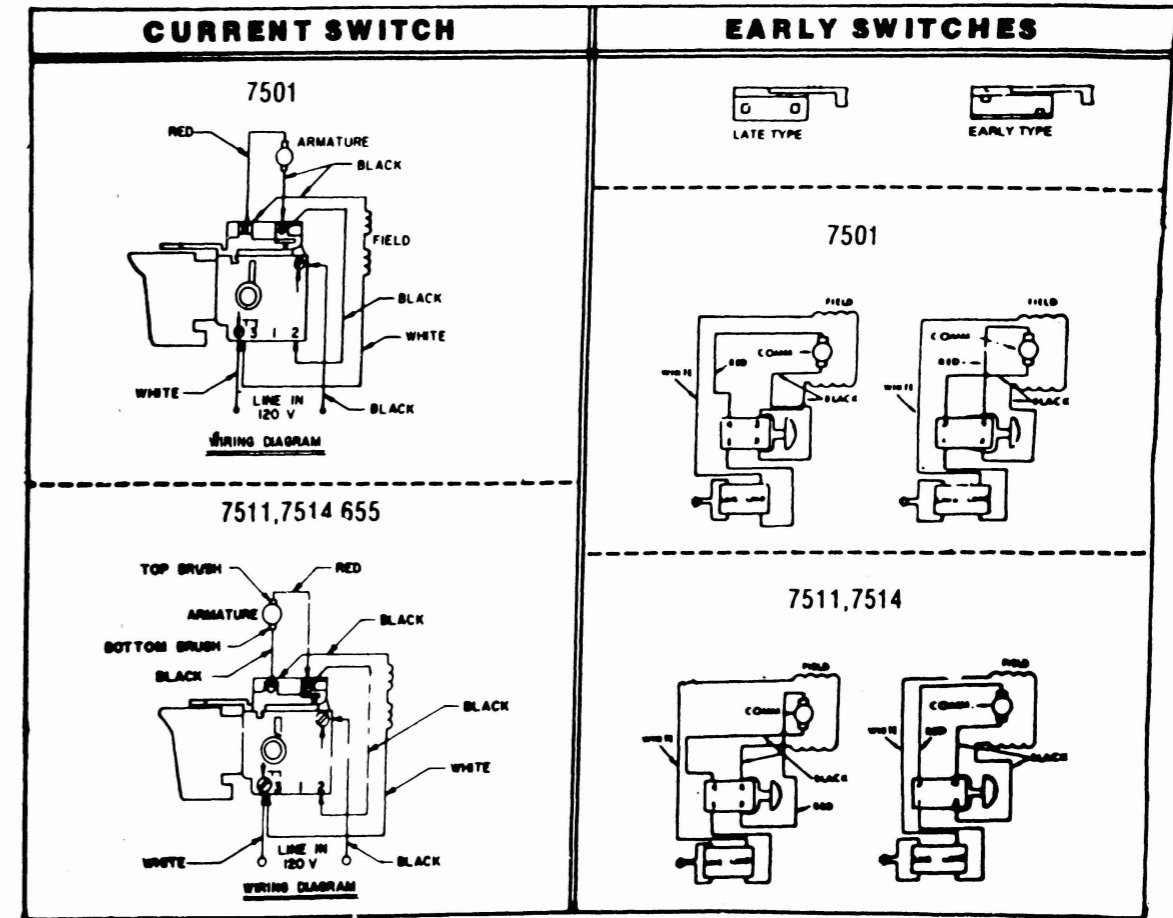
Ref. No.	Part No.	Description	Ref. No.	Part No.	Description
1	872640	Armature (7501) T6	32	693808	Needle Bearing (7501) T5, T6 (7511, 7514) T6, T7
	872638	Armature (7511, 7514) T7		839837	Needle Bearing, 7501 Except T5, T6 (7511, 7514) Except T6, T7
	698198	Armature, 7501 T5	33	802851	O-Ring (Early Version Only)
	698200	Armature (7511, 7514) T6	34	852714	Slinger
	865733	Armature (7501) Except T5, T6	35	695700	Bearing (7511, 7514) T4, T5, T6, T7
	865735	Armature (7511, 7514) Except T6, T7		855220	Bearing 7501 (all); 7511 & 7514 (Except T4, T5, T6, T7)
2	872646	Field (7501 T6; 7511 T7; 7514 T7)			
3	865736	Field (All except 7501 T6, 7511 T7, 7514 T7)	36	804257	Retainer (T1, T2)
	869734	Brush - Except T1	37	697203	Gasket (Current)
	865941	Brush & Holder Assy. T1	38	862129	Chuck 0-1/4" Cap (7501)
3B	869691**	Brush Holder - Except T1		862128	Chuck 0-3/8" Cap (7511 Except T4, T5, T6, T7)
3C	811490**	Brush Insulator - Except T1		867937	Chuck 5/64"-1/2" Cap (7514) Except T4, T5, T6, T7
4	698247	Switch, 7501 T4, T5, T6 (7511, 7514) T5, T6, T7		695170	Chuck 0-3/8" (7511 T4, T5, T6, T7)
	864931	Switch (7501) T1, T2, T3, (7511, 7514) T1, T2, T3, T4		844495	Chuck 5/64"-1/2" (7514 T4, T5, T6, T7)
5	695854	Cord, Incl: Ref. 23		858600	Chuck Screw (7501)
	697681	Gear Hsg. Assy. 7501 T5, Incl: Ref. 26	39	691667	Chuck Screw (7511 Except T4, T5, T6, T7)
	697682	Gear Hsg. Assy. (7511, 7514) T6, T7, Incl: Ref. 26		867938	Chuck Screw (7514) Except T4, T5, T6, T7
	691844	Gear Hsg. Assy. 7501 T3, T4, Incl: Ref. 26			
	695143	Gear Hsg. Assy. (7511, 7514) T4, T5, Incl: Ref. 26	41	865686	Chuck Screw (7511, 7514) T4, T5, T6, T7
	848146	Gear Hsg. Assy. (7501 T1, T2, Incl: Ref. 26	43	802648	Lockwasher
	691852	Gear Hsg. Assy. (7511, 7514) T3, Incl: Ref. 26	44	811644	Screw
	865574	Gear Hsg. Assy. (7511, 7514) T1, T2, Incl: Ref. 26	45	856510	Key Holder
7	697684	Int. Plt. 7501 T5, T6 (7511, 7514) T6, T7 Incl: Ref. 11, 26, 32		801391	Chuck Key (7501)
	866599	Int. Plt. 7501 Except T5, T6 (7511, 7514) Except T6, T7 Incl: Ref. 11, 26, 32, 37		848859	Chuck Key (7511 T1, T2, T3)
8	697543**	Motor Hsg. 7501 T5, T6 (7511, 7514) T6, T7	48	826226	Chuck Key (7511 T4, T5, T6, T7)
	868219**	Motor Hsg. 7501 T2, T3, T4 (7511, 7514) T2, T3, T4, T5, Incl: Ref. 12A		875134	Chuck Key (7514)
	865245	Motor Hsg. - T1	49	698571	Lead Assy T2, T3, T4, T5, T6, T7
	699085	Self-Tapping Screw (Current)	50	865774	Lead Assy T1
	841941	Machine Screw (Early)	51	864137	Screw
9A	802214	Washer (for self-tapping field screws)		828841	Wut
11	855284	Armature Bearing		864136	Brush Holder Screw (Except T1)
12	842610	Spring (Early)		860756	Brush Holder Screw T1
12A	694432	Bearing Mount (Current)	52	849314	Terminal
13	698454	Handle Assy. 7501 T4, T5, T6 (7511, 7514) T5, T6, T7 Incl: Ref. 14, 16, 17, 19, 43, 50	54	847564	Ring (Service Only)
	691682	Handle Assy. 7501 T2, T3; (7511, 7514) T2, T3, T4; Incl: Ref. 14, 15, 16, 20, 22, 43, 50, 55	57	859382	Snap Ring (7511, 7514) T4, T5, T6, T7
	868557**	Handle Assy. T1, Incl: Ref. 14, 15, 16, 20, 22, 43, 46, 50, 55	60	859769	Snap Ring (7501) Except T1, T2 (7511, 7514) T3
14	865643	Screw		695727	Spacer (7511, 7514) T4, T5, T6, T7
15	859384	Screw		861720	Spacer 7501 (all); 7511 & 7514 (Except T4, T5, T6, T7)
16	866340	Screw		810543	Aux. Hdle. (7510, 7511, 7512, 7514)
17	861434	Cord Clamp 7501 (T4, T5, T6); 7511 (T5, T6, T7)		811292	Fan
	869625	7514 (T2, T3, T4, T5, T6, T7) Cord Clamp (7501) T2, T3; 7511 T2, T3, T4		801945	Lubricant Tube (5 1/2 oz) (156 gm)
	866445	Cord Clamp All T1		801946	Gear Cap (1 oz) (28 gm)
18	694015	Self-Tapping Screw (Current)		696264	Lubricant (4 lbs)
	865682	Machine Screw (Early)			Type 5 Switch and Handle Set Incl: Ref. 4, 13 (Fits All Except T1)
19	859227	Screw			**See Service Notes
20	811234	Actuator All T1, T2, T3; (7511, 7514) T4			**Not Shown
23	810882	Strain Reliever			
24	811350	Baffle			
25	848741	Washer			
26	693808	Needle Bearing, 7501 T5, T6 (7511, 7514) T6, T7			
	848131	Needle Bearing, 7501, Except T5, T6 (7511, 7514) Except T6, T7			
29	697671	Idler Assy. 7501 T5, T6			
	697679	Second Idler Assy. 7511 T6, T7			
	697680	Second Idler Assy. 7514 T6, T7			
	864981	Idler Assy (7501) Except T5, T6			
	864984	Second Idler Assy. (7511) Except T6, T7			
	847654	Second Idler Assy. (7514) Except T6, T7			
30	697672	First Idler Assy. (7511, 7514) T6, T7			
	865273	First Idler Assy. (7511, 7514) Except T6, T7			
31	697721	Spindle Assy. 7501 T5, T6			
	697724	Spindle Assy. 7511 T6, T7			
	697725	Spindle Assy. 7514 T6, T7			
	691846	Spindle Assy (7501 T3, T4)			
	695148	Spindle Assy (7511 T4, T5)			
	695149	Spindle Assy (7514 T4, T5)			
	691850	Spindle Assy (7511 T3)			
	691851	Spindle Assy (7514 T3)			
	864983	Spindle Assy (7501 T1, T2)			
	865266	Spindle Assy (7511 T1, T2)			
	867936	Spindle Assy (7514 T1, T2)			

SWITCH RETAINING PLUG MODEL 7501

Originally, this tool incorporated a rubber plug #810425 in the handle which pressed against the body of the switch. It was found that this distorted the switch, and in some cases, caused the switch to malfunction.

Inspect any model of this type that is brought in for repair and remove this plug. The handle halves will hold the switch without the plug.

WIRING DIAGRAM



BRUSH HOLDERS, INSULATORS, MOTOR HOUSING (7501 T2 - T4, 7511/7514 T2 - T5)

Current motor housings have brush holder alignment pins molded onto them. Brush holders and brush holder insulators have corresponding holes. Current brush holders and insulators may be used on early housings. When replacing an early housing - replace the brush holders and insulators, also.

MOTOR HOUSING/SCREWS (7501 T5, 7511 T6, 7514 T6)

Early motor housings had threaded inserts molded in for gear housing screws and field screws. Current motor housings do not have inserts and require self-tapping screws.

Service replacement housings will be the current type and will include the necessary self-tapping screws.