



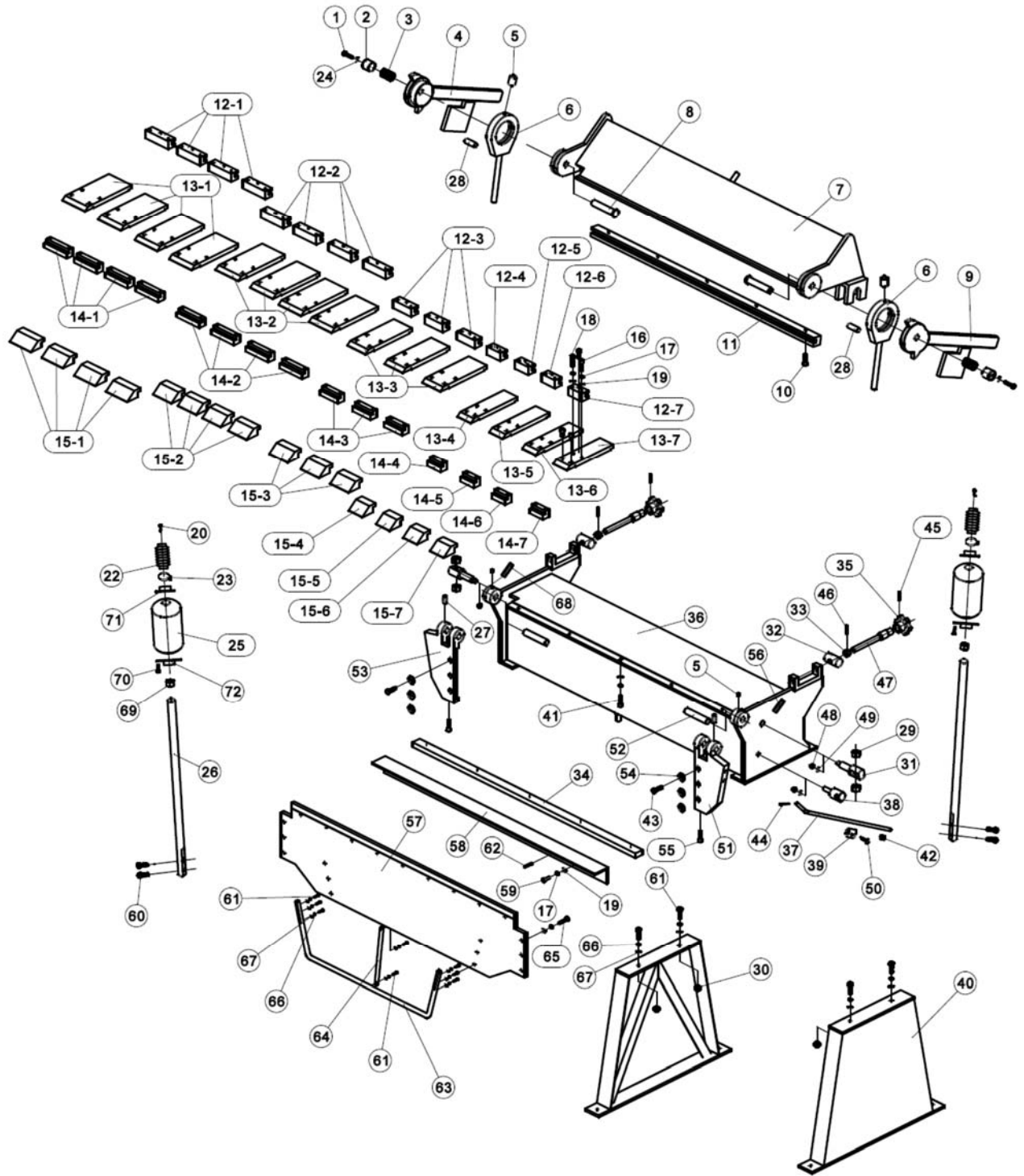
Operating Instructions and Parts Manual
16 ga. x 100 in. Box and Pan Brake
Model BPF-16100



JET
427 New Sanford Road
LaVergne, Tennessee 37086
Ph.: 800-274-6848
www.jettools.com

Part No. M-754115
Edition 3 08/2018
Copyright © 2015 JET

8.1.1 BPF-16100 Floor Box and Pan Brake – Exploded View



8.1.2 BPF-16100 Floor Box and Pan Brake – Parts List

Index No	Part No	Description	Size	Qty
1	F008836	Hex Cap Screw	M10x25	2
2	BPF16100-02	Spring Cover		2
3	BPF16100-03	Spring		2
4	BPF16100-04	Clamp Handle (LH)		1
5	BPF1248-05	Zerk Fitting		4
	BPF16100-06A	Yoke Assembly (includes #5,6,28)		2
6		Yoke		2
7	BPF16100-07	Hold-Down Assembly		1
8	BPF16100-08	Shaft		2
9	BPF16100-09	Clamp Handle (RH)		1
10	F005432	Socket Head Cap Screw	M10x45	10
11	BPF16100-11	Long Press A		1
12-1	BPF16100-12-1	Joint Open	12"	4
12-2	BPF16100-12-2	Joint Open	6"	4
12-3	BPF16100-12-3	Joint Open	5"	3
12-4	BPF16100-12-4	Joint Open	4"	1
12-5	BPF16100-12-5	Joint Open	3.5"	1
12-6	BPF16100-12-6	Joint Open	3"	1
12-7	BPF16100-12-7	Joint Open	2.5"	1
13-1	BPF16100-13-1	Holder, Finger	12"	4
13-2	BPF16100-13-2	Holder, Finger	6"	4
13-3	BPF16100-13-3	Holder, Finger	5"	3
13-4	BPF16100-13-4	Holder, Finger	4"	1
13-5	BPF16100-13-5	Holder, Finger	3.5"	1
13-6	BPF16100-13-6	Holder, Finger	3"	1
13-7	BPF16100-13-7	Holder, Finger	2.5"	1
14-1	BPF16100-14-1	Washer, Finger	12"	4
14-2	BPF16100-14-2	Washer, Finger	6"	4
14-3	BPF16100-14-3	Washer, Finger	5"	3
14-4	BPF16100-14-4	Washer, Finger	4"	1
14-5	BPF16100-14-5	Washer, Finger	3.5"	1
14-6	BPF16100-14-6	Washer, Finger	3"	1
14-7	BPF16100-14-7	Washer, Finger	2.5"	1
15-1	BPF16100-15-1	Finger	12"	4
15-2	BPF16100-15-2	Finger	6"	4
15-3	BPF16100-15-3	Finger	5"	3
15-4	BPF16100-15-4	Finger	4"	1
15-5	BPF16100-15-5	Finger	3.5"	1
15-6	BPF16100-15-6	Finger	3"	1
15-7	BPF16100-15-7	Finger	2.5"	1
16	F005436	Socket Head Cap Screw	M10x65	30
17	F002116	Lock Washer	10 mm	42
18	F005428	Socket Head Cap Screw	M10x25	15
19	F002643	Flat Washer	10 mm	42
20	F005381	Socket Head Cap Screw	M6x12	2
22	BPF1248-02	Sleeve		2
23	BPF16100-23	Clamp		2
24	BPF16100-24	Flat Washer		2
25	BPF16100-25	Counterweight Assembly		2
26	BPF16100-26	Rod		2
27	F010405	Socket Set Screw	M6x20	4
28	BPF16100-28	Stop Pin		2
29	F003091	Hex Nut	M20	4
30	F003084	Hex Nut	M12	4
31	BPF16100-31	Swivel Pin Assembly		2
32	BPF1248-32	Adjusting Nut		2
33	BPF1248-33	Stop Nut		2
34	BPF16100-34	Long Press B		1
35	BPF1248-35	Knob		2
36	BPF16100-36	Base Assembly		1

Index No	Part No	Description	Size	Qty
37	BPF1248-37	Stop Rod		1
38	BPF1248-38	Stop Rod Pin		1
39	BPF1248-39	Stop Collar		1
40	BPF16100-40	Stand		2
41	F005431	Socket Head Cap Screw	M10x40	10
42	F003084	Hex Nut	M12	1
43	F009542	Hex Cap Screw	M12x40	6
44	F003910	Cotter Pin	3x40 mm	1
45	BPF1248-45	Round Pin	4x40 mm	2
46	BPF1248-46	Round Pin	6x30 mm	2
47	BPF16100-47	Lead Screw		2
48	F003088	Hex Nut	M16	2
49	F009542	Flat Washer	16 mm	2
50	BPF16100-50	Special Bolt	M8x25	1
	BPF16100-51A	Hinge Assembly (RH) (includes #27,51,73)		1
51		Hinge (RH)		1
52	BPF16100-52	Hinge Pin		2
	BPF16100-53A	Hinge Assembly (LH) (includes #27,53,73)		
53		Hinge (LH)		1
54	BPF16100-54	Special Washer		6
55	F005429	Socket Head Cap Screw	M10x30	2
56	BPF16100-56	Scale (RH)		1
57	BPF16100-57	Apron Assembly		1
58	BPF16100-58	Insert Bar		1
59	F005429	Socket Head Cap Screw	M10x30	12
60	F010423	Socket Set Screw	M12x12	4
61	F009545	Hex Cap Screw	M12x45	12
62	BPF16100-62	Round Pin	8x25 mm	4
63	BPF16100-63	Handle		1
64	BPF16100-64	Center Brace		1
65	F009542	Hex Cap Screw	M12x40	6
66	F002118	Lock Washer	12 mm	12
67	F002646	Flat Washer	12 mm	12
68	BPF16100-68	Scale (L.H)		1
69	BPF1248-71	Hex Nut		2
70	F005383	Socket Head Cap Screw	M6x20	2
71	BPF1248-72	Special Nut A		2
72	BPF1248-69	Special Nut B		2
73	BPF1248-75	Scale Pointer (not shown)		1
	F012226	Hex Key (not shown)	6mm	1
	LM000080	ID Label, BPF-16100 (not shown)		1
	LM000133	Warning Label (not shown)		1
	JET-203	JET Logo with adhesive (not shown)	203 x 84mm	1

Some parts are shown for reference only, and may not be available individually.

Non-proprietary parts, such as fasteners, can usually be found at local hardware stores, or may be ordered from JET.