



Operating Instructions and Parts Manual 72-inch Box and Pan Brakes

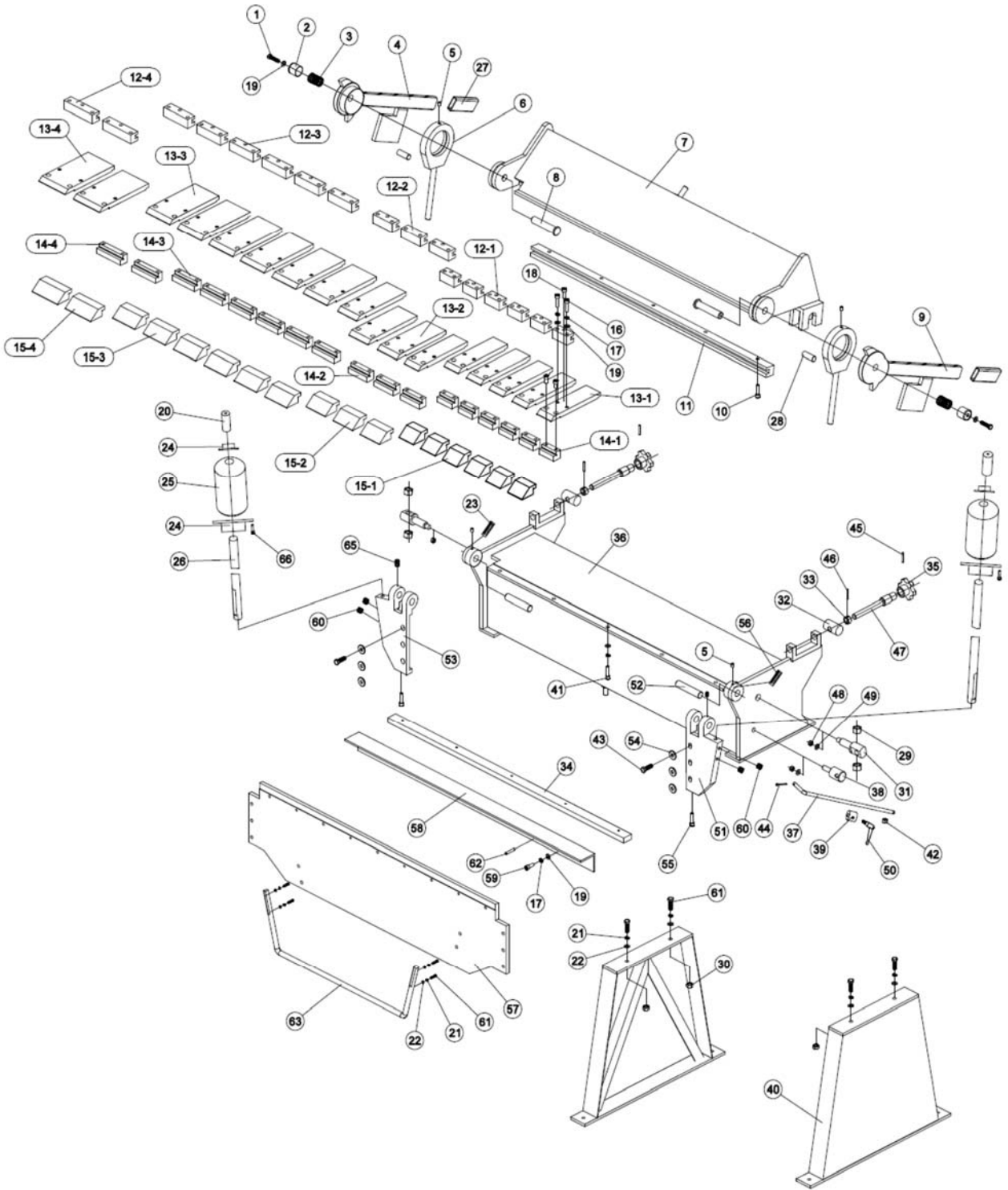
Models BP-1272 and BP-1672



JET
427 New Sanford Road
LaVergne, Tennessee 37086
Ph.: 800-274-6848
www.jettools.com

Part No. M-754125
Edition 3 08/2018
Copyright © 2018 JET

8.1.1 BP-1272/1672 Box and Pan Brakes – Exploded View



8.1.2 BP-1272/1672 Box and Pan Brakes – Parts List

Index No	Part No	Description	Size	Qty
1	F008836	Hex Cap Screw	M10x25	2
2	BPF16100-02	Spring Cover		2
3	BPF16100-03	Spring		2
4	BPF16100-04	Clamp Handle (LH)		1
5	BPF1248-05	Zerk Fitting		4
	BP1272-06A	Yoke Assembly (includes #5,6,28)		2
6		Yoke		2
7	BP1272-07	Hold Down Assembly		1
	BP1672-07	Hold Down Assembly		1
8	BPF16100-08	Shaft		2
9	BPF16100-09	Clamp Handle (RH)		1
10	F005432	Socket Head Cap Screw	M10x45	7
11	BP1272-11	Long Press A		1
12-1	BP1272-12-1	Joint Open	3"	6
	BP1672-12-1	Joint Open	3"	6
12-2	BP1272-12-2	Joint Open	4"	3
	BP1672-12-2	Joint Open	4"	3
12-3	BP1272-12-3	Joint Open	5"	6
	BP1672-12-3	Joint Open	5"	6
12-4	BP1272-12-4	Joint Open	6"	2
	BP1672-12-4	Joint Open	6"	2
13-1	BP1272-13-1	Holder, Finger	3"	6
	BP1672-13-1	Holder, Finger	3"	6
13-2	BP1272-13-2	Holder, Finger	4"	3
	BP1672-13-2	Holder, Finger	4"	3
13-3	BP1272-13-3	Holder, Finger	5"	6
	BP1672-13-3	Holder, Finger	5"	6
13-4	BP1272-13-4	Holder, Finger	6"	2
	BP1672-13-4	Holder, Finger	6"	2
14-1	BP1272-14-1	Washer, Finger	3"	6
	BP1672-14-1	Washer, Finger	3"	6
14-2	BP1272-14-2	Washer, Finger	4"	3
	BP1672-14-2	Washer, Finger	4"	3
14-3	BP1272-14-3	Washer, Finger	5"	6
	BP1672-14-3	Washer, Finger	5"	6
14-4	BP1272-14-4	Washer, Finger	6"	2
	BP1672-14-4	Washer, Finger	6"	2
15-1	BP1272-15-1	Finger	3"	6
	BP1672-15-1	Finger	3"	6
15-2	BP1272-15-2	Finger	4"	3
	BP1672-15-2	Finger	4"	3
15-3	BP1272-15-3	Finger	5"	6
	BP1672-15-3	Finger	5"	6
15-4	BP1272-15-4	Finger	6"	2
	BP1672-15-4	Finger	6"	2
16	F005437	Socket Head Cap Screw	M10x70	34
17	F002116	Lock Washer	10 mm	43
18	F005428	Socket Head Cap Screw	M10x25	17
19	F002643	Flat Washer	10 mm	45
20	BP1272-20	Sleeve		2
21	F002118	Lock Washer	12 mm	8
22	F002646	Flat Washer	12 mm	8
23	BPF16100-68	Scale (LH)		1
24	BP1272-24	Nut		4
25	BP1272-25	Counter Weight Assembly		2
26	BP1272-26	Rod		2
27	BP1272-27	Rubber grip		2
28	BP1272-28	Stop Pin		2
29	F003091	Hex Nut	M20	4
30	F003084	Hex Nut	M12	4

Index No	Part No	Description	Size	Qty
31	BPF16100-31	Swivel Pin Assembly		2
32	BPF1248-32	Adjusting Nut		2
33	BPF1248-33	Stop Nut		2
34	BP1272-34	Long Press B		1
35	BPF1248-35	Knob		2
36	BP1272-36	Base Assembly		1
	BP1672-36	Base Assembly		1
37	BPF1248-37	Stop Rod		1
38	BPF1248-38	Stop Rod Pin		1
39	BPF1248-39	Stop Collar		1
40	BPF1248-70	Stand		2
41	F005432	Socket Head Cap Screw	M10x45	7
42	F003084	Hex Nut	M12	1
43	F009542	Hex Cap Screw	M12x40	6
44	F003910	Cotter Pin	3x40 mm	1
45	BPF1248-45	Round Pin	4x40 mm	2
46	BPF1248-46	Round Pin	6x30 mm	2
47	BPF16100-47	Lead Screw		2
48	F003088	Hex Nut	M16	3
49	F009542	Flat Washer	16 mm	3
50	BP1272-50	Handle		1
	BP1272-51A	Hinge Assembly (RH) (includes #51,64,65)		1
51	BPF16100-51	Hinge (RH)		1
52	BPF16100-52	Hinge Pin		2
	BP1272-53A	Hinge Assembly (LH) (includes #53,64,65)		1
53	BPF16100-53	Hinge (LH)		1
54	BPF1248-54	Special Washer		6
55	F005429	Socket Head Cap Screw	M10x30	2
56	BPF16100-56	Scale (RH)		1
57	BP1272-57	Apron Assembly		1
	BP1672-57	Apron Assembly		1
58	BP1272-58	Insert Bar		1
59	F005430	Socket Head Cap Screw	M10x35	9
60	F010423	Socket Set Screw	M12x12	4
61	F009545	Hex Cap Screw	M12x45	8
62	BPF16100-62	Round Pin	d8x25 mm	4
63	BP1272-63	Bend Handle		1
64	BPF1248-75	Scale Pointer (not shown)		1
65	TS-1525031	Socket Set Screw	M10x16	4
66	F005383	Socket Head Cap Screw	M6x20	2
	LM000216	ID/Warning Label, BP-1272 (not shown)		1
	LM000217	ID/Warning Label, BP1672 (not shown)		1
	JET-203	JET Logo (not shown)	203 x 84mm	1