

Type: RDG, 18-3b
Part no.: 75602400005

Item	Part no.	Designation	Quantity
10	31207063009	Housing	1
15	31207063030	Gearbox	1
20	43043001009	Screw	1
30	43035032065	Cylinder head screw	6
40	32419057000	Cover	1
50	40612015004	Sealing ring	1
60	32624012022	Disc 0.1	2
60	32624012038	Disc 0.3	2
70	41723002010	Inclined ball bearing	2
80	41701016011	Grooved ball bearing	1
90	32408211003	Disc	1
100	42616022006	Circlip	1
110	33804011006	Gear-wheel	1
120	43035009044	Cylinder head screw	6
130	40608000008	Sealing ring	1
140	40612018009	Sealing ring	1
150	32601165003	Ring	1
160	32601167000	Ring	1
170	32624070024	Disc	2
180	32624080023	Disc	2
190	32601168008	Ring	1
200	32601166006	Ring	1
220	40612021004	Sealing ring	1
230	32419062006	Cover	1

Type: RDG, 18-3b
Part no.: 75602400005

Item	Part no.	Designation	Quantity
240	32408452000	Disc	1
250	43035031062	Cylinder head screw	3
260	41713006007	Tapered roller bearing	2
270	33805006000	Worm	1
280	32601169002	Ring	1
290	32624071039	Disc 0.3	2
290	32624071023	Disc 0.1	2
300	41713008009	Tapered roller bearing	2
310	43035086069	Cylinder head screw	6
320	32419060004	Cover	1
330	41723001017	Inclined ball bearing	2
340	32624084027	Disc 0.1	2
340	32624084011	Disc 0.05	1
340	32624084033	Disc 0.3	2
350	42008021008	Nut	1
360	32601170004	Ring	1
370	30905022007	Cup spring	8
380	40201041003	Straight pin	1
390	32601171003	Ring	1
400	33807013000	Worm	1
410	41701222016	Grooved ball bearing	1
420	32624019027	Disc 0.1	8
420	32624019011	Disc 0.05	1
430	40612022007	Sealing ring	1

Type: RDG, 18-3b
Part no.: 75602400005

Item	Part no.	Designation	Quantity
440	32419056006	Cover	1
450	33406099006	Shaft	1
460	40221044000	Feather key	2
470	30503064001	Sleeve	1
480	40612016007	Sealing ring	1
490	32408191009	Disc	1
500	32624072032	Disc 0.3	2
500	32624072026	Disc 0.1	2
510	40608026009	Sealing ring	2
520	41723003014	Inclined ball bearing	2
530	43035005045	Cylinder head screw	12
540	40612019003	Sealing ring	2
550	32419061003	Cover	2
560	41701017015	Grooved ball bearing	1
590	33406098002	Shaft	1
600	40221050005	Feather key	1
620	42003009007	Hex nut	1
630	32408188004	Disc	2
640	32408187006	Disc	3
650	33806003000	Worm	1
660	33807009002	Worm	1
670	33806005002	Worm	1
680	33807011003	Worm	1
710	32433027008	Plate	1

Type: RDG, 18-3b
Part no.: 75602400005

Item	Part no.	Designation	Quantity
720	32715112003	Mounting shaft	1
725	43033083066	Cylinder head screw	3
730	30520068017	Delivery fixture	1
740	32715069041	Clamping unit	2
750	43048054109	Hexagon socket screw	4
760	42401017104	Disc	4
770	32415059008	Disc	4
780	32715115009	Hook and loop wheel	4
790	30217317004	Bolt	2
800	33406279012	Hinge	2
810	30501340005	Sleeve	2
820	42616023000	Circlip	6
830	32715118013	Crossbar	1
840	43033083066	Cylinder head screw	23
850	30217213009	Bolt	1
860	30217316000	Bolt	1
870	41711021008	Inclined ball bearing	4
880	32408378007	Disc	2
890	32715117006	Disc	2
900	32715122002	Sleeve	2
910	32715116002	Hook and loop wheel	2
920	43035097059	Cylinder head screw	8
930	32408374008	Disc	2
940	43001041105	Hexagon socket screw	2

Type: RDG, 18-3b
Part no.: 75602400005

Item	Part no.	Designation	Quantity
950	32429120000	Cover	1
970	43035037068	Cylinder head screw	3
980	32715113016	Pair of side plates	1
990	30240361010	Crossbar	1
1000	42401020139	Disc	2
1010	42001034120	Hex nut	2
1020	33021098000	Thread bolt	2
1030	42616013001	Circlip	2
1040	33406283010	Shaft	1
1050	32715120000	Disc	1
1060	42616044006	Circlip	1
1070	33406336000	Shaft	1
1080	32408376005	Disc	2
1090	30501339003	Sleeve	1
1100	30509052000	Hex nut	1
1110	32715121009	Disc	1
1120	43012051122	Screw	6
1130	30217314003	Bolt	1
1140	43033084045	Cylinder head screw	1
1150	33021097002	Thread bolt	1
1160	30509019010	Hinge	1
1170	31810234000	Safety hood	1
1180	43007059080	Stud bolt	1
1190	42401019085	Disc	1

Type: RDG, 18-3b
Part no.: 75602400005

Item	Part no.	Designation	Quantity	Unit
1200	32170002005	Lever	1	9
1210	32215103069	Information sign	1	9
1220	40204001009	Rivet	6	9
1230	32215026007	Information sign	1	9
1240	32215104067	Information sign	1	9
1495	32715055021	Planetary gear	1	9
1500	32715055015	Planetary carrier	1	9
1510	41715016004	Needle cage	2	9
1520	33613071004	Gear-wheel	2	9
1530	43033064066	Cylinder head screw	1	9
1540	32402002000	Disc	1	9
1550	40242017000	Pin	2	9
1610	43035029061	Cylinder head screw	1	9
1620	32402001007	Disc	1	9
1630	30101026001	Clutch part	1	9
1640	40221018002	Feather key	1	9
1650	40612020005	Sealing ring	1	9
1660	31602087007	Bush	2	9
1670	32715114005	Bearing piece	1	9
1680	30520068008	Pipe	1	9
1690	30606008008	Ring	1	9
1700	33406146004	Thread bolt	1	9
2010	75752700016	Motor	1	9
2020	40611006004	Sealing ring	6	9

Type: RDG, 18-3b
Part no.: 75602400005

Item	Part no.	Designation	Quantity
2030	41135002009	Clutch part	1
2040	31415084006	Cap	1
2050	40612017001	Sealing ring	1
2150	31305427000	Cylinder	1
2160	31305428000	Flap	5
2170	31305429000	Cover	1
2180	31305430000	Ring	1
2190	31305431000	Flange	1
2200	31305432000	Seal	1
2210	31305433000	Rotor	1
2220	31305434000	Cylinder head screw	4
2230	31305435000	Cylinder head screw	4
2240	31305436000	Sealing ring	4
2250	31305437000	Grooved ball bearing	2
2260	31305438000	Pin	1
2270	31305439000	Ring	1
2280	31305440000	Sealing ring	1
2290	31305441000	Sealing ring	1
2300	31305442000	Nut	1
2310	31305443000	Regulator	1
2320	31305444000	Hex nut	2
2330	31305445000	Spring	1
2340	31305446000	Regulator	1
2350	31305447000	Regulator	1

Type: RDG, 18-3b
Part no.: 75602400005

Item	Part no.	Designation	Quantity
2360	31305448000	Bearing	1
2370	31305449000	Ball	5
2380	31305450000	Hood	1
2390	31305451000	Air guide	1
2400	31305452000	Silencer	1
2410	31305453000	Sealing ring	1
2420	31305454000	Sealing ring	1
2430	31305455000	Sealing ring	1
3000	32715069013	Clamping sleeve	1
3010	32715071005	Bolt	1
3020	30905023001	Cup spring	18
3030	32601172006	Ring	3
3040	40247005009	Pin	1
3050	43040004165	Ring bolt	1
3060	32624078049	Disc	4
3070	42616048005	Circlip	1
3080	43040005004	Ring bolt	1
4000	32715129020	Maintenance unit	1
4010	41136004006	Clutch part	1
4040	41129005005	Nipple	1
4050	41120002003	Distributor	1
4060	41140010002	Clutch part	1
4070	41115003006	Plug 1 "	1
4080	40612162002	Sealing ring	2

Type: RDG, 18-3b
Part no.: 75602400005

Item	Part no.	Designation	Quantity
4085	34300000015	Connecting piece	2
4090	34300000032	Container Oel/Oil	1
4100	34300000021	Valve	1
4110	34300000024	Seal Set	2
4120	34300000023	Connector Set	2
4130	34300000019	Distributor	1
4140	34300000033	Container Air	1
4150	34300000017	Filter	1
4160	34300000016	Filter Set	1
4170	34300000020	Valve Set	1
4180	34300000014	Housing Set	1
5000	31414001023	Hose	1
5010	41135006008	Clutch part	1
5020	41136020000	Clutch	1
5030	30234035004	Terminal	2
5040	31414001008	Hose	1
5050	41109004009	Stopcock 2 "	1
5060	41138028001	Nipple	1
5200	33901031001	Tool case	1
5300	32122007017	Crank	1
5450	63305006008	Splitter wedge	10
5500	62901016002	Jaw spanner SW46	1
5600	62903010006	Single head wrench	1
5700	62911010000	Ring spanner 17x19	1

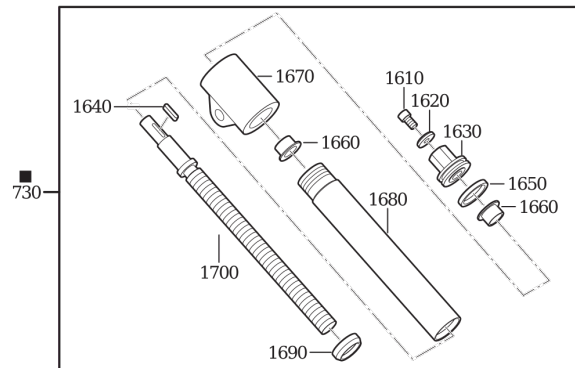
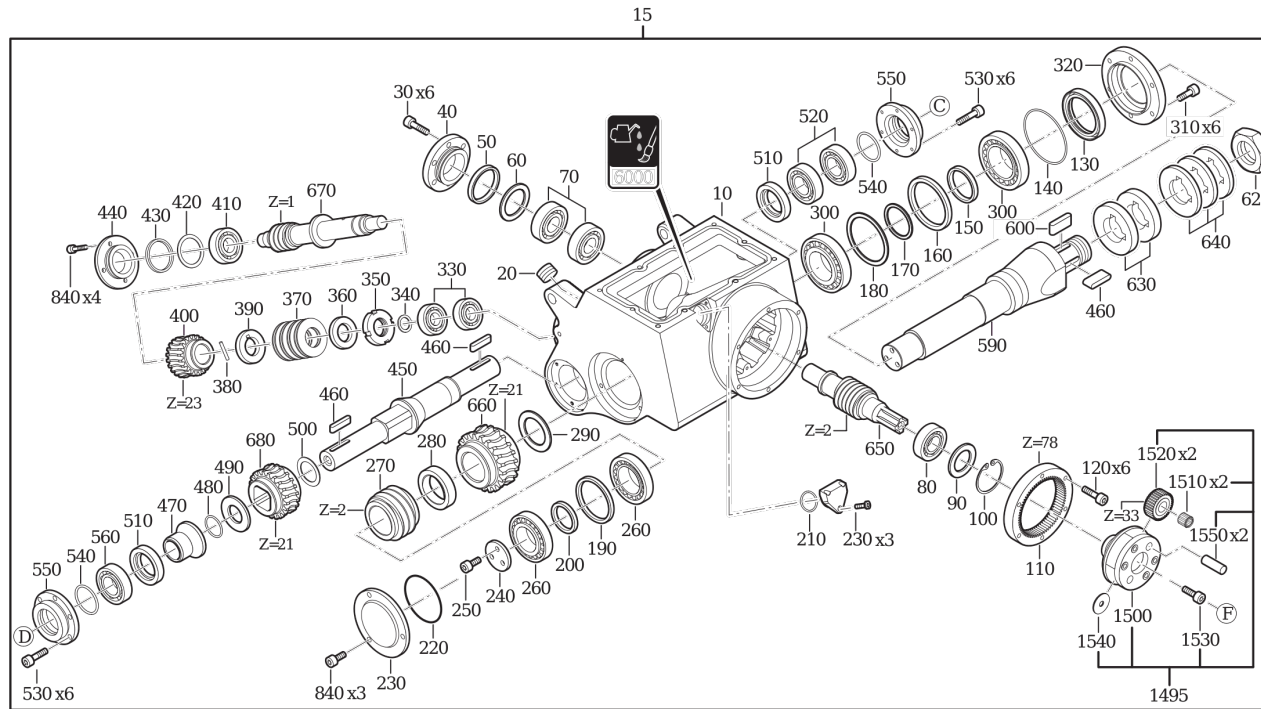
Type: RDG, 18-3b
Part no.: 75602400005

Item	Part no.	Designation	Quantity
5800	62906014000	Pipe socket wrench	1
5900	30231029002	ROLLER CHAIN	10
6000	30217216004	Bolt	20
6100	42634020005	Circlip	40
6300	32174009001	Wrist strap	1
6400	32174010003	Wrist strap	1

Type:
Part no.:

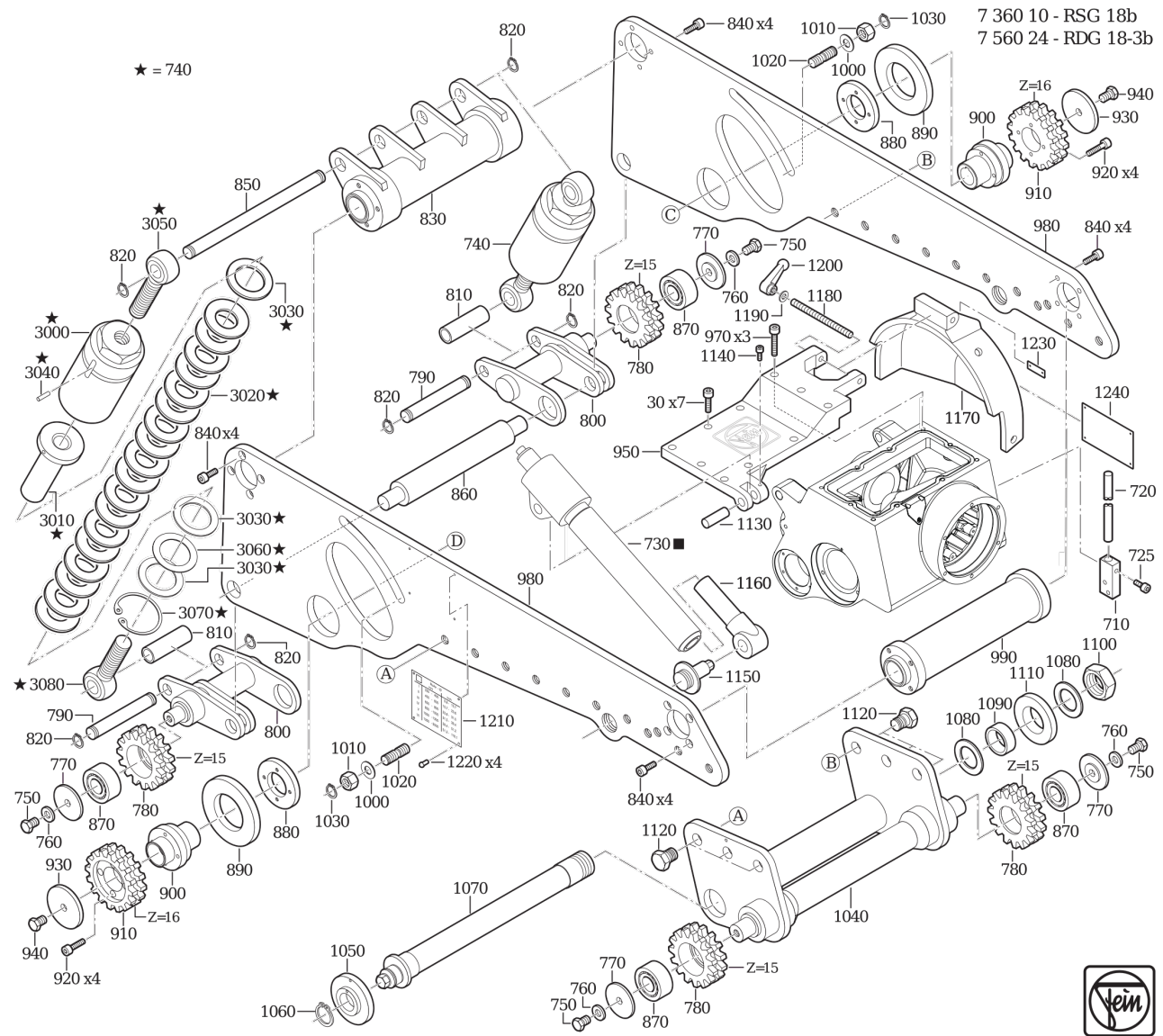
RDG, 18-3b
75602400005

7 360 10 - RSG 18b
7 560 24 - RDG 18-3b



Type:
Part no.:

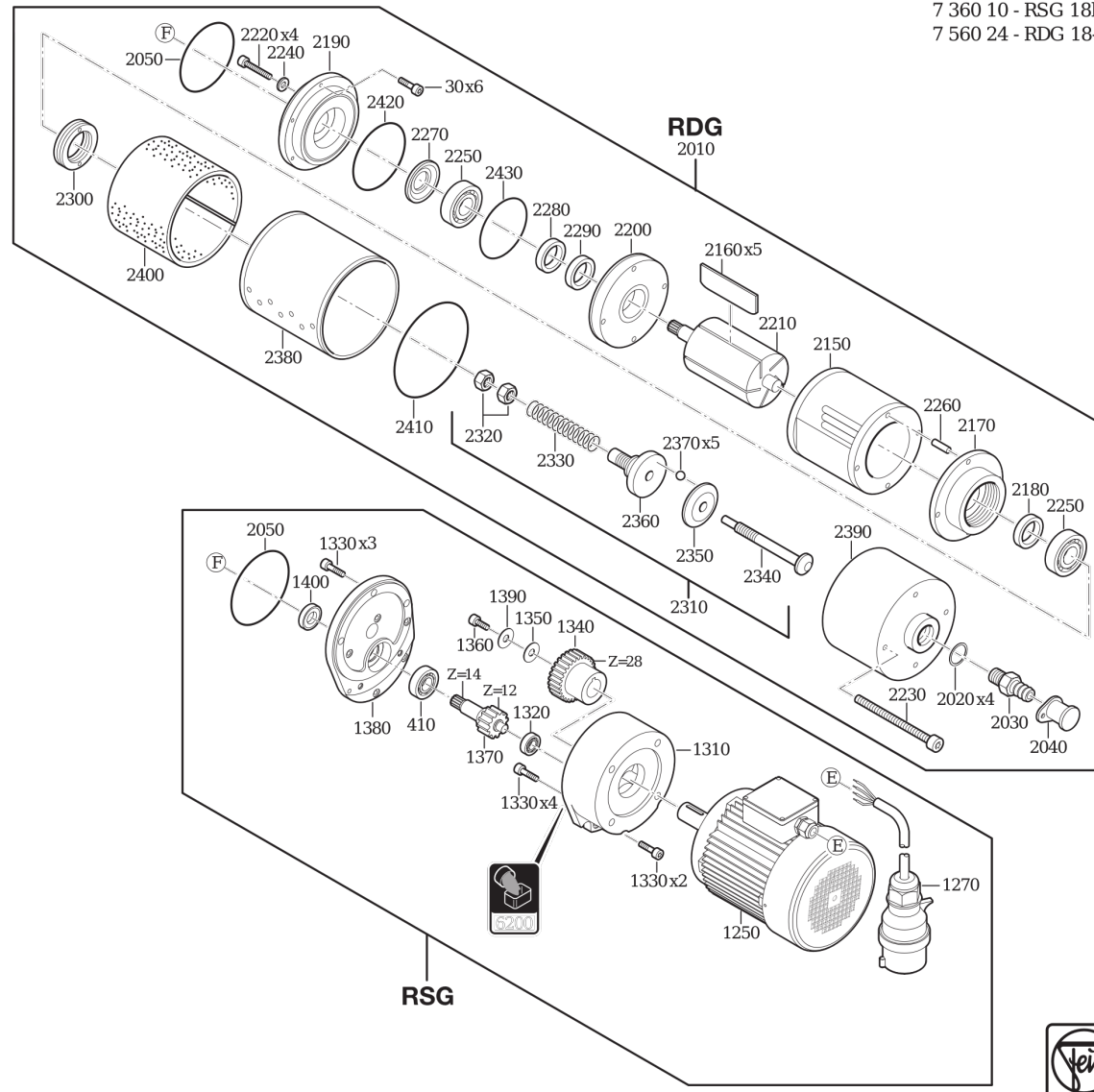
RDG, 18-3b
75602400005



Type:
Part no.:

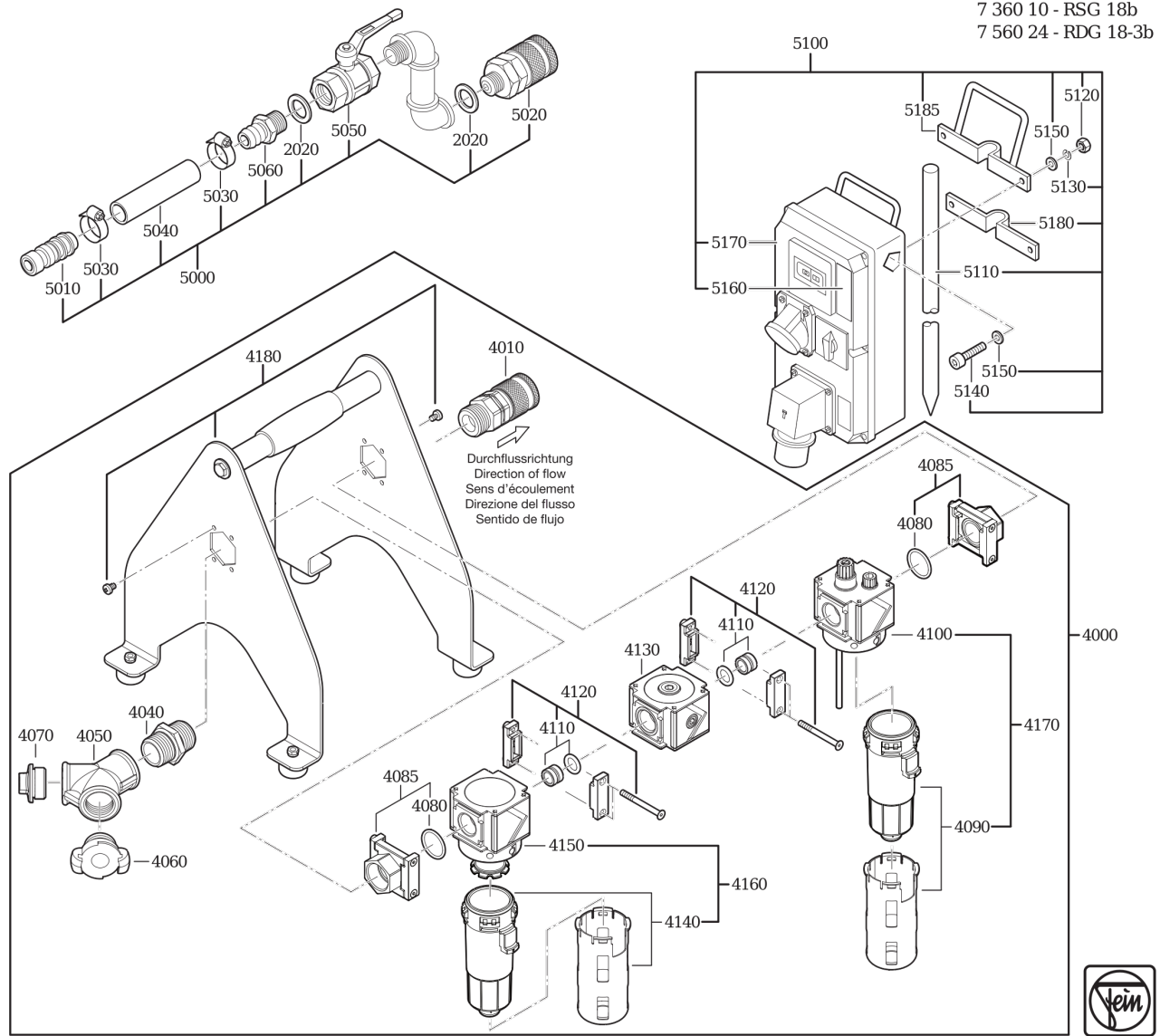
RDG, 18-3b
75602400005

7 360 10 - RSG 18b
7 560 24 - RDG 18-3b



Type:
Part no.:

RDG, 18-3b
75602400005



Type:
Part no.:

RDG, 18-3b
75602400005

7 360 10 - RSG 18b
7 560 24 - RDG 18-3b

