



Operating Instructions and Parts Manual

14ga. x 60in. Electric Plate Roller

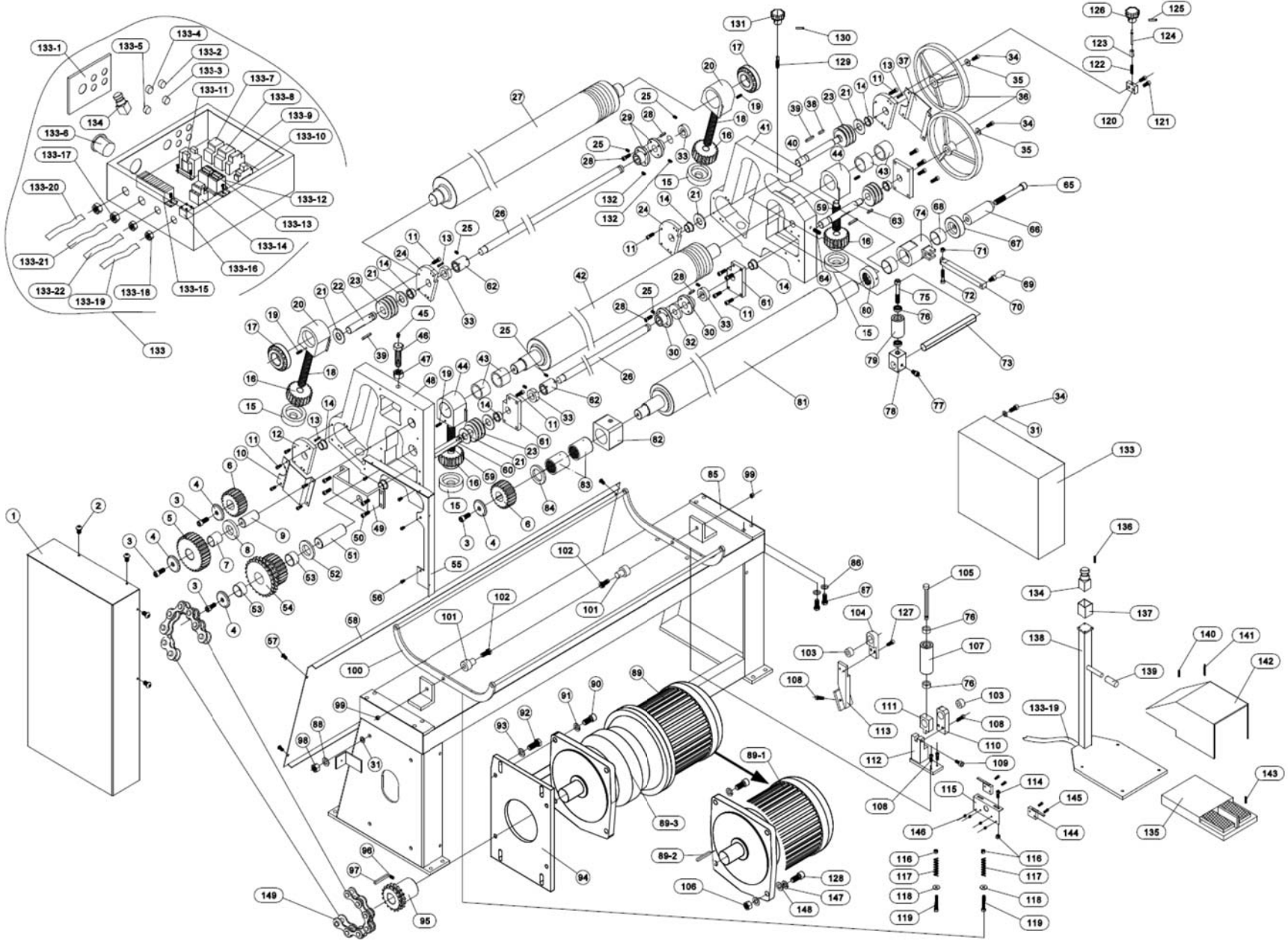
Model EPR-1460-3



JET
427 New Sanford Road
LaVergne, Tennessee 37086
Ph.: 800-274-6848
www.jettools.com

Part No. M-756030
Edition 2 08/2018
Copyright © 2016 JET

13.1.1 EPR-1460 Electric Plate Roller – Exploded View



13.1.2 EPR-1460 Electric Plate Roller – Parts List

Index No.	Part No.	Description	Size	Qty
1	EPR1460-1	Side Cover		1
2	TS-2246102	Socket Head Button Screw	M6x10	5
3	TS-1492021	Hex Cap Screw	M12x30	3
4	EPR1460-4	Pad		3
5	EPR1460-5	Big Gear	25T	1
6	EPR1460-6	Small Gear	20T	2
7	EPR1460-7	Bushing	ø35xø39x40 mm	1
8	EPR1460-8	Pad		1
9	EPR1460-9	Shaft		1
10	EPR1460-10	Cover LH		1
11	TS-1503041	Socket Head Cap Screw	M6X16	28
12	EPR1460-12	Plate		1
13	AP2-16	Spring pin	6x25mm	2
14	EPR1460-14	Bushing		8
15	EPR1460-15	Supporting Sleeve		4
16	EPR1460-16	Worm Gear		4
17	EPR1460-17	Spherical Plain Bearing	GE45DS	2
18	EPR1460-18	Lead Screw		2
19	F010433	Socket Set Screw	M8X40	4
20	EPR1460-20	Adjusting Block		2
21	EPR1460-21	Pad		8
22	EPR1460-22	Worm Shaft		1
23	EPR1460-23	Worm		4
24	EPR1460-24	Plate		2
25	130604040	Spring Pin	4X40 mm	4
26	EPR1460-26	Transmission Shaft		2
27	EPR1460-27	Rear Roll		1
28	EPR1460-28	Key	6x25 mm	4
29	EPR1460-29	Trans Shaft Bushing A		2
30	EPR1460-30	Trans Shaft Bushing B		2
31	TS-155010	Flat Washer	16mm	4
32	EPR1460-32	Pad		1
33	EPR1460-33	Joint Bushing		4
34	TS-1504041	Socket Head Cap Screw	M8x20	6
35	EPR1460-35	Washer		2
36	EPR1460-36	Handwheel		2
37	EPR1460-37	Cover RH		1
38	5508737	Double Round Head Key	8x8X25 mm	2
39	ESR1650T-41	Double Round Head Key	8x8X45 mm	4
40	EPR1460-40	Worm Shaft		1
41	EPR1460-41	Right Support		1
42	EPR1460-42	Lower Roll		1
43	EPR1460-43	Bushing	ø35xø39x30 mm	4
44	EPR1460-44	Adjusting block		2
45	EPR1460-45	Oil fitting	Φ8 x1 mm	1
46	EPR1460-46	Bolt		1
47	TS-2310201	Hex Nut	M20	1
48	EPR1460-48	Left Support		1
49	EPR1460-49	Support Plate		1
50	TS-1504051	Socket Head Cap Screw	M8X25	4
51	EPR1460-51	Shaft		1
52	EPR1460-52	Pad		1
53	EPR1460-53	Bushing	ø40xø44x25	2
54	EPR1460-54	Large Sprocket	P=15.875, Z=26	1
55	EPR1460-55	Connecting Rack		1
56	TS-2246122	Socket Head Button Screw	M6X12	4
57	TS-2248162	Socket Head Button Screw	M8X16	4
58	EPR1460-58	Apron		1
59	EPR1460-59	Small Lead Screw		2
60	EPR1460-60	Worm Shaft		1

Index No.	Part No.	Description	Size	Qty
61	EPR1460-61	Plate		2
62	EPR1460-62	Trans Shaft Bushing		2
63	EPR1460-63	Worm Shaft		1
64	TS-2279301	Socket Set Screw	M10X30	1
65	F005505	Socket Head Cap Screw	M16x130	1
66	EPR1460-66	Hand Grip		1
67	EPR1460-67	Joint Bushing		1
68	EPR1460-68	Bushing	Ø35xØ39x30 mm	2
69	EPR1460-69	Turning Handle		1
70	EPR1460-70	Pull Rod		1
71	TS-1541031	Hex Nut, Nylon Lock	M8	1
72	TS-1504091	Socket Hd Cap Screw	M8x45	1
73	EPR1460-73	Shaft		1
74	EPR1460-74	Lock sleeve		1
75	TS-1506071	Socket Head Cap Screw	M12X50	1
76	BB-6001ZZ	Bearing	6001-2Z	4
77	TS-1505011	Socket Head Cap Screw	M10X16	1
78	EPR1460-78	Sliding Block		1
79	EPR1460-79	Guide Roller, Short		1
80	EPR1460-30	Bushing		1
81	EPR1460-81	Upper Roll		1
82	EPR1460-82	Adjusting Block		1
83	EPR1460-83	Bushing	Ø35xØ39x30 mm	2
84	EPR1460-84	Pad		1
85	EPR1460-85	Stand		1
86	TS-2360121	Flat Washer	12mm	8
87	TS-1492021	Hex Cap Screw	M12x30	8
88	TS-2361161	Lock Washer	16mm	4
89	EPR1460-89	Reduction Box & Motor Ass.		1
	EPR1460-89-1	Motor, 230/460V-3PH	1.5kW, 4P	1
	EPR1460-89-2	Key	8x30 mm	1
	EPR1460-89-3	Reduction Box		1
	EPR1460-89-4	Motor Fan Cover (not shown)		1
	EPR1460-89-5	Motor Fan (not shown)		1
	EPR1460-89-6	Junction Box (not shown)		1
	EPR1460-89-7	Junction Box Cover (not shown)		1
90	F005491	Socket Head Cap Screw	M16x35	4
91	TS-2361161	Lock Washer	16 mm	4
92	F009602	Hex Cap Screw	M16x40	4
93	TS-155010	Flat Washer	16 mm	8
94	EPR1460-94	Support plate		1
95	EPR1460-95	Small Sprocket	P=12.875, Z=17	1
96	EPR1460-96	Lock screw	M8x16	2
97	EPR1460-97	Key	12x45	1
98	TS-2311161	Hex Nut	M16	4
99	TS-1540061	Hex Nut	M8	2
100	EPR1460-100	Safety brake		1
101	EPR1460-101	Sleeve		2
102	TS-1490071	Hex Cap Screw	M8x40	2
103	EPR1460-103	Sleeve	2520	2
104	EPR1460-104	Adjusting plate		1
105	EPR1460-105	Screw	M12x125	1
106	TS-2311101	Hex Nut	M10	4
107	EPR1460-107	Guide Roller, Long		1
108	TS-1503051	Socket Head Cap Screw	M6x20	6
109	EPR1460-109	Lock Screw		1
110	EPR1460-110	Adjusting Plate		1
111	EPR1460-111	Limit Block		1
112	EPR1460-112	Seat		1
113	EPR1460-113	Seat		1
114	TS-1503041	Socket Head Cap Screw	M6X16	2
115	EPR1460-115	Support Board		1

Index No.	Part No.	Description	Size	Qty
116	TS-2311061	Hex Nut	M6	2
117	EPR1460-117	Spring		2
118	TS-1550041	Flat Washer	6 mm	2
119	TS-2236801	Socket Head Cap Screw	M6x80	2
120	EPR1460-120	Knob Seat		1
121	TS-1502041	Socket Head Cap Screw	M5x16	2
122	EPR1460-122	Spring		1
123	EPR1460-123	Sleeve		1
124	EPR1460-124	Pin Shaft		1
125	40317-15	Spring Pin	3x14 mm	1
126	EPR1460-126	Lock Handle		1
127	F005670	Socket Head Cap Screw	M6x14	1
128	TS-1505061	Socket Head Cap Screw	M10x40	4
129	EPR1460-129	Lock Bolt		1
130	F012086	Spring Pin	3x25 mm	1
131	EPR1460-131	Star Grip Knob		1
132	TS-1524021	Socket Set Screw	M8X10	4
133	EPR1460-133	Electric Cabinet		1
133-1	EPR1460-133-1	Electric Panel		1
133-2	EPR1460-133-2	White Indicator	KB2-BVB1C 24V	1
133-3	EPR1460-133-3	Green Indicator	KB2-BVB3C 24V	1
133-4	EPR1460-133-4	Start Button	ZB2-BE101C	1
133-5	EPR1460-133-5	Stop Button	ZB2-BE102C	1
133-6	EPR1460-133-6	Power Switch	JFD11-25	1
133-7	EPR1460-133-7	Breaker	3P20A	1
133-8	EPR1460-133-8	Breaker	2P2A	1
133-9	EPR1460-133-9	Breaker	1P1A	1
133-10	EPR1460-133-10	Intermediate Relay	JZX-22F/2E AC24V	1
133-11	EPR1460-133-11	Transformer	JBR5-60 220V/440/24V	1
133-12	EPR1460-133-12	A.C. Contactor	CN63A1a	2
133-13	EPR1460-133-13	Supplementary Contactor	CNA-422M	2
133-14	EPR1460-133-14	Thermal Relay	RHN-5 3.5-5A	1
133-15	EPR1460-133-15	Junction Terminal	UK3N20A 16P	1
133-16	EPR1460-133-16	Grounding Copper Bar	M4X6	1
133-17	EPR1460-133-17	Strain Relief	M18x1.5	3
133-18	EPR1460-133-18	Hose Adapter		1
133-19	EPR1460-133-19	Flexible Conduit	2m	1
133-20	EPR1460-133-20	Power Cable	16AWG	2.5m
133-21	EPR1460-133-21	Motor Cable	16AWG	2m
133-22	EPR1460-133-22	Cable for Microswitch	18AWG	1.4m
134	EPR1460-134	Emergency Switch Assembly		1
135	EPR1460-135	Pedal Switch Assembly		2
136	EPR1460-136	Set Screw	M6x65	4
137	EPR1460-137	Switch Box		1
138	EPR1460-138	Post		1
139	EPR1460-139	Rubber Grip		1
140	TS-1502071	Socket Head Cap Screw	M5x30	2
141	F005671	Socket Head Cap Screw	M5x95	2
142	EPR1460-142	Box Cover		1
143	TS-1534052	Machine Screw, Pan Head	M6X16	2
144	EPR1460-144	Microswitch		1
145	F001160	Machine Screw, Pan Head	M3x16	4
146	TS-1540011	Hex Nut	M3	4
147	TS-2361101	Lock Washer	10 mm	4
148	TS-1550071	Flat Washer	10 mm	8
149	EPR1460-149	Chain	10A-2x84	1
150	EPR1460-150	Scale (not shown)	metric/imperial	1
	JET-203	JET Logo (not shown)	203x84mm	1
	LM000220	ID Label, EPR-1460 (not shown)		1
	LM000221	Warning Label (not shown)		1

.....EPR1460-TB	Tool Box (not shown – includes following items).....		1
.....	Oil can.....		1
.....	Adjustable wrench		1
.....	Hex Key Set.....		1
.....	Grease Gun		1
.....	Hex Cap Screw.....	M12x45	8
.....	Lock Washer.....	M12	8
.....	Flat Washer	M12	8
.....	Hex Nut.....	M12	8