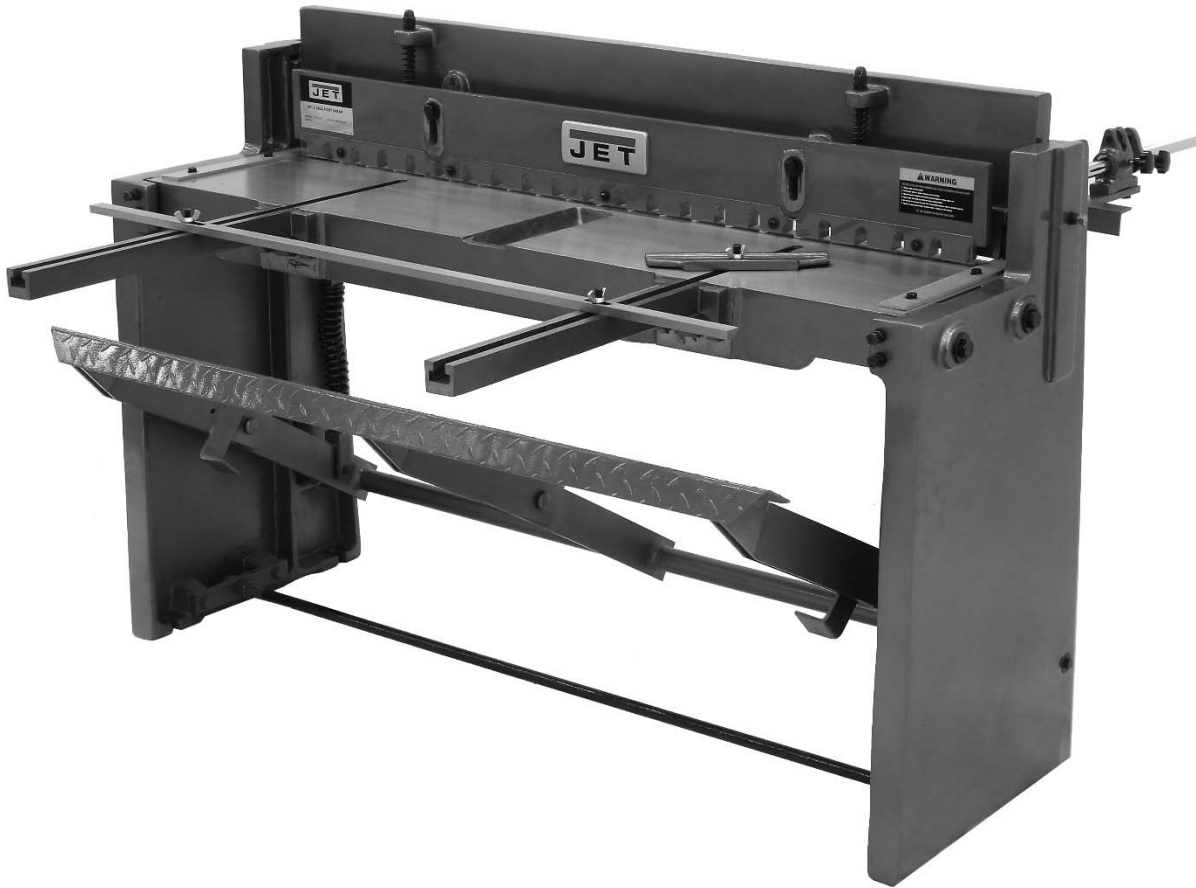




# Operating Instructions and Parts Manual 16 x 52 inch Foot Shear

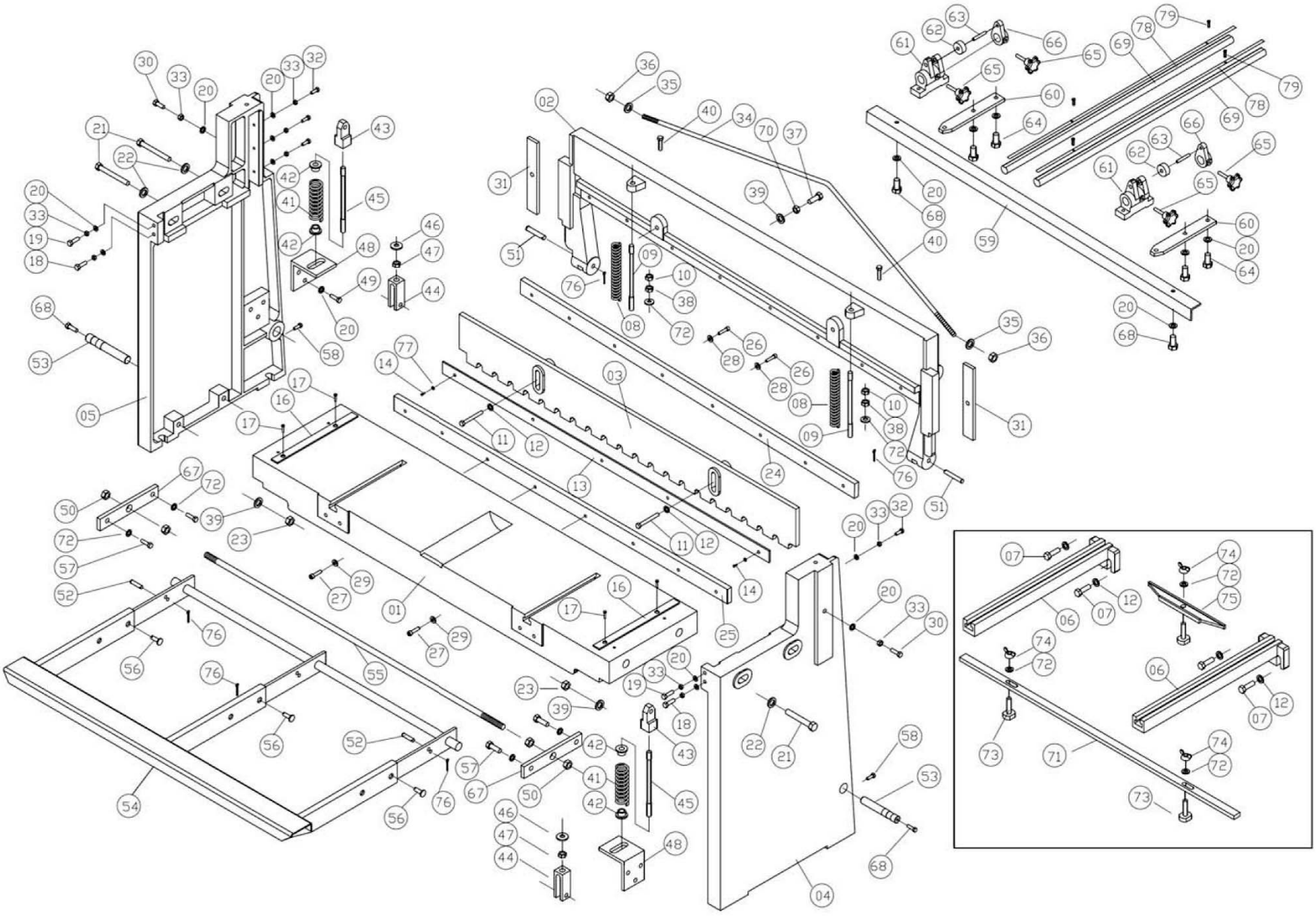
Model FS-1652J



**JET**  
427 New Sanford Road  
LaVergne, Tennessee 37086  
Ph.: 800-274-6848  
[www.jettools.com](http://www.jettools.com)

**Part No. M-756202**  
Edition 2 08/2018  
Copyright © 2015 JET

10.1.1 Exploded View: FS-1652J Foot Shear



## 10.1.2 Parts List: FS-1652J Foot Shear

Index No	Part No	Description	Size	Qty
1	FS1652J-01	Table		1
2	FS1652J-02	Cutter Bar		1
3	FS1652J-03	Hold Down		1
4	FS1652J-04	R.H. Side Panel		1
5	FS1652J-05	L.H. Side Panel		1
6	FS1652J-06	Front Extension Arm		2
7	F009545	Hex Cap Bolt	M12-1.75x45	4
8	FS1652J-08	Spring		2
9	FS1652J-09	Stud		2
10	F004545	Cap Nut	M12-1.75	2
11	F009558	Hex Cap Bolt	M12-1.75x80	2
12	F002646	Flat Washer	ø12xØ24x2.5 mm	6
13	FS1652J-13	Finger Guard		1
14	F001203	Pan Head Machine Screw	M6-1.0x16	5
16	FS1652J-16	Table Scale		2
17	F008791	Hex Cap Bolt	M8-1.25x25	4
18	F009511	Hex Cap Bolt	M10-1.5x60	2
19	F009510	Hex Cap Bolt	M10-1.5x55	2
20	F002643	Flat Washer	ø10xØ20x2 mm	24
21	FS1652J-21	Bolt	M16x120	4
22	F002650	Washer	ø16xØ30x3 mm	4
23	F003088	Hex Nut	M16-2.0	4
24	FS1652J-24	Upper Knife		1
25	FS1652J-25	Lower Knife		1
26	F005432	Socket Head Cap Screw	M10-1.5x45	8
27	F005433	Socket Head Cap Screw	M10-1.5x50	8
28	F002643	Flat Washer	ø10xØ20x2 mm	8
29	F002643	Flat Washer	ø10xØ20x2 mm	8
30	FS1652J-30	Hex Cap Screw (Copper)	M10x50	2
31	FS1652J-31	Gib		2
32	F009511	Hex Cap Bolt	M10-1.5x60	6
33	F003080	Hex Nut	M10-1.5	12
34	FS1652J-34	Rod		1
35	FS1652J-35	Washer	14 mm	2
36	F003087	Hex Nut	M14-2.0	2
37	FS1652J-37	Special Screw	M16-2.0x60	1
38	F003084	Hex Nut	M12-1.75	2
39	F002650	Flat Washer	ø16xØ30x3 mm	5
40	F009503	Hex Cap Bolt	M10-1.5x40	2
41	FS1652J-41	Spring		2
42	FS1652J-42	Spring Cap		4
43	FS1652J-43	Swivel Top		2
44	FS1652J-44	Swivel Bottom		2
45	FS1652J-45	Stud		2
46	F002650	Flat Washer	ø16xØ30x3 mm	2
47	F003126	Hex Nut	M16-2.0	2
48	FS1652J-48	Bracket		2
49	F008836	Hex Cap Bolt	M10-1.5x25	6
50	F003091	Hex Nut	M20-2.5	4
51	FS1652J-51	Pin	Ø12x85 mm	4
52	FS1652J-52	Clevis Pin	Ø12x45 mm	6
53	FS1652J-53	Brake Pin		2
54	FS1652J-54	Pedal Assembly		1
55	FS1652J-55	Connection Bar		1
56	FS1652J-56	Clevis Pin	Ø20x35 mm	3
57	F009542	Hex Cap Bolt	M12-1.75x25	4
58	F008836	Hex Cap Bolt	M10-1.5x25	2
59	FS1652J-59	Back Stop		1
60	FS1652J-60	Extension Bar		2
61	FS1652J-61	Adjusting Block		1

Index No	Part No	Description	Size	Qty
62	FS1652J-62	Adjusting Dial		2
63	FS1652J-63	Adjusting Screw		2
64	F009498	Hex Cap Bolt	M10-1.5x30	4
65	FS1652J-65	Knob		4
66	FS1652J-66	Adjusting Bracket		2
67	FS1652J-67	Plate		2
68	F008832	Hex Cap Bolt	M10-1.5x20	4
	FS1652J-80	Back Stop Rod Assembly (#69, #78, #79)		2
69	FS1652J-69	Back Stop Rod		2
70	F003088	Hex Nut	M16-2.0	1
71	FS1652J-71	Front Stop		1
72	F002646	Flat Washer	ø12xø24x2.5 mm	9
73	FS1652J-73	"T" Bolt	M12	3
74	F012160	Wing Nut	M12-1.75	3
75	FS1652J-75	Angle Gauge		1
76	F003835	Cotter Pin	Ø3.2x45 mm	10
77	F002636	Flat Washer	ø6xø12x1.6 mm	5
78	FS1652J-78	Scale		2
79	FS1652J-79	Rivet	2x5 mm	4
	LM000077	ID Label, FS-1652J (not shown)		1
	LM000135	Label – Gauge Capacities (not shown)		1
	LM000134	Warning Label (not shown)		1
	JET-165	JET Logo with adhesive (not shown)	165x68mm	1