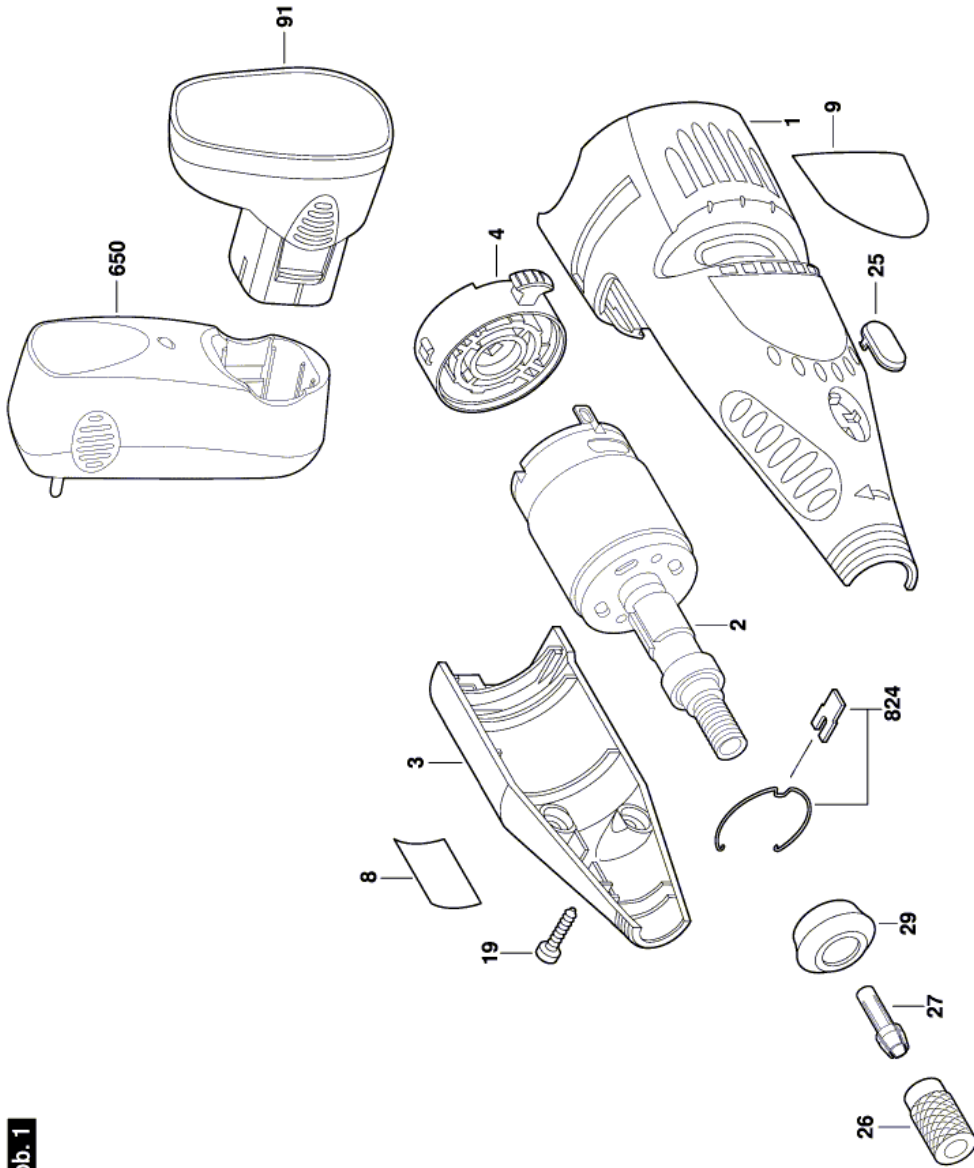


**. - F 013 770 003 - 7700**[www.powertools-aftersaleservice.com](http://www.powertools-aftersaleservice.com)**BOSCH**

Item	Part Number	Description	Illustration	Price	Quantity	Price Group
1	2 610 916 359	Housing	1	-,-	1	22
2	2 610 916 207	Motor	1	-,-	1	28
3	2 610 916 360	Housing Cover	1	-,-	1	19
4	2 610 916 208	Mains switch	1	-,-	1	23
8	2 610 916 356	Nameplate	1	-,-	1	-
9	2 610 955 218	Label	1	-,-	1	13
19	2 610 347 948	Screw	1	-,-	2	11
25	2 610 916 357	Cover	1	-,-	1	10
26	2 615 297 355	Nut	1	-,-	1	12
27	2 615 110 480	Collet 1/8"	1	-,-	1	15
29	2 610 925 247	Cover	1	-,-	1	12
91	2 610 919 033	Battery	1	-,-	1	-
650	2 615 075 800	Charger USA 120/7,2, 3h	1	-,-	1	-
824	2 610 917 263	Locking Lever	1	-,-	1	12

Illustration - Type E



F 013 770 045  
Stand } 05-08-17  
Issue } **Fig./Abb. 1**

Modifications reserved  
Änderungen vorbehalten  
Modificaciones reservadas  
Salvo modificaciones

Information subject to change without further notice.