

Type: GI 75
Part no.: 79020109573

Item	Part no.	Designation	Quantity
10	39000000142	Housing	1
20	39000000141	Workpiece support	1
30	39000000171	Handle M8X30	1
40	39000004723	Holder	1
50	39000000139	Cover	1
60	39000000138	Cover	1
70	39000000006 ↓ 39000000206	Drive wheel 200x75 mm Drive wheel	1
80	39000001006	Contact wheel	1
95	39000000085	Handle M8	3
100	39000004708	Spark box	1
120	39000000135	Plate	1
130	39000000161	Spring	1
140	39000004735	Adjustment unit	1
150	39000000111	Screw	1
160	39000000154	Screw	3
170	39000000045	Nut	11
180	39000000090	Disc	7
190	39000000153	Bolt M8x45	2
200	39000000044	Nut	2
210	39000000132	Support	1
220	39000000160	Cup spring 20,4x2	2
230	39000000127	Adjustment unit	2
240	39000002813	Disc	1

Type: GI 75
Part no.: 79020109573

Item	Part no.	Designation	Quantity
250	39000000061	Nut	2
260	39000000152	Screw M8X25	1
270	39000005043	Graphite coating 80x430 mm	1
280	39000000048	Screw	1
290	39000000163	Disc D12	1
300	39000000063	Nut	1
310	39000000162	Handle M8X75	1
320	39000000148	Disc	1
325	39000006362	Disc	1
330	39000000047	Nut	4
340	39000000087	Locking bar	1
350	39000000167	Fitting	2
360	39000000099	Screw	1
380	39000000131	Bush	1
390	39000005623	Eye guard	1
400	39000000130	Cover	1
410	39000000165	Screw	5
420	39000000129	Bush	1
430	39000000595	Screw	1
440	39000000149	Screw M6X8	2
450	39000000128	Sanding table	1
460	39000000145	Bolt M8X35	3
470	39000000827	Screw	1
480	39000000168	Disc	1

Type: GI 75
Part no.: 79020109573

Item	Part no.	Designation	Quantity
490	39000000126	Flange	1
505	39000000125	Bush VE 4	1
515	39000000124	Bush VE 4	1
520	39000000089	Cup spring 8,2x0,9 mm	3
530	39000000123	Plate	1
540	39000000155	Nipple M6	1
550	39000005826	Handle	2
550	39000000084	Handle M6 VE 2	1
560	39000000166	Nut	2
580	39000000040	Flat headed screw	4
590	39000000143	Bolt M8X60	1
600	39000000541	Sheet metal screw	3
610	39000000083	Screw	6
620	39000000724	Circlip	1
630	39000000464	Screw	2
640	39000000219	Hood	1
650	39000000218	Blade	1
660	39000000479	Flap switch	1
670	39000001138	Screw	3
680	39000000540	Seal	1
690	39000001139	Screw	1
700	39000005654	Screw	2
710	39000001647	Motor 4 KW 3x575V 60Hz 3000 RPM	1
720	39000001646	Switch GI150/75 3x575V 60Hz	1

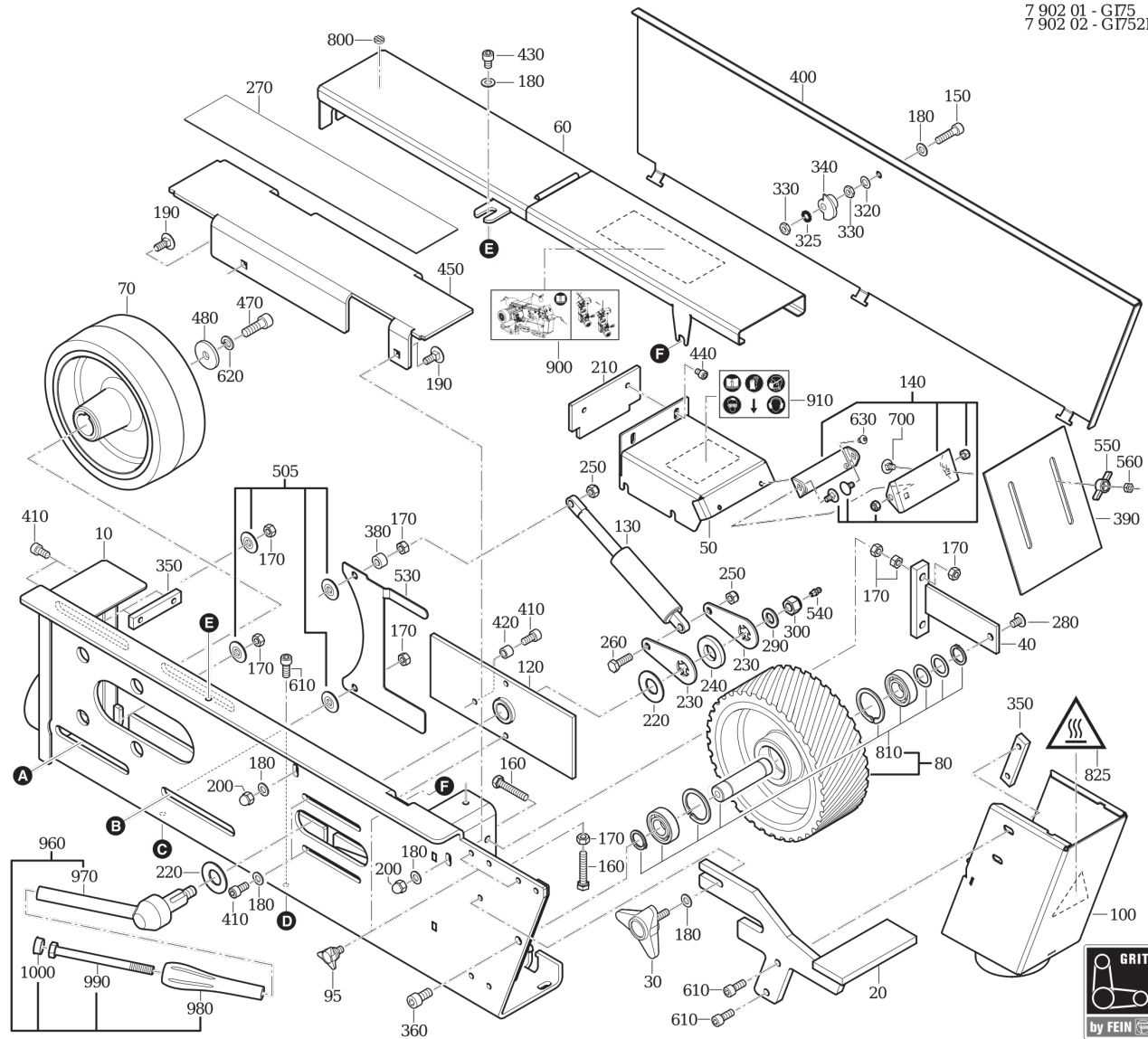
Type: GI 75
Part no.: 79020109573

Item	Part no.	Designation	Quantity
800	39000005540	Stop	1
810	39000001459	Shaft	1
820	39000001644	Flange B14	1
825	39000006105	Sign	1
830	39000005290	Cover 4 KW	1
840	39000001656	Service kit	1
900	39000006142	Sign	1
910	39000006100	Sign	1
930	43041040048	Fillister head screw	4
935	39000000720	Nut	6
940	39000000444	Screw M6X30	4
950	39000001701	Cable with plug	1
960	39000000711	Lever	1
970	39000004711	Handle	2
980	32119114005	Handle	2
990	39000006227	Screw	2
1000	41115012001	Plug	2

Type:
Part no.:

GI 75
79020109573

7 902 01 - GI75
7 902 02 - GI752H



Type:
Part no.:

GI 75
79020109573

