

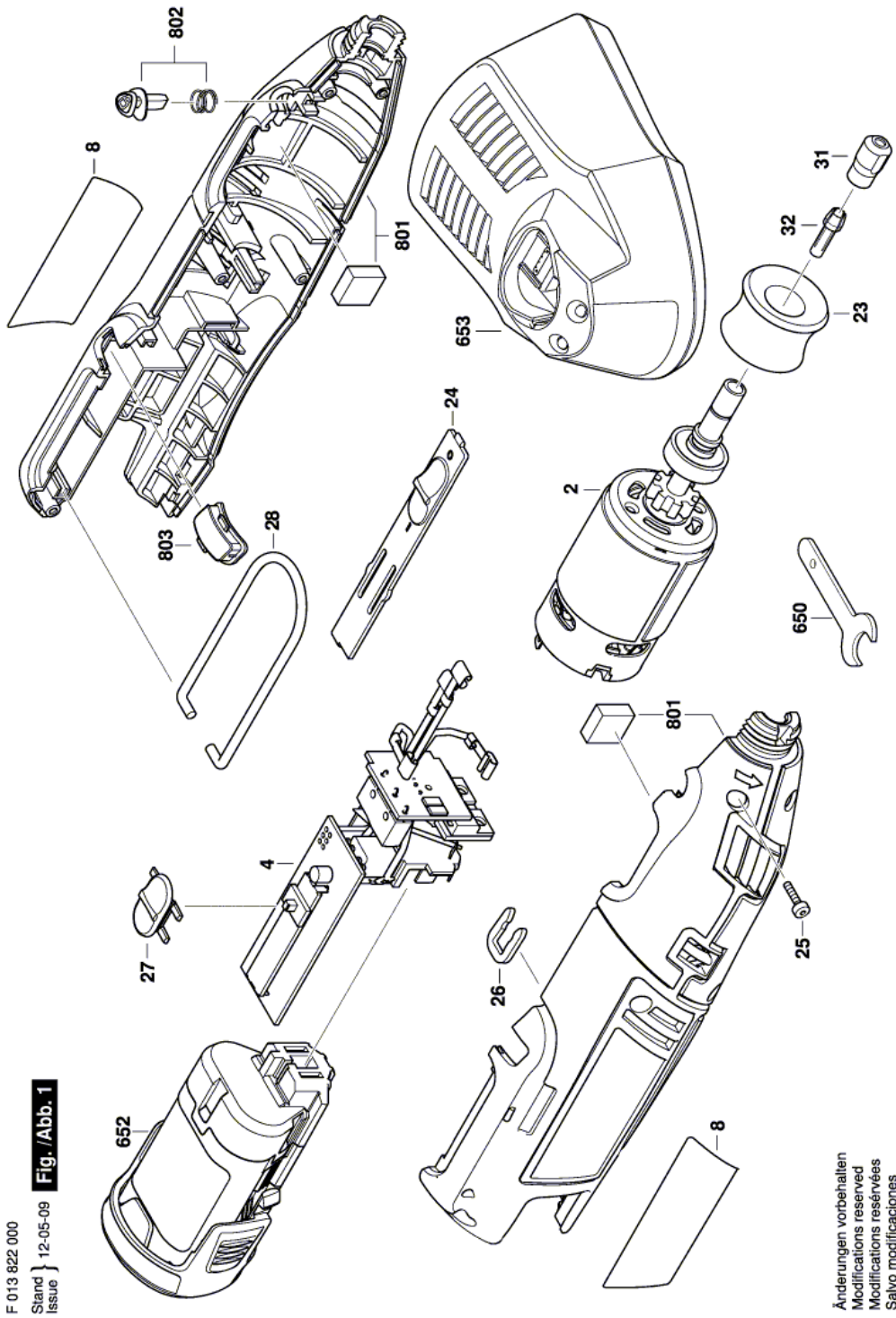
. - F 013 822 000 - 8220

www.powertools-aftersaleservice.com

**BOSCH**

Item	Part Number	Description	Illustration	Price	Quantity	Price Group
2	2 610 005 460	Motor	1	-,-	1	34
4	2 610 021 281	Electronic Assembly	1	-,-	1	36
8	2 610 022 231	Label	1	-,-	1	13
23	2 610 013 854	Nose	1	-,-	1	13
24	2 610 005 471	Guide Lever	1	-,-	1	11
25	2 610 013 397	Screw	1	-,-	5	10
26	2 609 110 537	Clip	1	-,-	1	11
27	2 610 005 472	Spring Cap	1	-,-	1	10
28	2 610 005 473	Suspension Loop	1	-,-	1	12
31	2 610 014 582	Nut	1	-,-	1	12
32	2 615 110 480	Collet 1/8"	1	-,-	1	15
650	2 610 930 692	Chuck Wrench	1	-,-	1	13
652	2 610 041 671	Battery Pack 12V 1,5Ah	1	-,-	1	38
653	2 607 225 633	Charger USA 120V	1	-,-	1	38
801	2 610 005 470	Housing Assembly	1	-,-	1	28
802	2 610 004 610	Locking Pin	1	-,-	1	13
803	2 610 011 204	Spare Part	1	-,-	1	12

Illustration - Type E



Information subject to change without further notice.