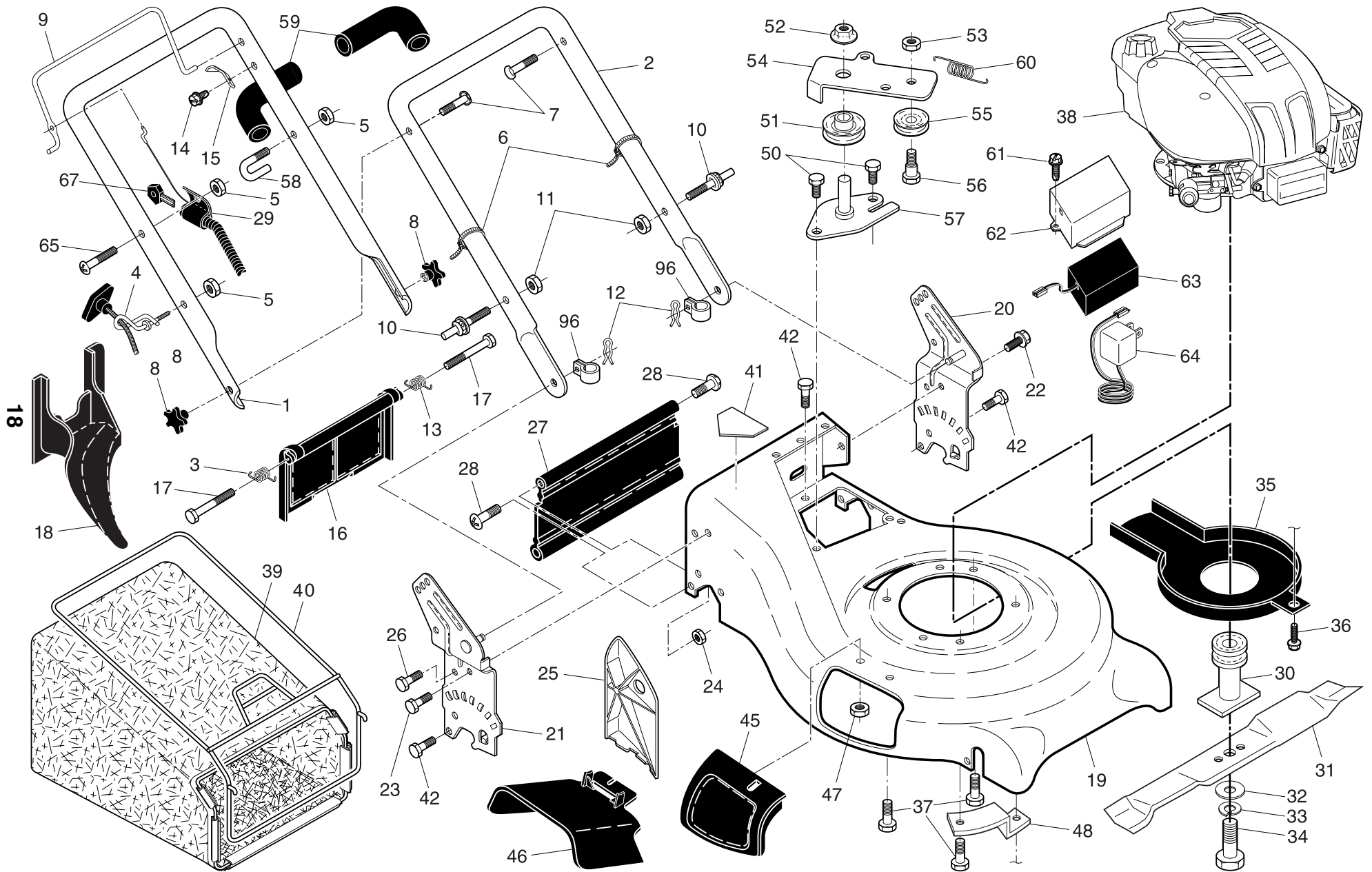


ROTARY LAWN MOWER - - MODEL NUMBER 87521RES (96143002200) - PRODUCT NUMBER 961 43 00-22



ROTARY LAWN MOWER - - MODEL NUMBER 87521RES (96143002200) - PRODUCT NUMBER 961 43 00-22

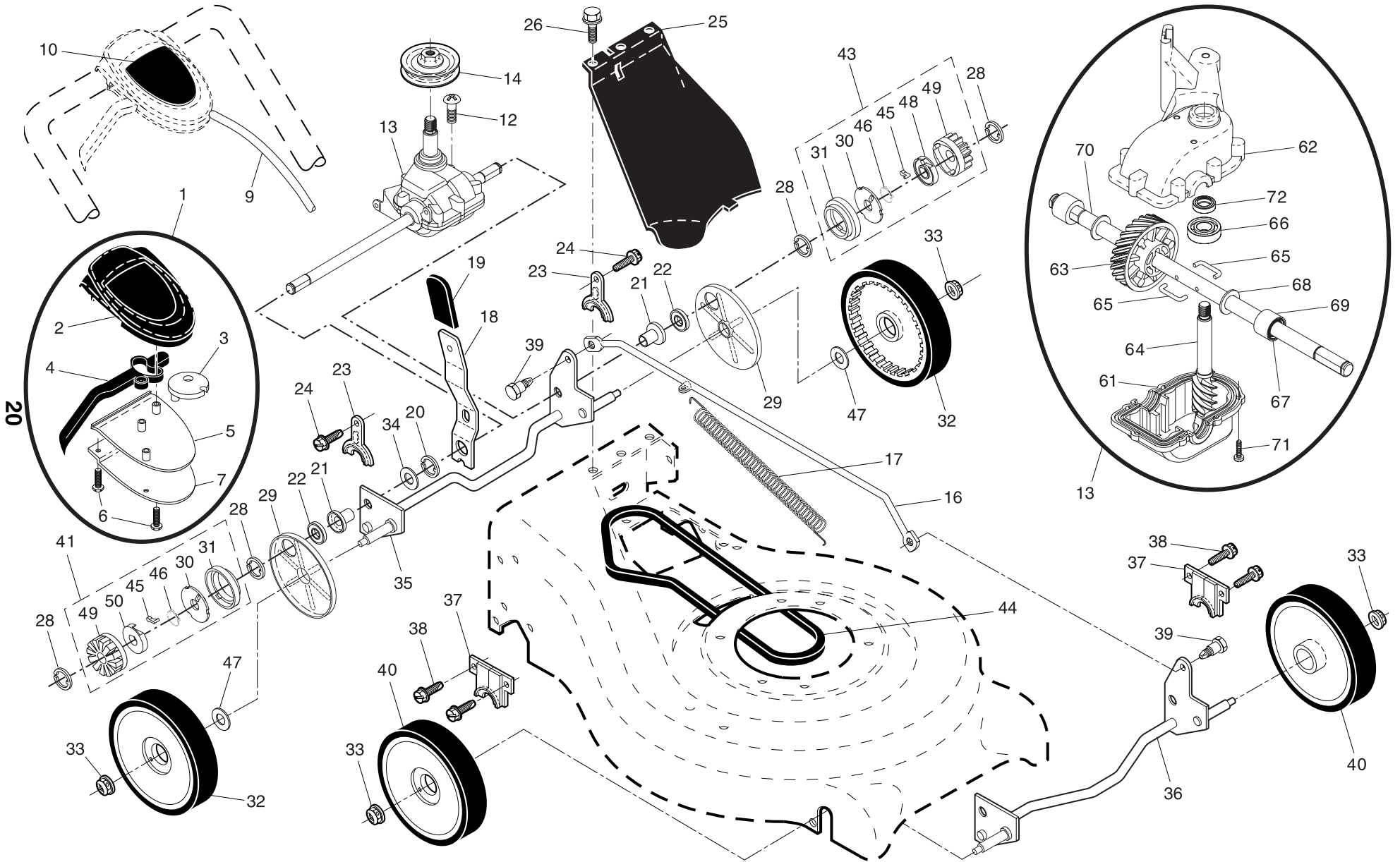
KEY NO.	PART NO.	DESCRIPTION
1	532 19 99-82	Handle, Upper (Includes Foam Grip)
2	532 19 60-05	Handle, Lower
3	532 40 54-76	Spring, Rear Door, RH
4	532 19 47-88	Guide, Rope, Side
5	532 13 20-04	Nut, Hex Lockwasher Insert 1/4-20
6	532 06 64-26	Wire, Tie
7	532 19 15-74	Bolt, Handle 5/16-18 x 1.75
8	532 18 55-88	Knob, Handle
9	532 19 70-19	Bail, Flat, Auto-Walk, Orange
10	532 18 88-21	Bolt, Carriage
11	532 75 11-53	Nut, Hex, Centerlock 5/16-18 UNC
12	532 05 17-93	Cotter, Hairpin
13	532 40 54-15	Spring, Rear Door, LH
14	532 75 06-34	Screw
15	532 12 51-62	Bracket, Upstop
16	532 40 88-88	Rear Door Assembly
17	532 18 41-93	Bolt, Rear Door
18	532 19 81-70	Plug, Mulcher
19	532 41 04-53	Kit, Housing
20	532 19 40-29	Handle Bracket Assembly, LH
21	532 19 40-31	Handle Bracket Assembly, RH
22	532 15 00-78	Screw, Hex Washer Head
23	532 16 31-83	Bolt, Hex Head 5/16-18 x 5/8
24	873 80 05-00	Nut, Hex, with Lock Washer Insert 5/16-18
25	532 16 13-33	Baffle, Side
26	532 16 34-09	Screw 12 x 5/8
27	532 18 89-86	Skirt, Rear
28	532 08 86-52	Screw, Hinge 1/4-20 x 1.25
29	532 19 49-53	Key Start Switch (Includes Cable and Key)
30	532 18 91-79	Blade Adapter / Pulley
31	532 40 67-12	Blade, 21"
32	532 85 10-74	Washer, Hardened
33	532 85 02-63	Lockwasher, Helical Spring 3/8
34	532 85 10-84	Screw, Hex Head 3/8-24 x 1.38

KEY NO.	PART NO.	DESCRIPTION
35	532 18 87-86	Debris Shield
36	532 19 23-25	Screw
37	532 15 04-06	Bolt, Engine
38	- - -	Engine, Briggs & Stratton, Model Number 12S505 (For engine service and replacement parts, call Briggs & Stratton at 1-800-233-3723)
39	532 40 97-26	Grassbag
40	532 40 74-53	Frame, Grassbag
41	532 40 47-63	Danger Decal
42	532 05 45-83	Screw
45	532 19 05-10	Mulcher Door Assembly
46	532 19 05-12	Deflector, Discharge
47	532 08 83-49	Nut, Hex
48	532 19 09-39	Mounting Bracket, Debris Shield
50	532 05 78-08	Screw
51	532 19 37-91	Pulley Assembly, V-Groove
52	532 14 52-12	Flange Nut
53	532 15 55-52	Locknut
54	532 19 68-12	Idler Arm
55	532 16 60-43	Idler Pulley
56	532 16 08-29	Shoulder Bolt
57	532 19 33-15	Bracket Assembly
58	532 18 20-03	Clip
59	532 18 27-48	Grip, Handle, Foam, Smooth
60	532 18 22-26	Spring, Return
61	817 41 13-18	Screw
62	532 19 34-76	Box, Battery
63	532 18 95-89	Battery
64	532 19 00-97	Charger, Battery
65	532 18 61-59	Screw
67	532 18 03-31	Key
96	532 19 79-91	Clip, Cable
- -	532 40 47-64	Warning Decal (not shown)
- -	532 41 29-72	Owner's Manual, English / French

NOTE: All component dimensions given in U.S. inches. 1 inch = 25.4 mm

IMPORTANT: Use only Original Equipment Manufacturer (O.E.M.) replacement parts. Failure to do so could be hazardous, damage your lawn mower and void your warranty.

ROTARY LAWN MOWER - - MODEL NUMBER 87521RES (96143002200) - PRODUCT NUMBER 961 43 00-22



ROTARY LAWN MOWER - - MODEL NUMBER 87521RES (96143002200) - PRODUCT NUMBER 961 43 00-22

KEY NO.	PART NO.	DESCRIPTION
1	532 40 27-90	Drive Control Assembly
2	532 19 57-61	Cover, Top, Drive Control
3	532 18 73-53	Pulley
4	532 19 00-39	Lever, Drive Control
5	532 19 57-62	Cover, Bottom, Drive Control
6	532 18 16-98	Screw, Phillips Head #10 x 5/8
7	532 40 07-23	Mounting Bracket, Drive Control
9	532 19 60-02	Cable, Drive Control
10	532 18 93-78	Decal, Drive Control
12	532 18 76-53	Screw
13	532 18 86-45	Gear Case Assembly (See Breakdown)
14	532 19 34-43	Pulley, Drive
16	532 40 71-47	Rod, Connecting
17	532 40 49-42	Spring, Extension
18	532 19 61-62	Spring Selector
19	532 19 06-22	Knob, Selector Spring
20	812 00 00-22	E-Ring
21	532 16 33-65	Bearing, Support
22	532 16 99-11	Bearing, Ball
23	532 16 45-55	Retainer, Drive Assembly, Stamped
24	532 05 78-08	Screw, Tapping, Hex Head 1/4-20 x 3/4
25	532 40 07-83	Cover Drive
26	532 75 06-34	Screw, Threaded, Rolled #10-25 x 1/2
27	532 05 21-60	Washer, Shim (as required)
28	812 00 00-58	E-Ring 7/16
29	532 18 94-03	Cover, Dust, Wheel
30	532 17 51-04	Disc, Drive
31	532 18 41-72	Seal, Friction
32	532 41 10-81	Wheel & Tire Assembly, Rear

KEY NO.	PART NO.	DESCRIPTION
33	532 40 91-48	Nut, Hex, Flangelock 3/8-16
34	532 85 12-26	Washer
35	532 41 09-22	Shaft Assembly, Rear
36	532 41 09-33	Shaft Assembly, Front
37	532 16 14-63	Retainer, Front Shaft
38	532 16 34-09	Screw #12 x 5/8
39	532 40 70-59	Bolt, Shoulder, Semi-Gimlett Point
40	532 41 08-31	Wheel & Tire Assembly, Front 8 x 2
41	532 18 83-30	Pinion Assembly, RH
43	532 18 83-31	Pinion Assembly, LH
44	532 18 36-88	V-Belt
45	532 17 50-98	Pawl
46	532 18 82-91	Spring, Torsion
47	532 06 77-25	Washer 1/2 x 1-1/2 x .134
48	532 17 51-05	Retainer, Drive, LH
49	532 17 51-03	Gear, Pinion
50	532 17 51-02	Retainer, Drive, RH
61	532 18 75-30	Case, Lower
62	532 18 75-31	Case, Upper
63	532 18 75-32	Gear, 24 Teeth
64	532 18 75-33	Shaft, Input
65	532 18 35-05	Wire, Formed
66	532 18 35-06	Bearing, Ball
67	532 18 35-08	Seal, Output Shaft
68	532 18 35-09	Washer
69	532 18 35-11	Bushing
70	532 19 12-49	Shaft, Output
71	532 18 35-13	Screw
72	532 18 35-14	Seal, Input Shaft

NOTE: All component dimensions given in U.S. inches. 1 inch = 25.4 mm

IMPORTANT: Use only Original Equipment Manufacturer (O.E.M.) replacement parts. Failure to do so could be hazardous, damage your lawn mower and void your warranty.