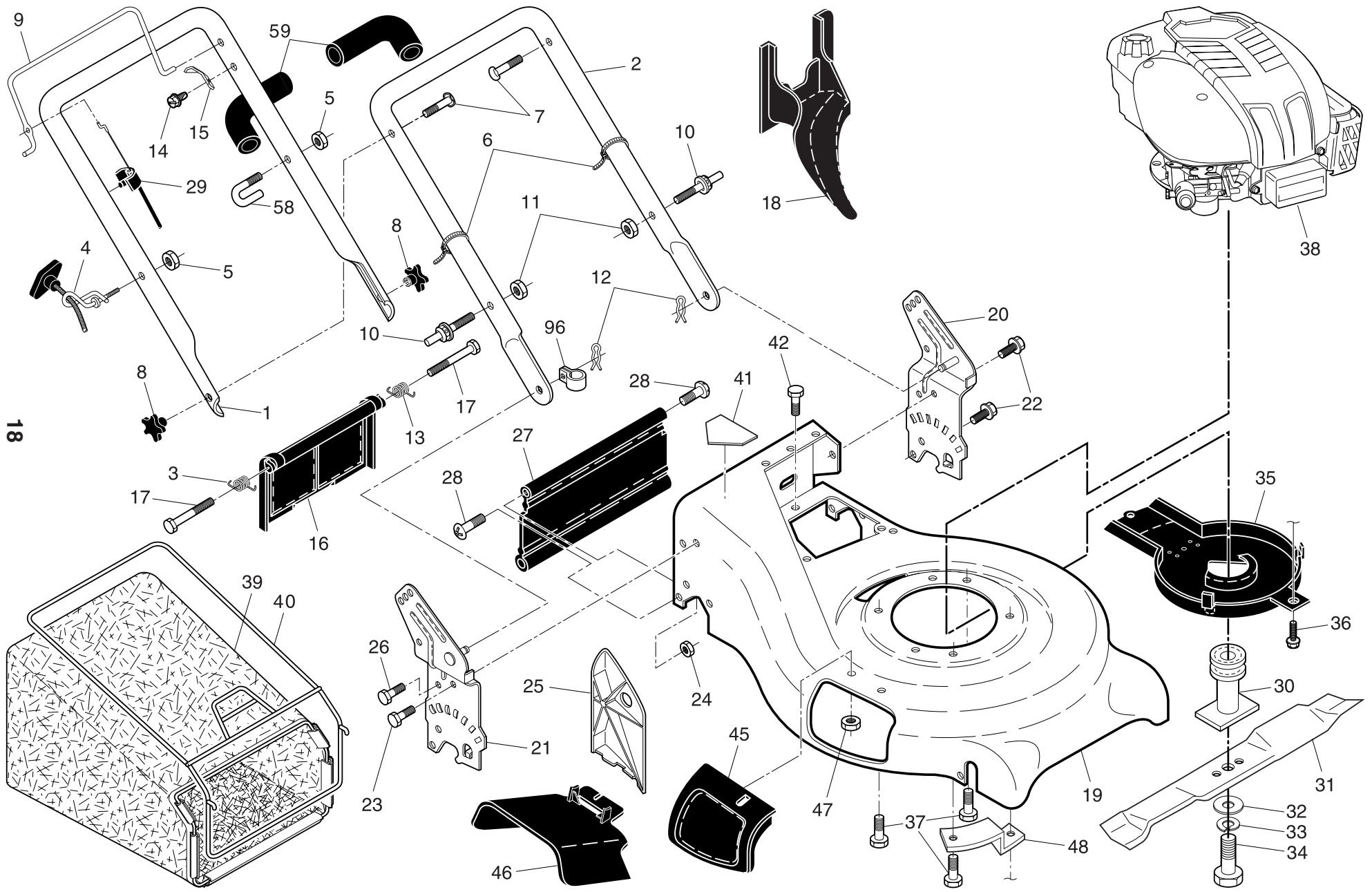


ROTARY LAWN MOWER - - MODEL NUMBER 87521RSX (96143003800) - PRODUCT NUMBER 961 43 00-38



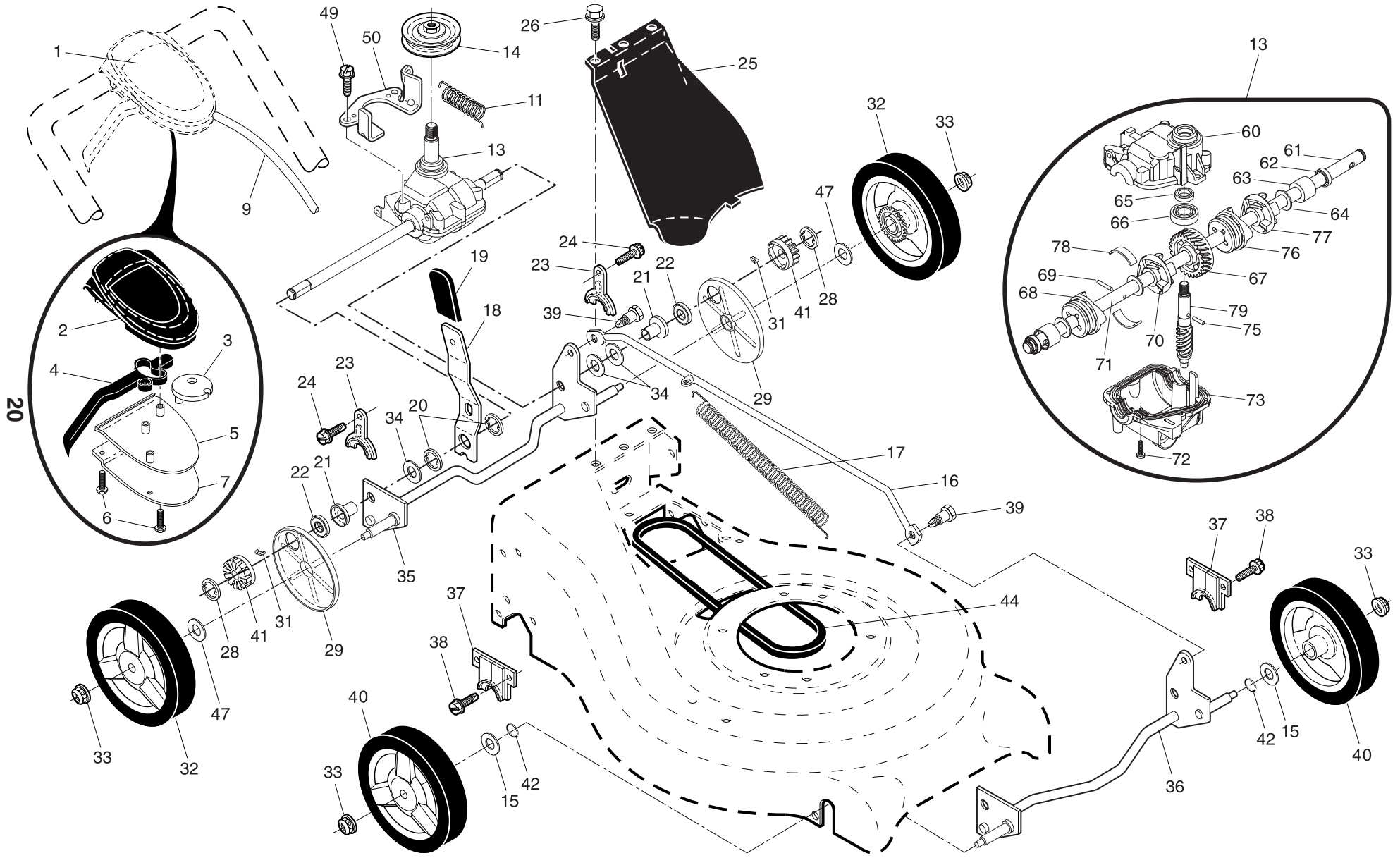
ROTARY LAWN MOWER - - MODEL NUMBER 87521RSX (96143003800) - PRODUCT NUMBER 961 43 00-38

| KEY NO. | PART NO. | DESCRIPTION | KEY NO. | PART NO. | DESCRIPTION |
|---------|--------------|---|---------|--------------|---|
| 1 | 532 19 99-82 | Handle, Upper (Includes Foam Grip) | 27 | 532 40 84-42 | Skirt, Rear |
| 2 | 532 19 72-02 | Handle, Lower | 28 | 532 08 86-52 | Screw, Hinge 1/4-20 x 1.25 |
| 3 | 532 40 54-16 | Spring, Rear Door, RH | 29 | 532 16 15-86 | Cable, Operator Presence |
| 4 | 532 19 47-88 | Guide, Rope, Side | 30 | 532 18 91-79 | Blade Adapter / Pulley |
| 5 | 532 13 20-04 | Nut, Hex Lockwasher Insert 1/4-20 | 31 | 532 40 67-12 | Blade, 21" |
| 6 | 532 06 64-26 | Wire, Tie | 32 | 532 85 10-74 | Washer, Hardened |
| 7 | 532 19 15-74 | Bolt, Handle 5/16-18 x 1.75 | 33 | 532 85 02-63 | Lockwasher, Helical Spring 3/8 |
| 8 | 532 18 55-88 | Knob, Handle | 34 | 532 85 10-84 | Screw, Hex Head 3/8-24 x 1.38 |
| 9 | 532 19 70-19 | Bail, Flat, Auto-Walk, Orange | 35 | 532 40 58-44 | Debris Shield |
| 10 | 532 18 88-21 | Bolt, Carriage | 36 | 532 19 23-25 | Screw |
| 11 | 532 75 11-53 | Nut, Hex, Centerlock 5/16-18 UNC | 37 | 532 15 04-06 | Bolt, Engine |
| 12 | 532 05 17-93 | Cotter, Hairpin | 38 | - - - | Engine, Briggs & Stratton, Model Number 128602 (For engine service and replacement parts, call Briggs & Stratton at 1-800-233-3723) |
| 13 | 532 40 54-15 | Spring, Rear Door, LH | | | |
| 14 | 532 75 06-34 | Screw | | | |
| 15 | 532 12 51-62 | Bracket, Upstop | 39 | 532 40 97-26 | Grassbag |
| 16 | 532 40 88-88 | Rear Door Assembly | 40 | 532 41 19-51 | Frame, Grassbag |
| 17 | 532 18 41-93 | Bolt, Rear Door | 41 | 532 40 47-63 | Danger Decal |
| 18 | 532 19 81-70 | Plug, Mulcher | 42 | 532 05 45-83 | Screw |
| 19 | 532 40 75-35 | Kit, Lawn Mower Housing | 45 | 532 19 05-10 | Mulcher Door Assembly |
| 20 | 532 41 82-39 | Handle Bracket Assembly, LH | 46 | 532 19 05-12 | Deflector, Discharge |
| 21 | 532 41 82-51 | Handle Bracket Assembly, RH | 47 | 532 08 83-49 | Nut, Hex |
| 22 | 532 15 00-78 | Screw, Hex Washer Head | 48 | 532 19 09-39 | Mounting Bracket, Debris Shield |
| 23 | 532 16 31-83 | Bolt, Hex Head 5/16-18 x 5/8 | 58 | 532 18 20-03 | Clip |
| 24 | 873 80 05-00 | Nut, Hex, with Lock Washer Insert 5/16-18 | 59 | 532 18 27-48 | Grip, Handle, Foam, Smooth |
| 25 | 532 16 13-33 | Baffle, Side | 96 | 532 19 79-91 | Clip, Cable |
| 26 | 532 16 34-09 | Screw, Hi-Lo Thread #12 x 5/8 | -- | 532 40 47-64 | Warning Decal (not shown) |

NOTE: All component dimensions given in U.S. inches. 1 inch = 25.4 mm

IMPORTANT: Use only Original Equipment Manufacturer (O.E.M.) replacement parts. Failure to do so could be hazardous, damage your lawn mower and void your warranty.

ROTARY LAWN MOWER - - MODEL NUMBER 87521RSX (96143003800) - PRODUCT NUMBER 961 43 00-38



ROTARY LAWN MOWER - - MODEL NUMBER 87521RSX (96143003800) - PRODUCT NUMBER 961 43 00-38

| KEY NO. | PART NO. | DESCRIPTION | KEY NO. | PART NO. | DESCRIPTION |
|---------|--------------|---|---------|--------------|--|
| 1 | 532 40 73-44 | Drive Control Assembly, Auto-Walk | 36 | 532 41 09-33 | Shaft Assembly, Front |
| 2 | 532 41 16-73 | Cover, Top, Auto-Walk Drive Control | 37 | 532 16 14-63 | Retainer, Front Shaft |
| 3 | 532 40 62-62 | Pulley | 38 | 532 16 34-09 | Screw, Hi-Lo Thread #12 x 5/8 |
| 4 | 532 19 00-39 | Lever, Auto-Walk Drive Control | 39 | 532 40 70-59 | Bolt, Shoulder, Semi-Gimlet Point |
| 5 | 532 41 16-64 | Cover, Bottom, Auto-Walk Drive Control | 40 | 532 41 08-31 | Wheel & Tire Assembly, Front 8 x 1-3/4 |
| 6 | 532 18 16-98 | Screw, Phillips Head #10 x 5/8 | 41 | 532 40 48-35 | Pinion |
| 7 | 532 40 07-23 | Plate, Trigger, Auto-Walk Drive Control | 42 | 532 19 74-80 | O-Ring |
| 9 | 532 40 62-58 | Cable, Drive Control | 44 | 532 40 65-80 | V-Belt |
| 11 | 532 40 65-58 | Spring, Return | 47 | 532 06 77-25 | Washer 1/2 x 1-1/2 x .134 |
| 13 | 532 40 48-39 | Gear Case Assembly (See Breakdown) | 49 | 532 16 34-09 | Screw, Hi-Lo Thread #12 x 5/8 |
| 14 | 532 19 34-43 | Pulley, Drive | 50 | 532 41 31-04 | Belt Keeper |
| 15 | 532 08 83-48 | Washer, Flat | 60 | 532 41 27-36 | Case, Upper |
| 16 | 532 40 71-47 | Rod, Connecting | 61 | 532 41 27-57 | Shaft, Output, Long |
| 17 | 532 40 96-16 | Spring, Extension | 62 | 532 18 35-08 | Seal, Output Shaft |
| 18 | 532 41 88-66 | Spring Selector | 63 | 532 18 35-11 | Bushing |
| 19 | 532 19 06-22 | Knob, Selector Spring | 64 | 532 18 35-09 | Washer |
| 20 | 812 00 00-22 | E-Ring | 65 | 532 18 35-14 | Seal, Worm Shaft |
| 21 | 532 41 24-50 | Bearing, Support | 66 | 532 18 35-06 | Bearing, Ball |
| 22 | 532 19 10-39 | Bearing, Ball | 67 | 532 41 27-42 | Gear, 28 Teeth |
| 23 | 532 16 45-55 | Retainer, Drive Assembly, Stamped | 68 | 532 41 27-39 | Fixed Dog Clutch, LH |
| 24 | 817 06 04-10 | Screw, Tapping, Hex Head 1/4-20 x 3/4 | 69 | 532 41 27-41 | Pin, Output Shaft |
| 25 | 532 40 07-83 | Cover Drive | 70 | 532 41 27-40 | Movable Dog Clutch, LH |
| 26 | 532 75 06-34 | Screw, Threaded, Rolled #10-25 x 1/2 | 71 | 532 41 27-56 | Shaft, Output, Short |
| 28 | 812 00 00-58 | E-Ring 7/16 | 72 | 532 18 35-13 | Screw, Case |
| 29 | 532 18 94-03 | Cover, Dust, Wheel | 73 | 532 41 27-47 | Case, Lower |
| 31 | 532 40 48-45 | Pawl, Drive | 75 | 532 41 27-46 | Pin, Worm Shaft |
| 32 | 532 41 31-05 | Wheel & Tire Assembly, Rear | 76 | 532 41 27-43 | Movable Dog Clutch, RH |
| 33 | 532 40 91-48 | Nut, Hex, Flangelock 3/8-16 | 77 | 532 41 27-44 | Fixed Dog Clutch, RH |
| 34 | 532 85 12-26 | Washer | 78 | 532 41 07-31 | Spring, Leaf |
| 35 | 532 41 09-22 | Shaft Assembly, Rear | 79 | 532 41 27-37 | Shaft, Worm |

NOTE: All component dimensions given in U.S. inches. 1 inch = 25.4 mm

IMPORTANT: Use only Original Equipment Manufacturer (O.E.M.) replacement parts. Failure to do so could be hazardous, damage your lawn mower and void your warranty.