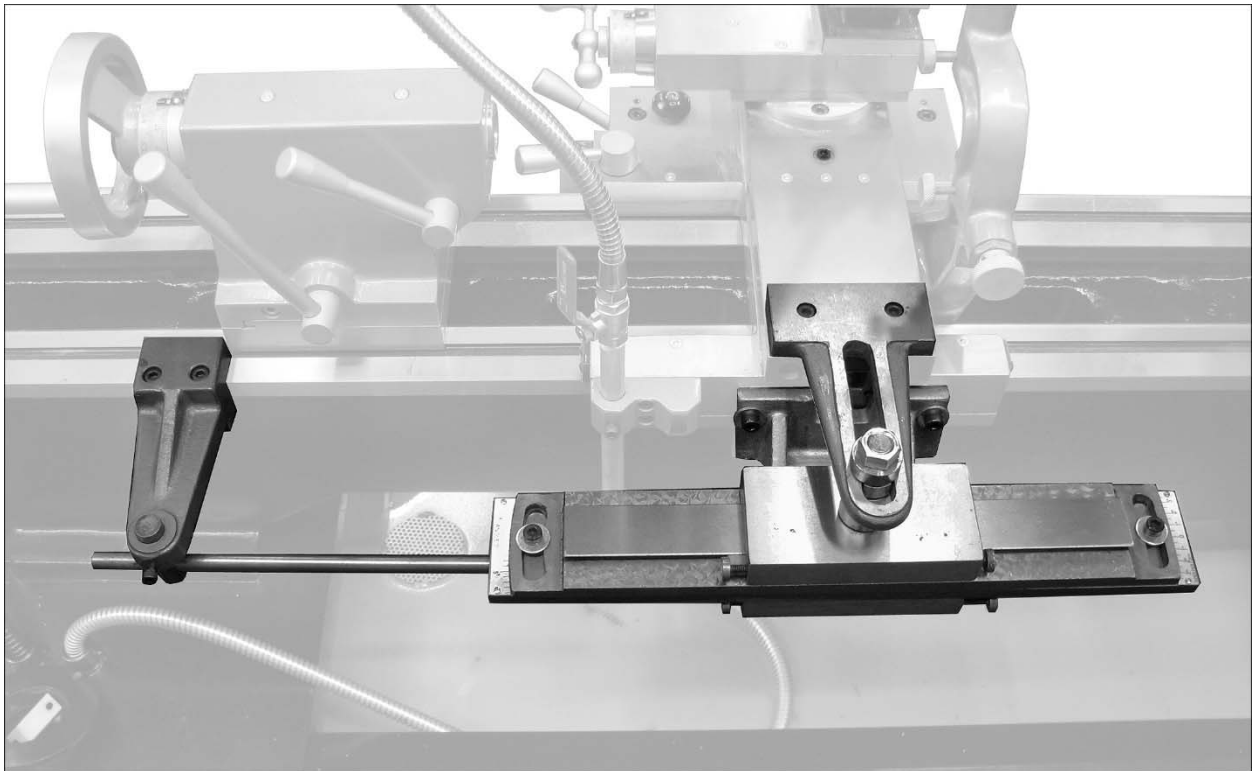




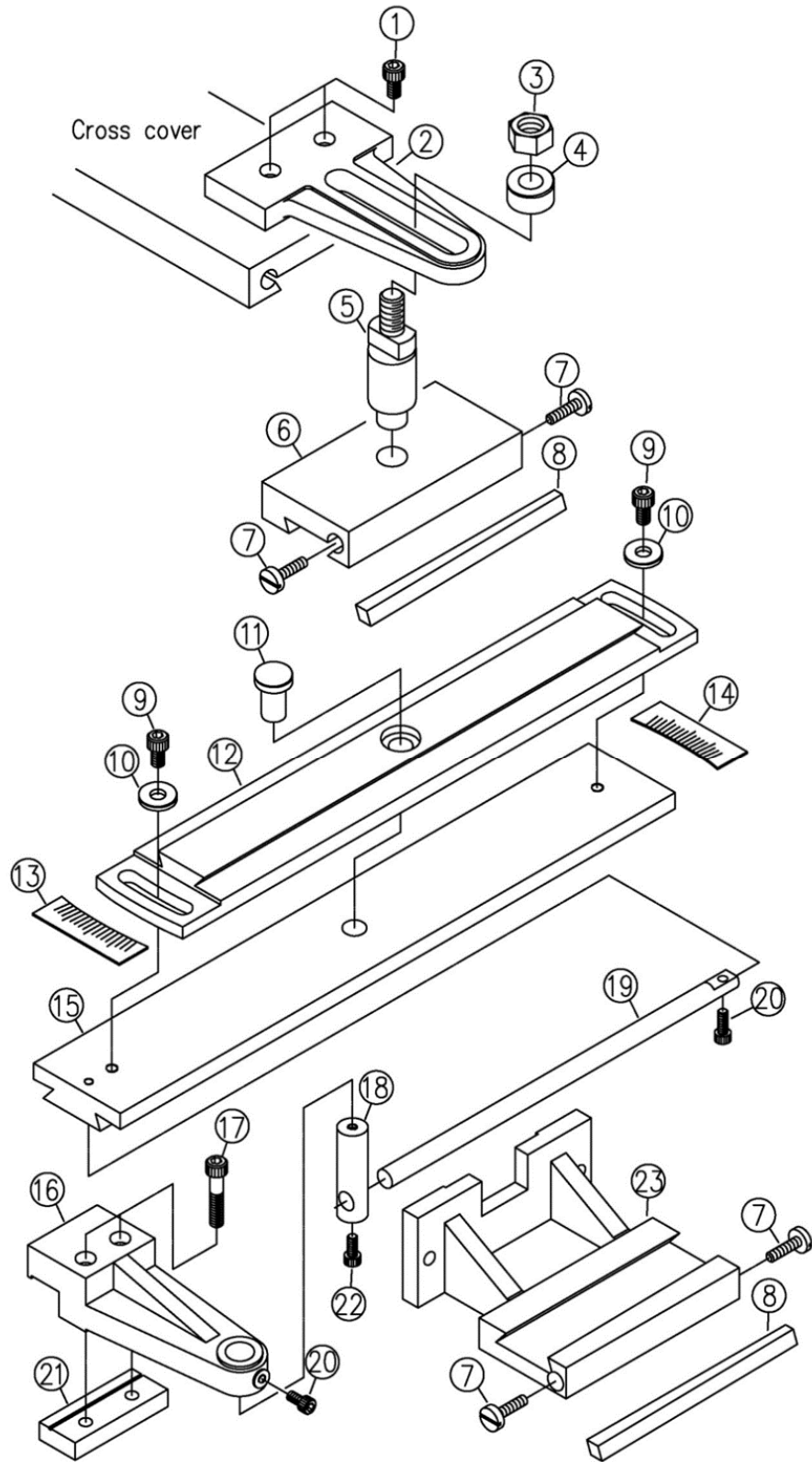
Assembly Instructions and Parts Manual Taper Attachment for E-1236VS Elite Lathe



JET
427 New Sanford Road
LaVergne, Tennessee 37086
Ph.: 800-274-6848
www.jettools.com

Part No. M-892005
Edition 1 10/2016
Copyright © 2016 JET

Taper Attachment for E-1236VS Lathe – Exploded View



Taper Attachment for E-1236VS Lathe – Parts List

Index No	Part No	Description	Size	Qty
	892005	Taper Attachment for E-1236VS (includes #1-23)...		1
1	TS-1504031	Socket Head Cap Screw	M8x16mm	1
2	E1236VS-J02	Trolley	160x110x16	1
3	TS-0561071	Nut	5/8"~11UNC	1
4	E1236VS-J04	Washer	Ø31x13	1
5	E1236VS-J05	Shaft	Ø5/8"(Ø20)x94L	1
6	E1236VS-J06	Slider	150x75x27	1
7	E1236VS-J07	Screw		4
8	E1236VS-J08	Gib	172x9.55x6.55	2
9	TS-1504041	Socket Head Cap Screw	M8x20mm	2
10	E1236VS-J10	Washer	Ø25x3	2
11	E1236VS-J11	Cover	Ø25(Ø16)x30L	1
12	E1236VS-J12	Base	380x75x22	1
13	E1236VS-J13	Angle Scale		1
14	E1236VS-J14	Angle Scale		1
15	E1236VS-J15	Base	480x75x22	1
16	E1236VS-J16	Bracket	172.5x60x40	1
17	TS-1504091	Socket Head Cap Screw	M8x45mm	1
18	E1236VS-J18	Shaft	Ø3/4"x65L	1
19	E1236VS-J19	Shaft	Ø1.2"x300L	1
20	TS-1503031	Socket Head Cap Screw	M6x12mm	2
21	E1236VS-J21	Clamping Block	80x31x13	1
22	TS-1503021	Socket Head Cap Screw	M6x10mm	1
23	E1236VS-J23	Base	145x150x71	1