



# SERVICE PARTS LIST

BULLETIN NO.  
55-05-0477

SPECIFY CATALOG NO. AND SERIAL NO. WHEN ORDERING PARTS		REVISED BULLETIN 55-05-0476	DATE Aug. '95
<b>HEAVY-DUTY S.S. VACUUM CLEANER</b>			
CATALOG NO.	8925-2	STARTING SERIAL NO.	634A
			WIRING INSTRUCTION <b>SEE REVERSE SIDE</b>

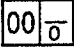
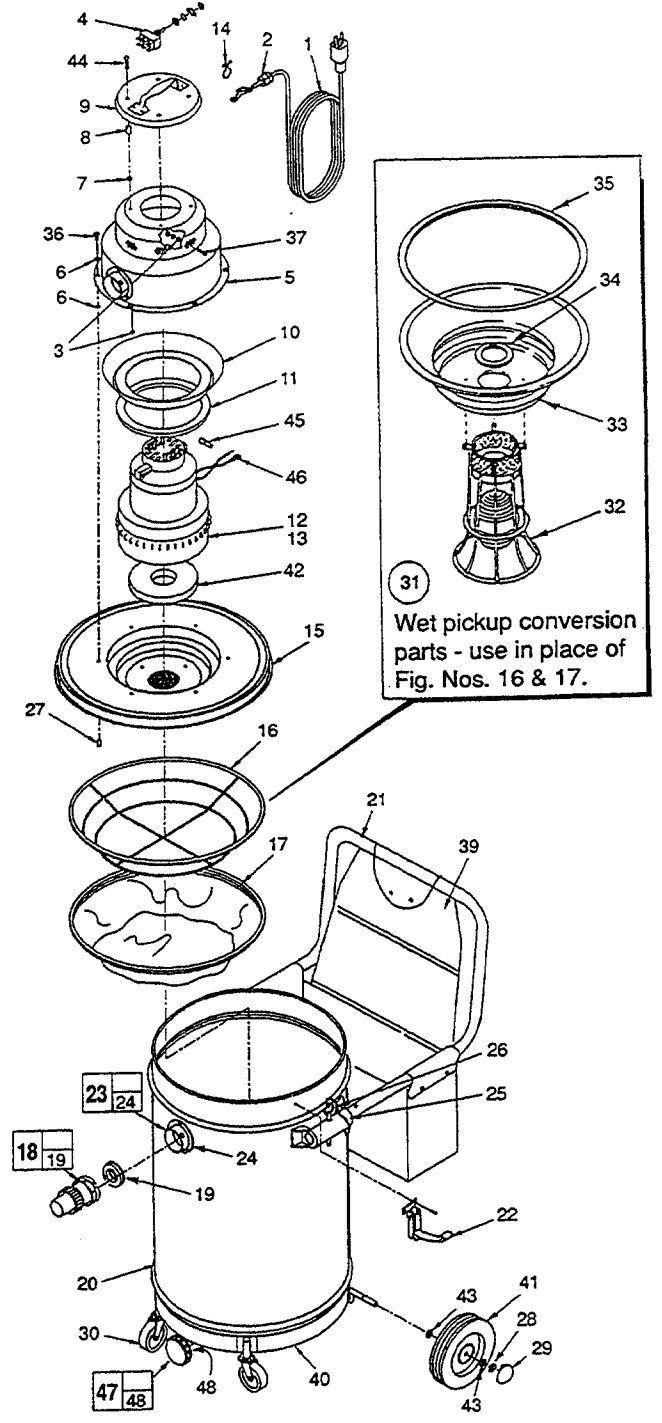
EXAMPLE:  
 Component Parts (Small #)  
 Are Included When Ordering  
 The Assembly (Large #).

FIG.	PART NO.	DESCRIPTION OF PART	NO. REQ.
	1	22-64-3220 Cord Set	(1)
	2	44-76-0230 Strain Relief	(1)
★	3	06-55-3800 10-24 Hex Nut	(7)
	4	23-66-0870 Switch	(1)
★	5	42-92-1055 Dome Assembly	(1)
★	6	45-88-8680 #12 Internal Tooth Lockwasher	(2)
★	7	45-88-8695 .37 Dia. x .18 Nylon Spacer	(4)
★	8	45-88-8700 .37 Dia. x .56 Nylon Spacer	(4)
★	9	44-66-6175 Dome Cap With Handle	(1)
★	10	42-04-3595 Baffle	(1)
★	11	43-44-1025 Top Motor Gasket	(1)
★	12	23-30-0310 240 V 3 Stage Motor	(1)
★	13	22-18-0900 240 V Carbon Brush and Holder (Set)	(1)
★	14	22-38-0170 Wire Tie	(1)
★	15	42-92-1060 Cover Assembly	(1)
★	16	49-90-0275 Wire Frame	(1)
★	17	49-90-0265 Cloth Filter and Gasket	(1)
	18	49-90-0150 Swivel End Connector	(1)
	19	43-44-0275 Fitted Gasket	(1)
	20	42-51-0390 Stainless Steel Dust Container Assembly (Incl. Fig. Nos. 21 thru 26 and 47 & 48)	(1)
	21	43-62-0920 Push Handle	(1)
	22	42-68-0291 Holddown Clamp	(3)
	23	42-86-0080 Inlet Connector Assembly	(1)
	24	43-44-0370 Gasket	(1)
	25	42-36-1550 Handle Bracket	(2)
	26	44-60-0860 Pin and Ring Assembly	(2)
★	27	44-76-0275 Screw Tip Protector	(6)
	28	06-57-7505 Pal Nut	(2)
	29	42-52-0220 Hub Cap	(2)
	30	45-94-0140 Swivel Bearing Caster	(2)
	31	49-90-1610 Wet Pick-up Conversion Pan Assembly (Incl. Fig. Nos. 32 thru 35)	(1)
	32	42-46-0110 Float Cage Assembly	(1)
	33	44-54-0050 Wet Pan Adapter	(1)
	34	43-44-0340 Shut Off Gasket	(1)
	35	43-44-0330 Gasket	(1)
★	36	06-81-1815 12 x 1/2 Phillips Type B Pan Hd. Screw	(6)
★	37	06-81-1812 10-24 x 3/4" Phlp. Screw	(1)
	38	49-90-0350 Filter Bags (Package of Five) Not Shown	(1)
	39	49-90-0250 Tool Caddy Bag	(1)
	40	43-08-0190 Dolly Ring Body	(1)
	41	45-94-0130 Wheel	(2)
★	42	43-44-1030 Bottom Motor Gasket	(1)
★	43	45-88-5253 Washer	(4)
★	44	06-81-1825 10-24 x 1" Round Hd. Phlp. Screw	(4)
★	45	23-71-0010 Wire Nut	(4)
★	46	23-74-1280 Terminal	(1)
	47	45-80-0160 Drain Assembly	(1)
	48	43-44-0720 Gasket	(1)
★		12-20-8900 Service Nameplate Kit	(1)
★		10-20-8900 Warning Label	(1)
★		10-05-5050 Conversion Label	(1)



# WIRING SCHEMATIC

8911, 8912, 8912-2, 8925, 8925-2  
8926, 8935, 8945, 8945-2

