

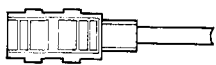
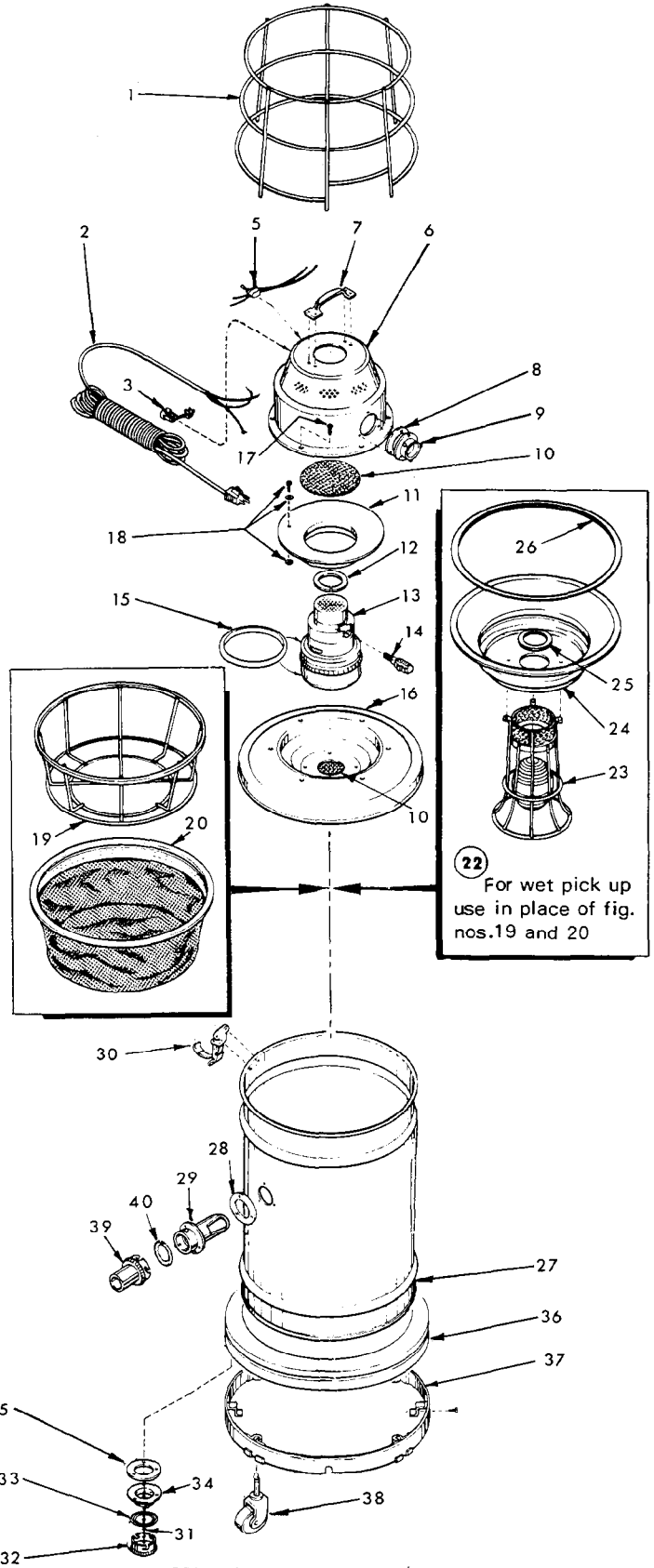


SERVICE PARTS LIST

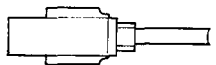
BULLETIN NO.
54-05-0620

SPECIFY CATALOG NO. AND SERIAL NO. WHEN ORDERING PARTS		REVISED BULLETIN	DATE
VACUUM CLEANER			April '83
CATALOG NO. 8937	STARTING SERIAL NO. 706-1001	WIRING INSTRUCTION	
CAT. NO.	START SER. NO.	BILINGUAL LABEL	

FIG. PART NO.	DESCRIPTION OF PART	NO. REQ.
1	49-90-0170 Hose Cage	(1)
2	22-64-0700 Cord Set	(1)
3	44-76-0020 Cord Protector	(1)
5	23-66-0870 Switch	(1)
6	42-92-0350 Motor Cover Assembly (Includes Fig. Nos. 7 thru 10)	(1)
7	43-62-0510 Handle	(1)
8	43-44-0335 Gasket	(1)
9	42-86-0070 Connector	(1)
10	45-03-0120 Perforated Aluminum Screen	(1)
11	42-04-0440 Motor Adapter	(1)
12	43-44-0360 Motor Top Gasket	(1)
13	23-30-0100 Small Bypass Motor Assembly	(1)
14	Carbon Brush and Holder (Set) Refer to bottom of page	
15	43-44-0390 Motor Gasket	(2)
16	42-92-0310 Container Cover with Screen	(1)
17	06-85-2000 12 x 1/2 Phillips Type B Pan Hd. Screw	(6)
18	06-05-0010 Ground Screw Assembly	(1)
19	49-90-0290 Wire Frame	(1)
20	49-90-0280 Cloth Filter and Gasket	(1)
21	49-90-0311 Filter Bags (Package of Five) - Not Shown	
22	49-90-1620 Wet Pick-Up Conversion Pan Assy. (Includes Fig. Nos. 23 thru 26)	(1)
23	42-46-0110 Float Cage Assembly	(1)
24	44-54-0060 Wet Pan Adapter	(1)
25	43-44-0340 Shut Off Gasket	(1)
26	43-44-0420 Gasket	(1)
27	42-51-0395 Stainless Steel Dust Container Assembly (Includes Fig. Nos. 28 thru 35)	(1)
28	43-44-0370 Gasket	(1)
29	42-86-0080 Inlet Connector Assembly	(1)
30	42-68-0291 Holddown Clamp	(3)
31	42-60-0090 Chain	(1)
32	42-52-0230 Drain Cap (Includes Fig. 33)	(1)
33	43-44-0275 Fitted Gasket	(1)
34	42-86-0070 Connector	(1)
35	43-44-0335 Gasket	(1)
36	42-38-0120 Bumper	(1)
37	43-08-0170 Dolly Ring Body	(1)
38	45-94-0140 Swivel Bearing Caster	(4)
39	49-90-0150 Swivel End Connector (Incl. Fig. 40)	(1)
40	43-44-0275 Fitted Gasket	(1)



22-18-0430



22-18-0530