



SERVICE PARTS LIST

BULLETIN NO.
54-05-8960

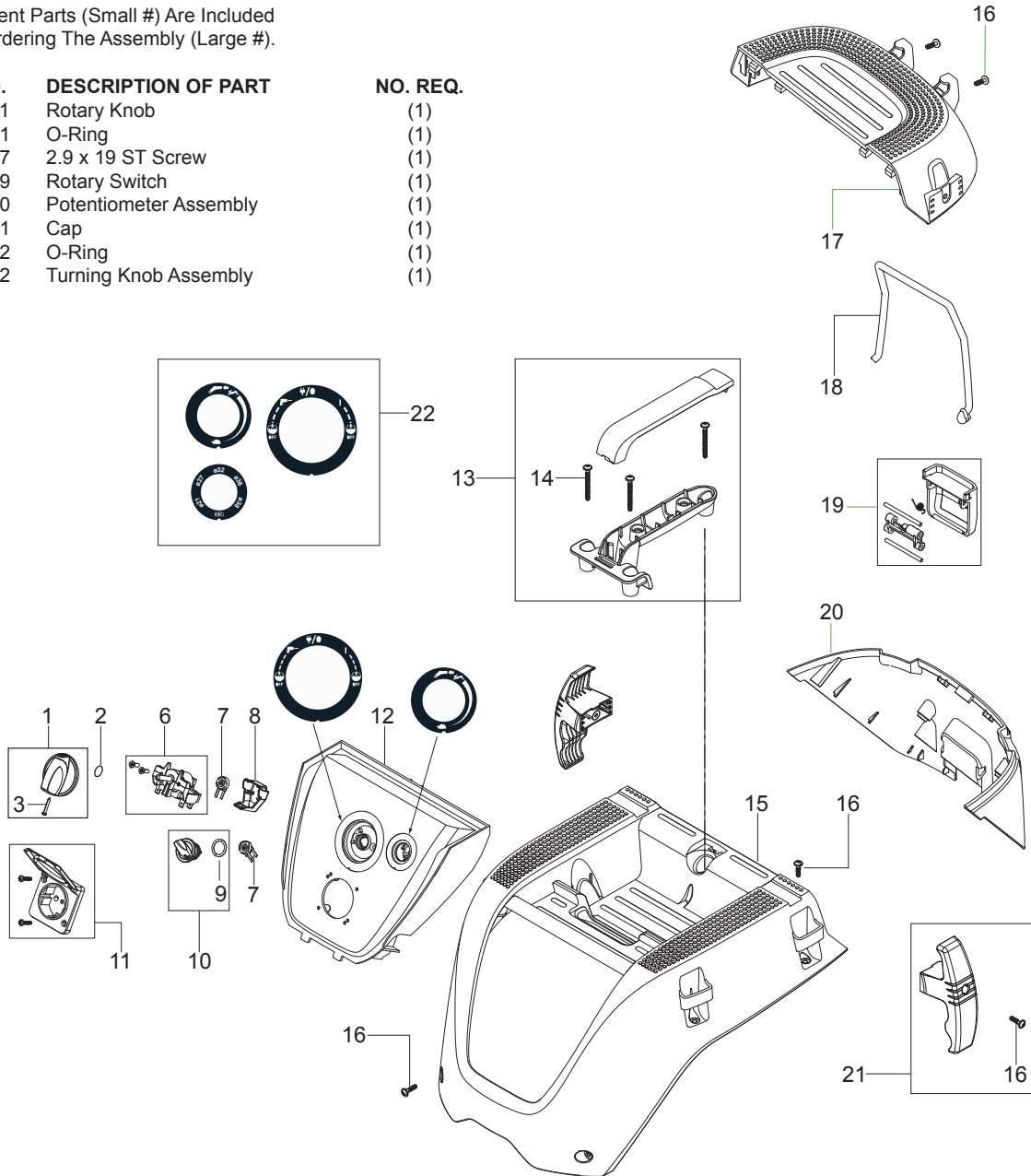
| SPECIFY CATALOG NO. AND SERIAL NO. WHEN ORDERING PARTS | | REVISED BULLETIN | DATE |
|--|----------------|----------------------------|--|
| 8 GALLON DUST EXTRACTOR | | | May 2017 |
| CATALOG NO. | 8960-20 | STARTING SERIAL NO. | J08A |
| | | | WIRING INSTRUCTION See Page 6 |

EXAMPLE:

| | |
|----|---|
| 00 | 0 |
|----|---|

 Component Parts (Small #) Are Included When Ordering The Assembly (Large #).

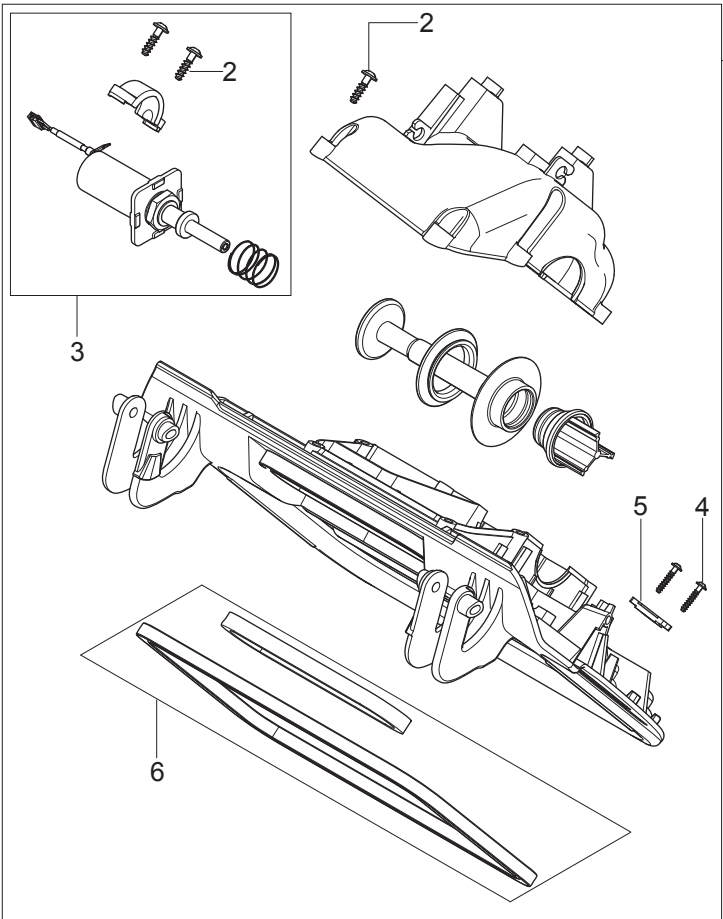
| FIG. | PART NO. | DESCRIPTION OF PART | NO. REQ. |
|------|------------|------------------------|----------|
| 1 | 43-98-0011 | Rotary Knob | (1) |
| 2 | 34-40-0241 | O-Ring | (1) |
| 3 | 06-82-0127 | 2.9 x 19 ST Screw | (1) |
| 6 | 23-66-0069 | Rotary Switch | (1) |
| 7 | 23-45-0100 | Potentiometer Assembly | (1) |
| 8 | 42-52-0021 | Cap | (1) |
| 9 | 34-40-0242 | O-Ring | (1) |
| 10 | 43-98-0012 | Turning Knob Assembly | (1) |



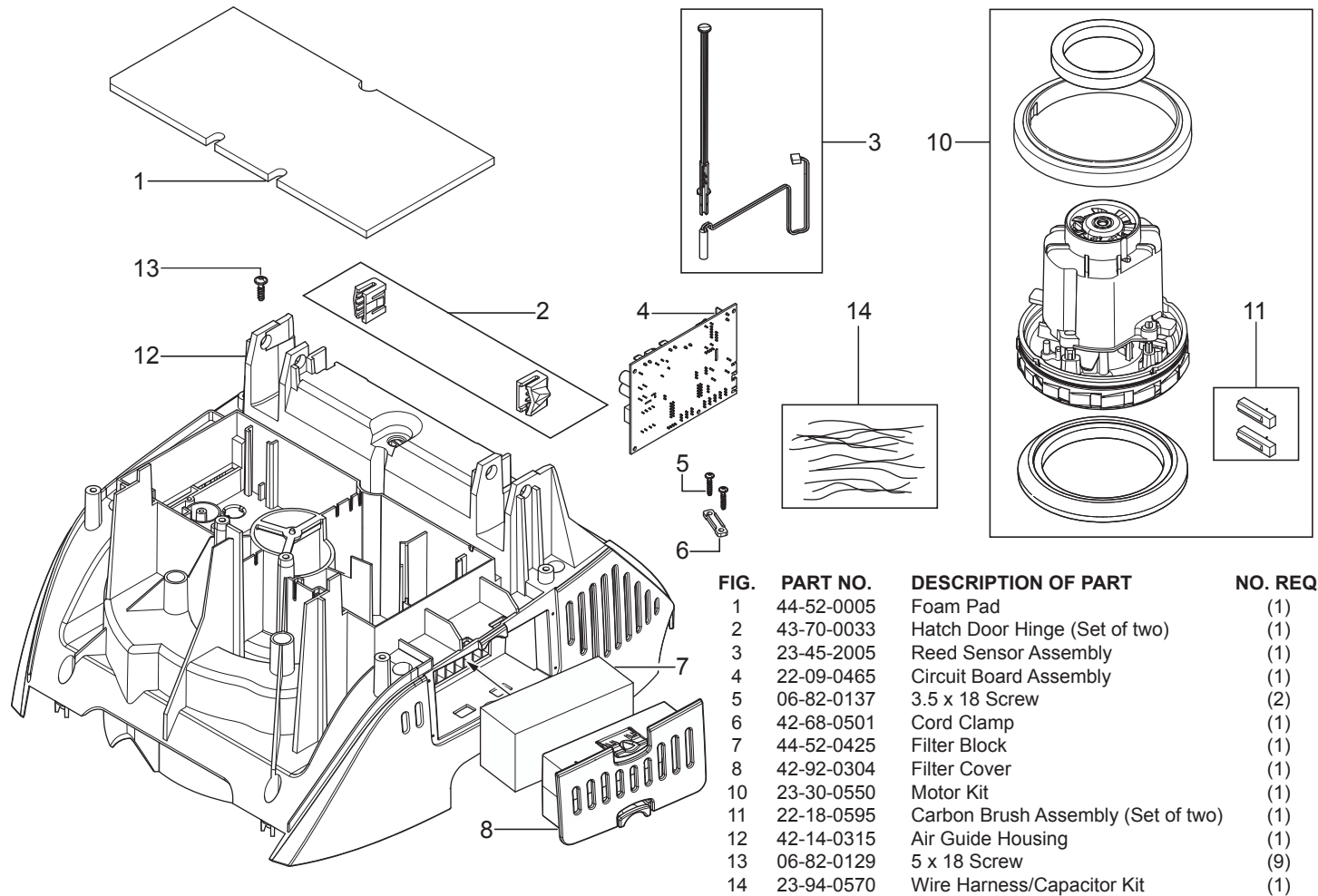
| FIG. | PART NO. | DESCRIPTION OF PART | NO. REQ. |
|------|------------|-------------------------------|----------|
| 11 | 23-33-0066 | Outlet Receptacle | (1) |
| 12 | 23-35-0141 | Control Panel Kit | (1) |
| 13 | 43-62-0211 | Handle Kit | (1) |
| 14 | 06-82-0129 | K50 x 45 Screw | (3) |
| 15 | 42-92-0301 | Top Cover | (1) |
| 16 | 06-82-0132 | 5 x 18 Screw | (17) |
| 17 | 31-21-0300 | Hatch Door | (1) |
| 18 | 45-56-0045 | Cord Strap Kit | (1) |
| 19 | 42-68-0135 | Hatch Door Clamp Kit | (1) |
| 20 | 42-92-0302 | Hatchback Lower Cover | (1) |
| 21 | 43-72-0005 | Hose/Cable Hook | (2) |
| 22 | 14-46-1141 | Control Panel Label Kit | (1) |
| 23 | 12-20-0117 | Service Nameplate (Not Shown) | (1) |

| | |
|---------------|--|
| Page 1 | Cabinet and Control Panel |
| Page 2 | Filter Cleaning System |
| Page 2 | Suction Unit, Floater/Reed Sensor, Flow Sensor, Buzzer and PCBA |
| Page 3 | Baseplate |
| Page 4 | 30L Container |
| Page 5 | Hose, Attachments and Filters |
| Page 6 | Wiring Diagram |

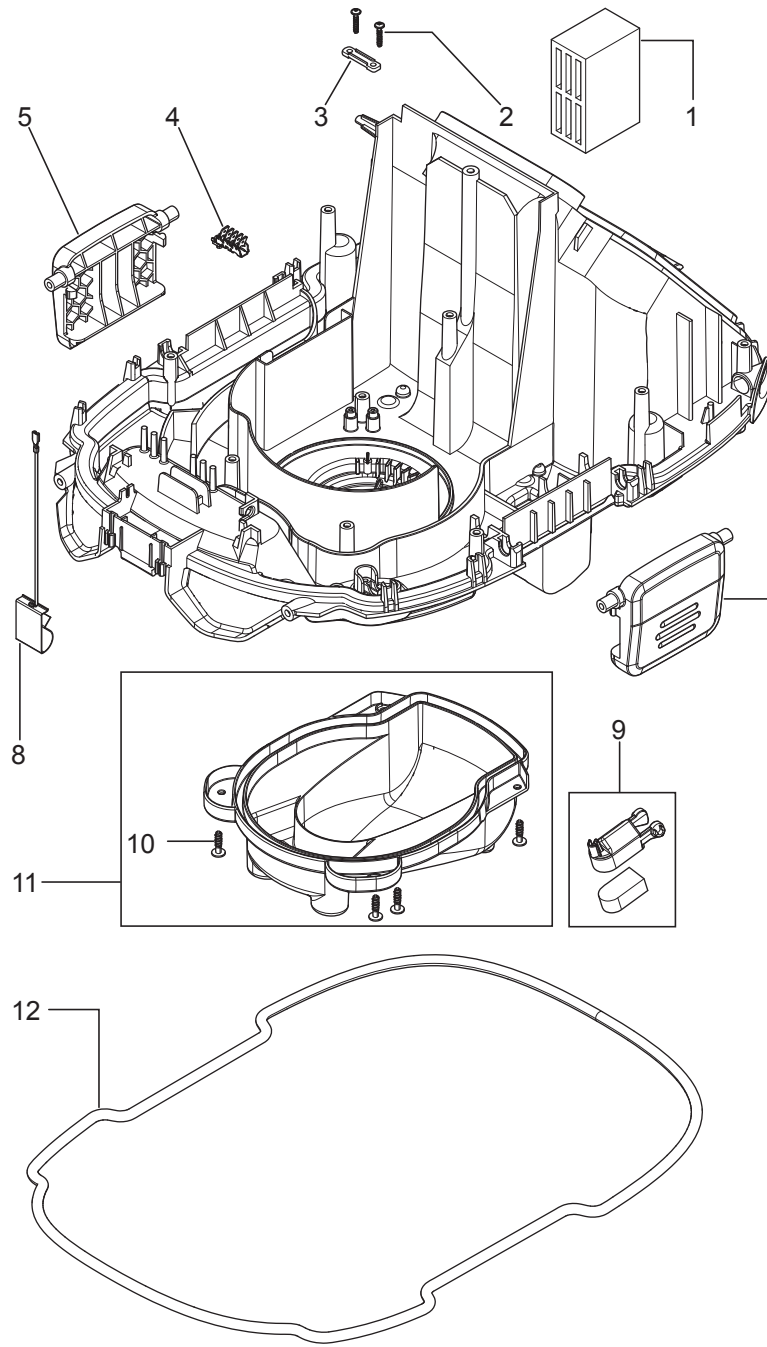
AS AN AID FOR SERVICING, REFER TO REPAIR INSTRUCTION MANUAL 58-92-8960



| FIG. | PART NO. | DESCRIPTION OF PART | NO. REQ. |
|------|------------|------------------------------|----------|
| 1 | 42-92-0303 | Hatch Door Frame Assembly | (1) |
| 2 | 06-82-0129 | 5 x 18 Screw | (15) |
| 3 | 23-84-0110 | Solenoid Kit | (1) |
| 4 | 06-82-0137 | PT35 x 18 Screw | (2) |
| 5 | 42-68-0500 | Cord Clamp | (1) |
| 6 | 43-44-0125 | Hatch Door Filter Gasket Kit | (1) |
| 7 | 49-90-1953 | Main Filter | (1) |

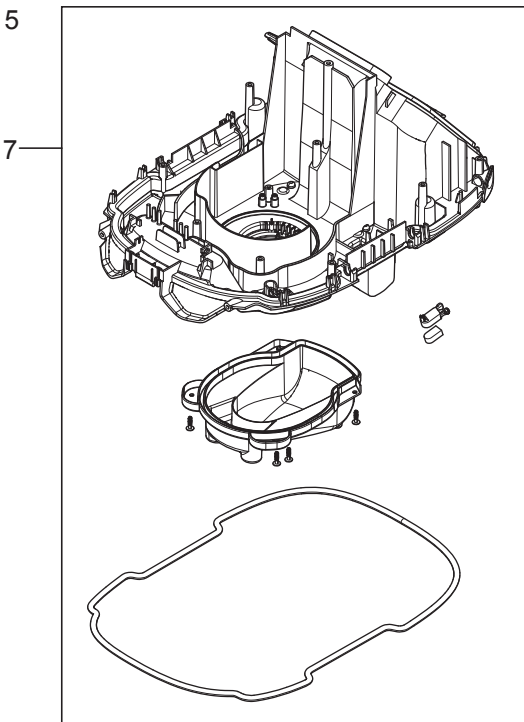


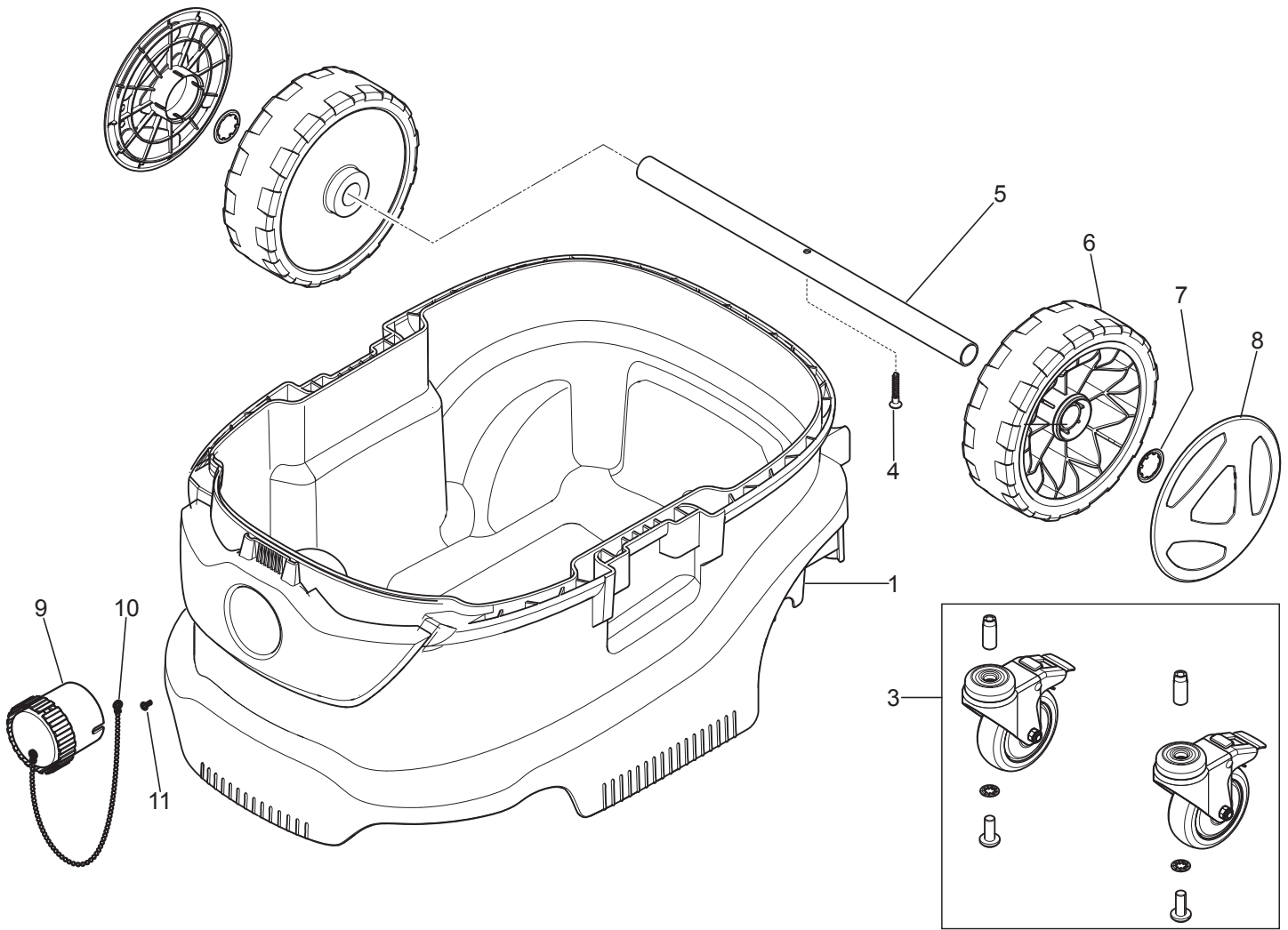
| FIG. | PART NO. | DESCRIPTION OF PART | NO. REQ. |
|------|------------|------------------------------------|----------|
| 1 | 44-52-0005 | Foam Pad | (1) |
| 2 | 43-70-0033 | Hatch Door Hinge (Set of two) | (1) |
| 3 | 23-45-2005 | Reed Sensor Assembly | (1) |
| 4 | 22-09-0465 | Circuit Board Assembly | (1) |
| 5 | 06-82-0137 | 3.5 x 18 Screw | (2) |
| 6 | 42-68-0501 | Cord Clamp | (1) |
| 7 | 44-52-0425 | Filter Block | (1) |
| 8 | 42-92-0304 | Filter Cover | (1) |
| 10 | 23-30-0550 | Motor Kit | (1) |
| 11 | 22-18-0595 | Carbon Brush Assembly (Set of two) | (1) |
| 12 | 42-14-0315 | Air Guide Housing | (1) |
| 13 | 06-82-0129 | 5 x 18 Screw | (9) |
| 14 | 23-94-0570 | Wire Harness/Capacitor Kit | (1) |



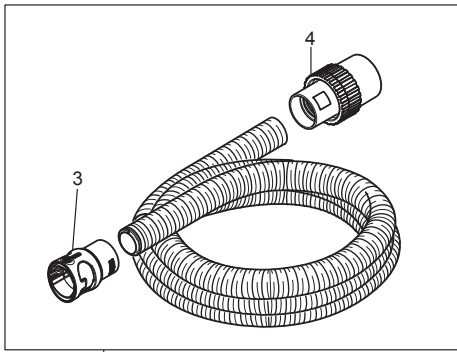
| FIG. | PART NO. | DESCRIPTION OF PART | NO. REQ. |
|------|------------|---------------------|----------|
| 1 | 43-31-0025 | Sound Filter | (1) |
| 2 | 06-82-0137 | 3.5 x 18 Screw | (2) |
| 3 | 42-68-0501 | Cord Clamp | (1) |
| 4 | 43-72-0340 | Distribution Strip | (1) |
| 5 | 42-68-0502 | Container Clamp | (2) |
| 6 | 22-64-0935 | Power Cord | (1) |

| | | | |
|----|------------|----------------------------------|-----|
| 7 | 42-20-0375 | Base Plate Assembly Kit | (1) |
| 8 | 23-94-0395 | Anti-Static Ground Clip Assembly | (1) |
| 9 | 44-26-0022 | Floater with Magnet | (1) |
| 10 | 06-82-0139 | K50 x 18 PT Screw | (4) |
| 11 | 42-92-0305 | Air Flow Cover Kit | (1) |
| 12 | 43-44-0995 | Container Gasket | (1) |

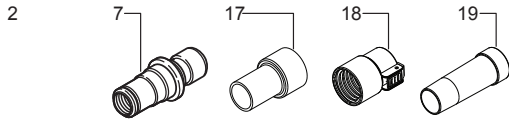




| FIG. | PART NO. | DESCRIPTION OF PART | NO. REQ. |
|------|------------|-------------------------------|----------|
| 1 | 45-66-0160 | 30L Container | (1) |
| 3 | 45-94-0505 | Castor Wheel Kit (Set of two) | (1) |
| 4 | 06-82-0146 | K50 x 35 Screw | (1) |
| 5 | 42-12-0310 | Wheel Axle | (1) |
| 6 | 45-94-0507 | Rear Wheel | (2) |
| 7 | 34-80-2985 | Clamping Ring | (2) |
| 8 | 42-52-0180 | Wheel Cap | (2) |
| 9 | 44-68-0015 | Hose Inlet Plug | (1) |
| 10 | 42-60-0205 | 150mm Bead Chain | (1) |
| 11 | 06-82-0147 | KA35 x 8 Screw | (1) |



| FIG. | PART NO. | DESCRIPTION OF PART | NO. REQ. |
|------|------------|--------------------------|----------|
| 2 | 43-75-0300 | Hose | (1) |
| 3 | 42-04-0260 | Quick System Hose Sleeve | (1) |
| 4 | 42-04-0265 | Hose Sleeve | (1) |
| 7 | 49-90-1957 | Power Tool Adapter | (1) |
| 17 | 49-90-1958 | Vacuum Hose Adapter | (1) |
| 18 | 49-90-1959 | DEK26 Adapter | (1) |
| 19 | 49-90-1960 | DE Adapter | (1) |



| FIG. | PART NO. | DESCRIPTION OF PART |
|------|------------|--------------------------------|
| 1 | 49-90-1953 | Main Filter |
| 2 | 43-31-0005 | Motor Cooling Air Filter |
| 3 | 49-90-1952 | HEPA FILTER |
| 4 | 42-92-0306 | HEPA Filter Cover Kit |
| 5 | 49-90-1954 | Disposable Filter Bag - 5 Pack |
| 7 | 49-90-1955 | Fleece Filter Bag - 5 Pack |

| NO. REQ. |
|----------|
| (1) |
| (1) |
| (1) |
| (1) |
| (1) |
| (1) |

