



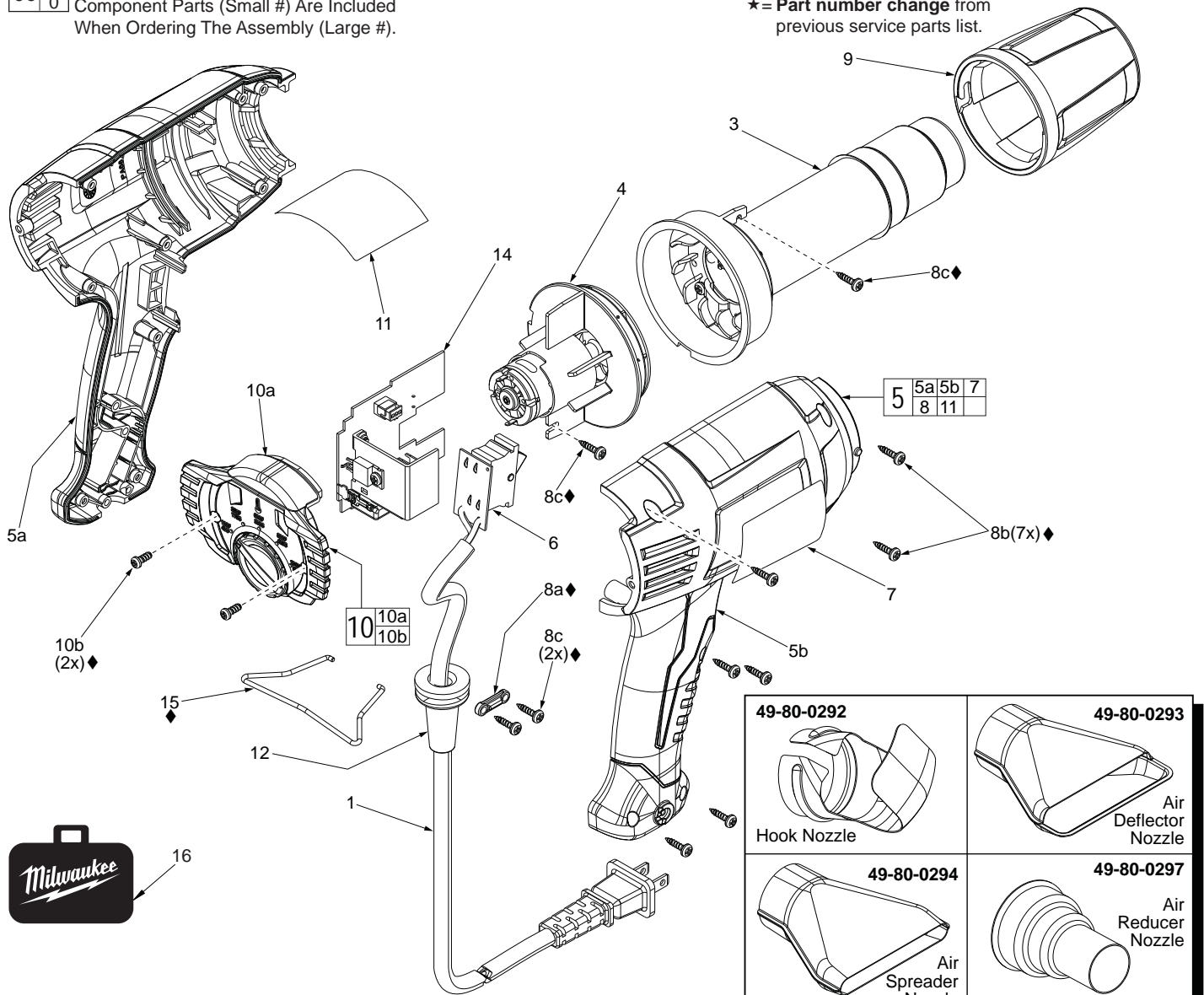
# SERVICE PARTS LIST

**BULLETIN NO.**  
54-05-0652

<b>SPECIFY CATALOG NO. AND SERIAL NO. WHEN ORDERING PARTS</b>			REVISED BULLETIN 54-05-0651	DATE Aug. 2013
<b>D.I. VARIABLE TEMPERATURE HEAT GUN</b>				
<b>CATALOG NO.</b>	<b>8977-20</b>	<b>SERIAL NUMBER</b>	<b>747A</b>	
			WIRING INSTRUCTION <b>See Reverse Side</b>	

**EXAMPLE:**  
Component Parts (Small #) Are Included  
When Ordering The Assembly (Large #).

★ = Part number change from  
previous service parts list.

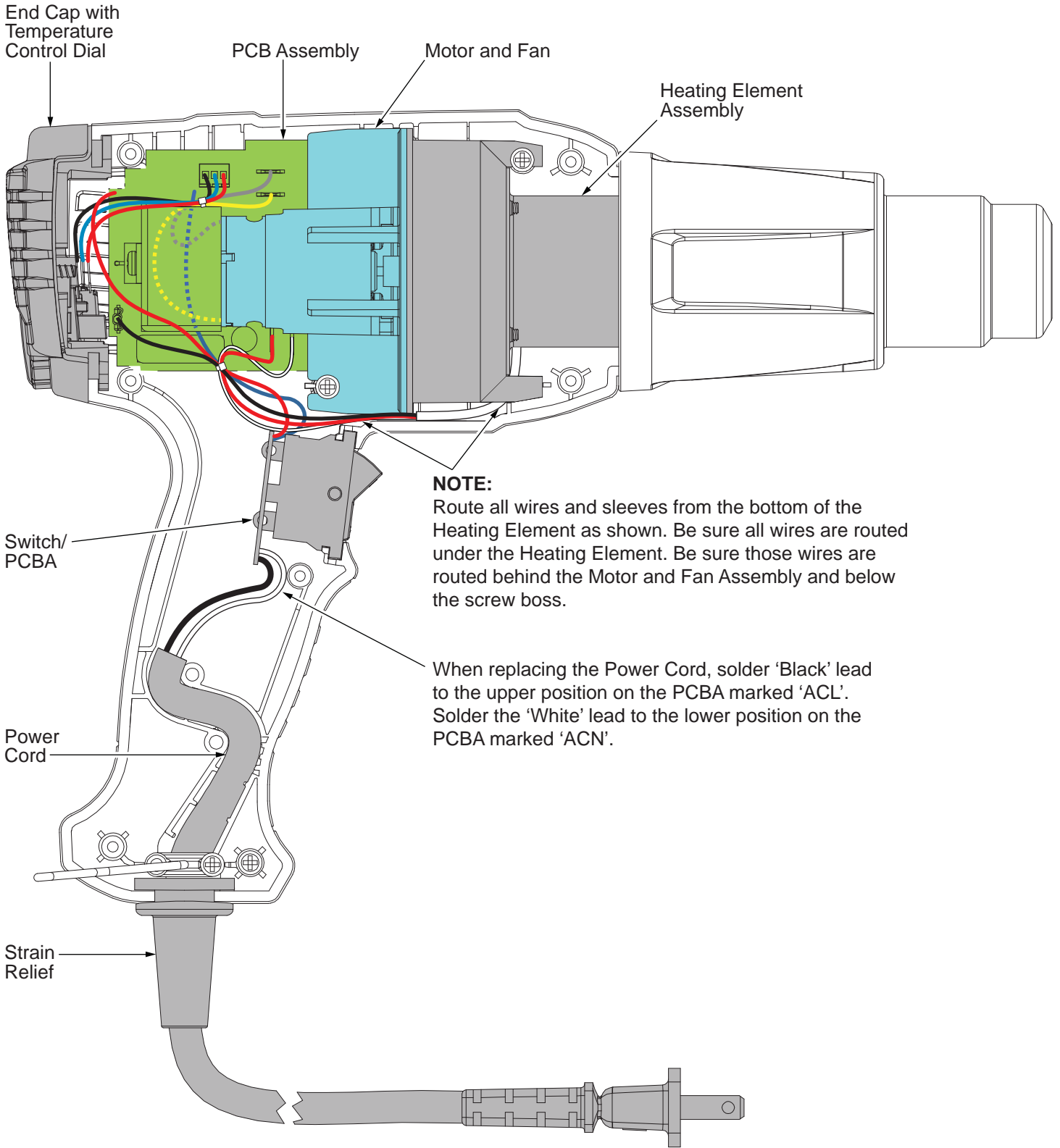


<b>49-80-0292</b>  Hook Nozzle	<b>49-80-0293</b>  Air Deflector Nozzle
<b>49-80-0294</b>  Air Spreader Nozzle	<b>49-80-0297</b>  Air Reducer Nozzle

**Cat. No. 49-80-0300**  
**Heat Gun Accessory Assortment**  
Includes the four accessories listed above.

FIG.	PART NO.	DESCRIPTION OF PART	NO. REQ.
★ 1	22-64-8975	Cord Set	(1)
★ 3	-----	Heating Element Assembly	(1)
★ 4	14-50-0435	Motor and Fan Assembly	(1)
★ 5	14-46-8977	Handle Service Kit	(1)
★ 5a	-----	Left Handle Halve	(1)
★ 5b	-----	Right Handle Halve	(1)
★ 6	-----	Switch/PCBA	(1)
★ 7	12-20-8975	Service Nameplate Kit	(1)
★ 8	14-46-8979	Repair Service Kit (Includes all ♦ items)	(1)
★ 8a	-----♦	Cord Clamp	(1)
★ 8b	-----♦	M3 x 13 Phillips Pan Hd. Screw	(7)
★ 8c	-----♦	M3 x 13 Phillips Pan Hd. Screw	(4)
★ 9	44-90-8975	Nose Shield	(1)
★ 10	31-12-8977	End Cap Service Kit	(1)
★ 10a	-----	End Cap	(1)
★ 10b	-----♦	M3.5 x 8 Phillips Pan Hd. Screw	(2)
★ 11	10-20-0112	Warning Label	(1)
★ 12	44-76-8975	Strain Relief	(1)
★ 14	-----	PCB Assembly	(1)
★ 15	-----♦	Wire Tool Support	(1)
★ 16	42-55-8975	Carrying Case	(1)

<b>8 ♦ 14-46-8979 Repair Service Kit</b>				
Consists of:				
Fig.	Description of Part	Where Used	Color	Qty.
10b	M3.5 x 8 Phillips Pan Hd. Screw	End Cap	Black	2
8b	M3 x 13 Phillips Pan Hd. Screw	Right Handle	Black	7
8c	M3 x 13 Phillips Pan Hd. Screw	Heating Element	Chrome	2
8c	M3 x 13 Phillips Pan Hd. Screw	Cord Clamp	Chrome	2
15	Wire Tool Support	Handle Halves	----	1
8a	Cord Clamp	Left Handle	----	1



**NOTE:**  
Route all wires and sleeves from the bottom of the Heating Element as shown. Be sure all wires are routed under the Heating Element. Be sure those wires are routed behind the Motor and Fan Assembly and below the screw boss.

When replacing the Power Cord, solder 'Black' lead to the upper position on the PCBA marked 'ACL'. Solder the 'White' lead to the lower position on the PCBA marked 'ACN'.