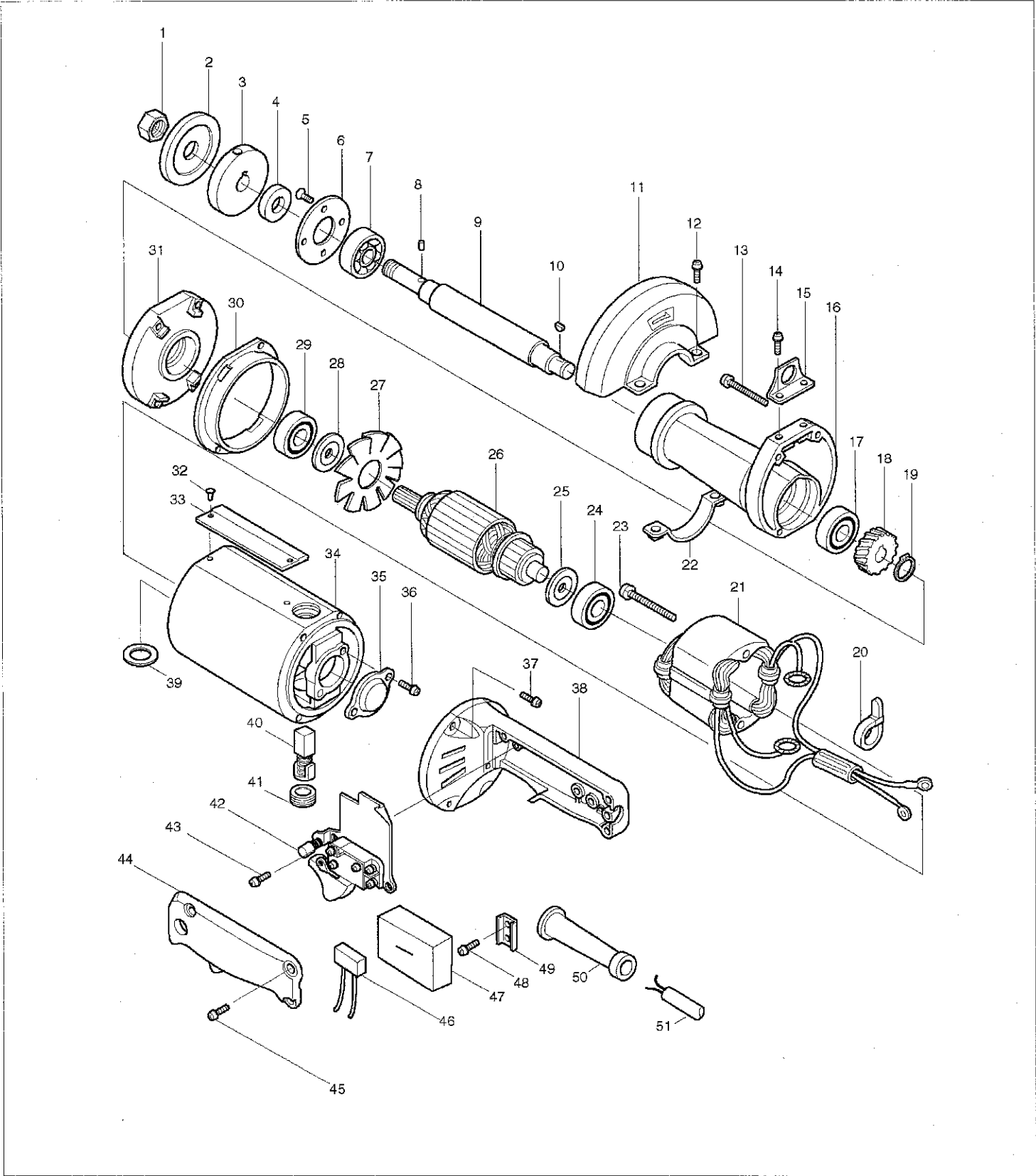


# SERVICE DRAWING

MODEL NO. 9105



# SPARE PARTS LIST

MODEL NO. 9105

ITEM	PART NO.	DESCRIPTION	QTY	NOTE
001	252041-4	NUT	1	
002	224090-1	INNER/OUTER FLANGE	1	
003	224089-6	INNER FLANGE	1	
004	257025-7	RING	1	
005	912116-8	SCREW M4 X 12	4	
006	285621-1	BEARING RETAINER	1	
007	211258-8	BALL BEARING	1	
008	256009-2	PIN	1	
009	325312-3	SPINDLE	1	
010	254002-0	KEY	1	
012	911216-1	SCREW M5 X 14	2	
013	911261-6	P.H. SCREW M5 X 40	4	
014	911216-1	SCREW M5 X 14	2	
015	342004-9	HANGER	1	
016	316099-8	GEAR HSG TYPE 2	1	
017	211258-8	BALL BEARING	1	
018	221126-7	GEAR	1	
019	961052-5	STOP RING S-12	1	
020	687010-0	BAND	1	
021	523002-4	USE MC# 623002-5	1	
022	342472-6	HOLDER	1	
023	911290-9	P.H. SCREW M5 X 65	2	
024	211066-7	BALL BEARING	1	
025	213051-6	SEAL	1	
026	513152-3	USE MC# 613152-4	1	
		INC. 24-29		
027	241013-4	FAN	1	
028	213102-5	DUST SEAL 12	1	
029	211108-7	BALL BEARING	1	
030	343086-4	FAN GUIDE	1	
031	316097-2	GEAR HSG COVER TYPE 2	1	
032	953106-2	RIVET 0-5	2	
033	*****	*****	***	*****
034	*****	*****	***	*****
035	285006-1	COVER	1	
036	911206-4	SCREW M5 X 10	2	
037	911231-5	SCREW M5 X 20	4	
038	*****	*****	***	*****
039	681002-1	WASHER	2	
040	181047-4	CARBON BRUSH CB-154	1	
041	643650-4	BRUSH HOLDER CAP	2	
042	651016-4	SWITCH TYPE 2	1	
043	911106-8	P.H. SCREW M4 X 8	2	
044	*****	*****	***	*****
045	911121-2	SCREW M4 X 14	3	
048	911123-8	SCREW M4 X 14	2	
049	687001-1	STRAIN RELIEF	1	
050	682503-2	CORD GUARD 8 X 90	1	
051	664630-7	POWER SUPPLY CORD AWG#18-3-2.5	1	
400	794031-6	DEPRESSED CENTER WHEEL SET 125	1	
401	781030-7	WRENCH 24	1	
402	262517-3	SLEEVE 17	1	
900	164841-9	WHEEL COVER TYPE 2	1	

# SPARE PARTS LIST

---

PAGE 2

MODEL NO. 9105

ITEM	PART NO.	DESCRIPTION	QTY	NOTE
901	164842-7	SIDE COVER	1	
902	951125-2	SPRING PIN 4-32	1	
903	924101-9	T. SCREW M4 X 6	2	
904	941051-3	FLAT WASHER 4	2	
905	942051-6	SPRING WASHER 4	2	

---