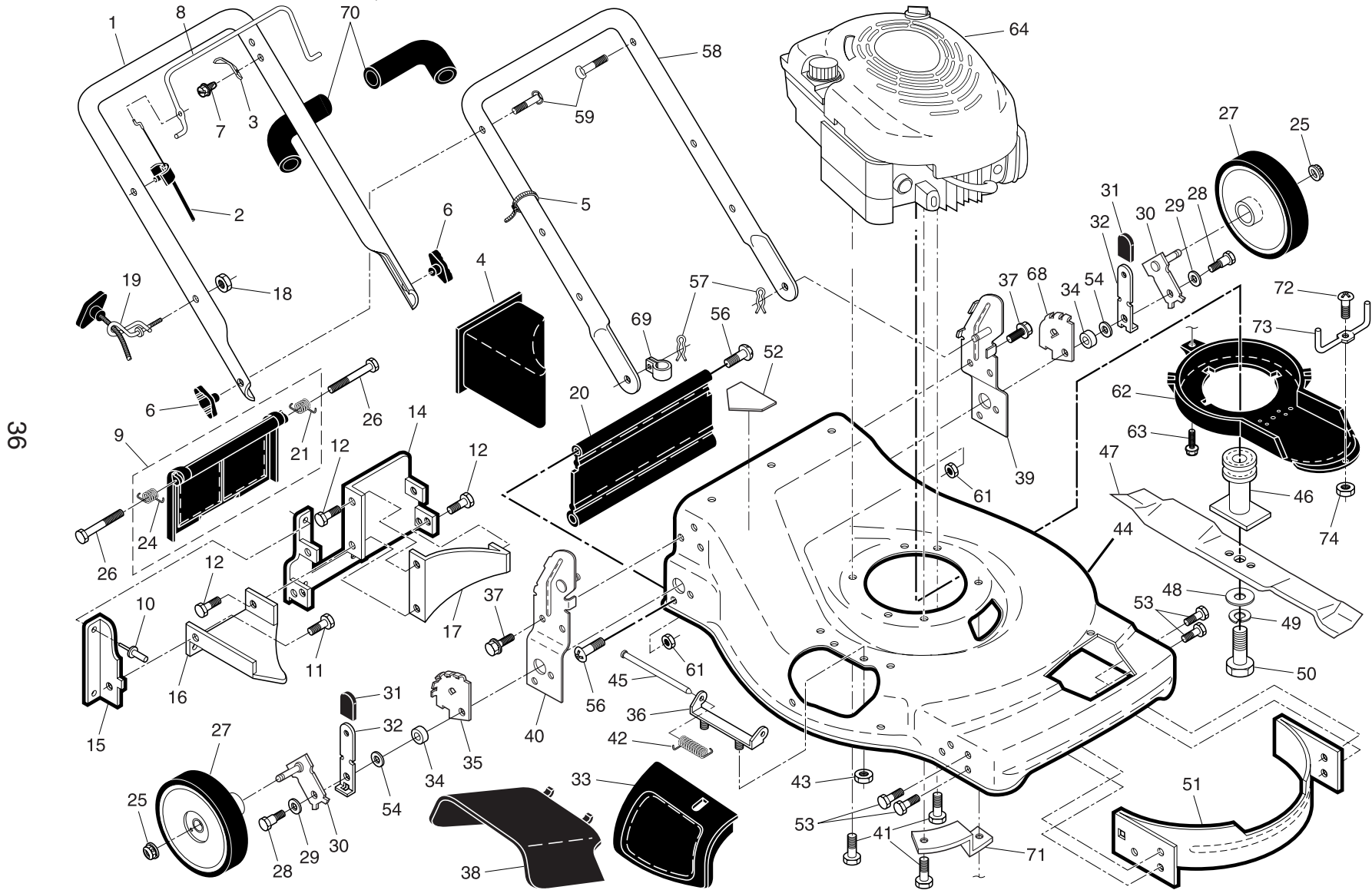


HUSQVARNA ROTARY LAWN MOWER - - MODEL NUMBER 917.375810



REPAIR PARTS

HUSQVARNA ROTARY LAWN MOWER - - MODEL NUMBER 917.375810

KEY NO.	PART NO.	DESCRIPTION	KEY NO.	PART NO.	DESCRIPTION	KEY NO.	PART NO.	DESCRIPTION
1	196403	Upper Handle Assembly (Includes Foam Grip)	28	142748	Bolt, Shoulder 3/8-16 x 1	53	17600406	Screw
			29	62335	Washer, Belleville	56	88652	Screw, Hinge 1/4-20 x 1-1/4
2	183567	Engine Zone Control Cable	30	145935X007	Axle Arm Assembly	57	51793	Hairpin Cotter
3	850733X004	Bracket, Upstop	31	196401	Selector Knob	58	151590X498	Lower Handle
4	166649	Mulcher Plug	32	700331X004	Selector Spring	59	191574	Handle Bolt
5	66426	Wire Tie	33	189917X418	Mulcher Door	61	751592	Nut
6	189713X418	Handle Knob	34	146630	Spacer	62	199314	Debris Shield
7	750634	Screw	35	133757X007	Wheel Adjusting Bracket, RH	63	192325	Screw, Debris Shield
8	194580X422	Control Bar	36	175735	Hinge Bracket Assembly	64	- - -	Engine, Briggs & Stratton, Model No. 125K02-0654-E1 (see Breakdown)
9	193679	Rear Door Assembly (Includes Springs)	37	150078	Screw, Sems, Thread Cutting 5/16-18 x 3/4			
10	128415	Pop Rivet	38	402574X418	Discharge Deflector	68	133759X007	Wheel Adjusting Bracket, LH
11	150050	Screw, Self-Tapping #10-24 x 5/8	39	195916X479	Handle Bracket Assembly, LH	69	192770	Clip, Cable
12	54583	Screw, Hex Head, Sems 1/4-20 x 1/2	40	195917X479	Handle Bracket Assembly, RH	70	182748	Foam Grip
14	195622X479	Back Plate	41	150406	Bolt, Hex Head, Engine 3/8-16	71	188839X004	Mounting Bracket, DebrisShield
15	700365X479	Side Baffle	42	193000	Spring, Torsion	72	182227	Screw #8
16	176655X479	Discharge Baffle	43	73800400	Nut, Hex, Nylock	73	197162	Belt Keeper
17	140661X479	Rear Baffle	44	197556	Kit, Lawn Mower Housing (Includes Key #14, 15 and 51)	74	182228	Nut, Hex
18	132004	Keps Locknut 1/4-20	45	175650	Rod, Hinge	--	161058	Warning Decal (not shown)
19	194788	Rope Guide	46	194037	Blade Adapter / Pulley	--	402548	Owner's Manual
20	189008	Rear Skirt	47	141114	Blade, 22"	Available accessories not included with mower:		
21	170938	Spring, Rear Door, LH	48	851074	Washer, Hardened	--	71 33623	Gas Can (2.5 Gallon Container)
24	170939	Spring, Rear Door, RH	49	850263	Washer, Helical	--	71 33500	Fuel Stabilizer
25	83923	Nut, Hex, Flanged	50	851084	Screw, Machine, Hex Head 3/8-24 x 1-3/8 Grade 8	--	71 33000	SAE 30W Oil (20 Ounce Bottle)
26	184193	Bolt, Rear Door	51	170031	Front Baffle			
27	193909X460	Wheel & Tire Assembly, Rear	52	85463	Danger Decal			

NOTE: All component dimensions given in U.S. inches. 1 inch = 25.4 mm.

IMPORTANT: Use only Original Equipment Manufacturer (O.E.M.) replacement parts. Failure to do so could be hazardous, damage your lawn mower and void your warranty.

HUSQVARNA ROTARY LAWN MOWER - - MODEL NUMBER 917.375810

KEY NO.	PART NO.	DESCRIPTION	KEY NO.	PART NO.	DESCRIPTION
1	404142	Drive Control Assembly (Includes Cable)	36	191636	Gearcase Assembly, Complete
2	195745	Cover, Drive Control, Top	38	73800400	Locknut, Hex 1/4-20
3	187353	Pulley	40	192849	Spring
4	190039	Lever, Drive Control	41	195107	Kit, Wheel Adjuster, RH (Includes Knob and Bearing)
5	195744	Cover, Drive Control, Bottom	54	401189	Grassbag Assembly
6	181698	Screw, Torx Head #8 x 5/8	55	86012	Driveshaft Cover
7	400235X479	Mounting Bracket, Drive Control	57	189680	Frame, Grassbag
8	197195	Cable, Drive Control	61	196886	Case, Upper
9	184987	Cap, Drive Control, Bottom	62	197057	Shaft, Output
10	189074	Decal, Drive Control	63	183508	Seal, Output Shaft
11	193912X460	Wheel & Tire Assembly	64	183511	Bushing
12	12000058	E-Ring	65	183509	Washer
13	750003	Gear, Pinion	66	183514	Seal, Worm Shaft
14	189403	Dust Cover	67	183506	Bearing, Ball
15	191017	Pawl, Drive	68	183499	Gear, 27 Teeth
16	67725	Washer, Flat 3/8	69	196884	Fixed Dog Clutch
17	191039	Bearing, Wheel Adjuster	70	183505	Wireform
18	196401	Selector Knob	71	196883	Movable Dog Clutch
25	197163X479	Belt Guide Bracket	72	196882	Fork
26	192325	Screw	73	183513	Screw, Case
27	175262	Pan Head Tapping Screw #10-24 x 2-3/4	74	196881	Case, Lower
28	194407X418	Drive Cover	75	196880	Seal, Lever
29	83923	Locknut, Hex	76	196879	Lever
32	194018	Drive Pulley	77	196878	Screw, Lever
33	196857	V-Belt	78	196877	Spring
35	195110	Kit, Wheel Adjuster, LH (Includes Knob and Bearing)	79	183502	Shaft, Worm

NOTE: All component dimensions given in U.S. inches. 1 inch = 25.4 mm.

IMPORTANT: Use only Original Equipment Manufacturer (O.E.M.) replacement parts. Failure to do so could be hazardous, damage your lawn mower and void your warranty.