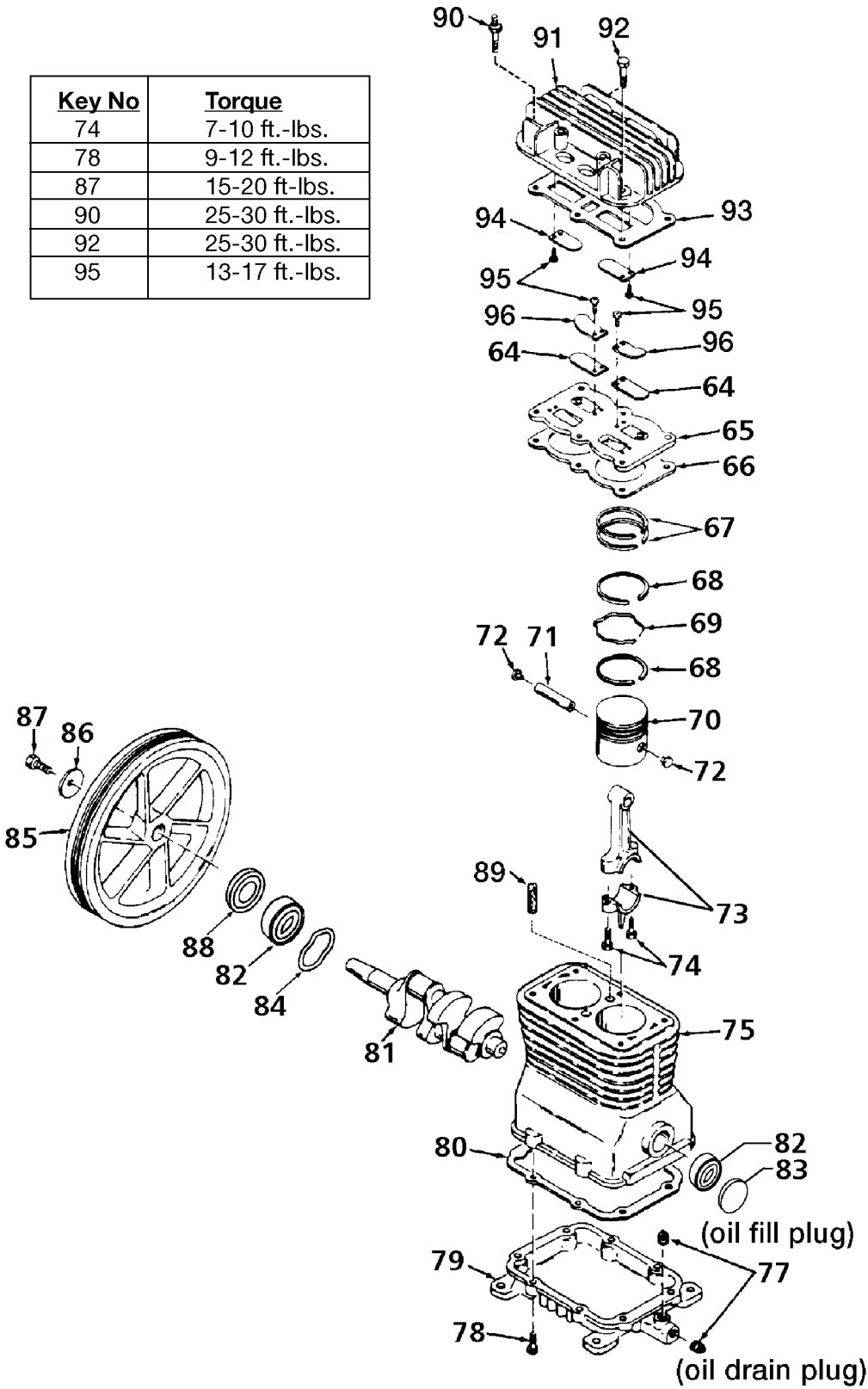
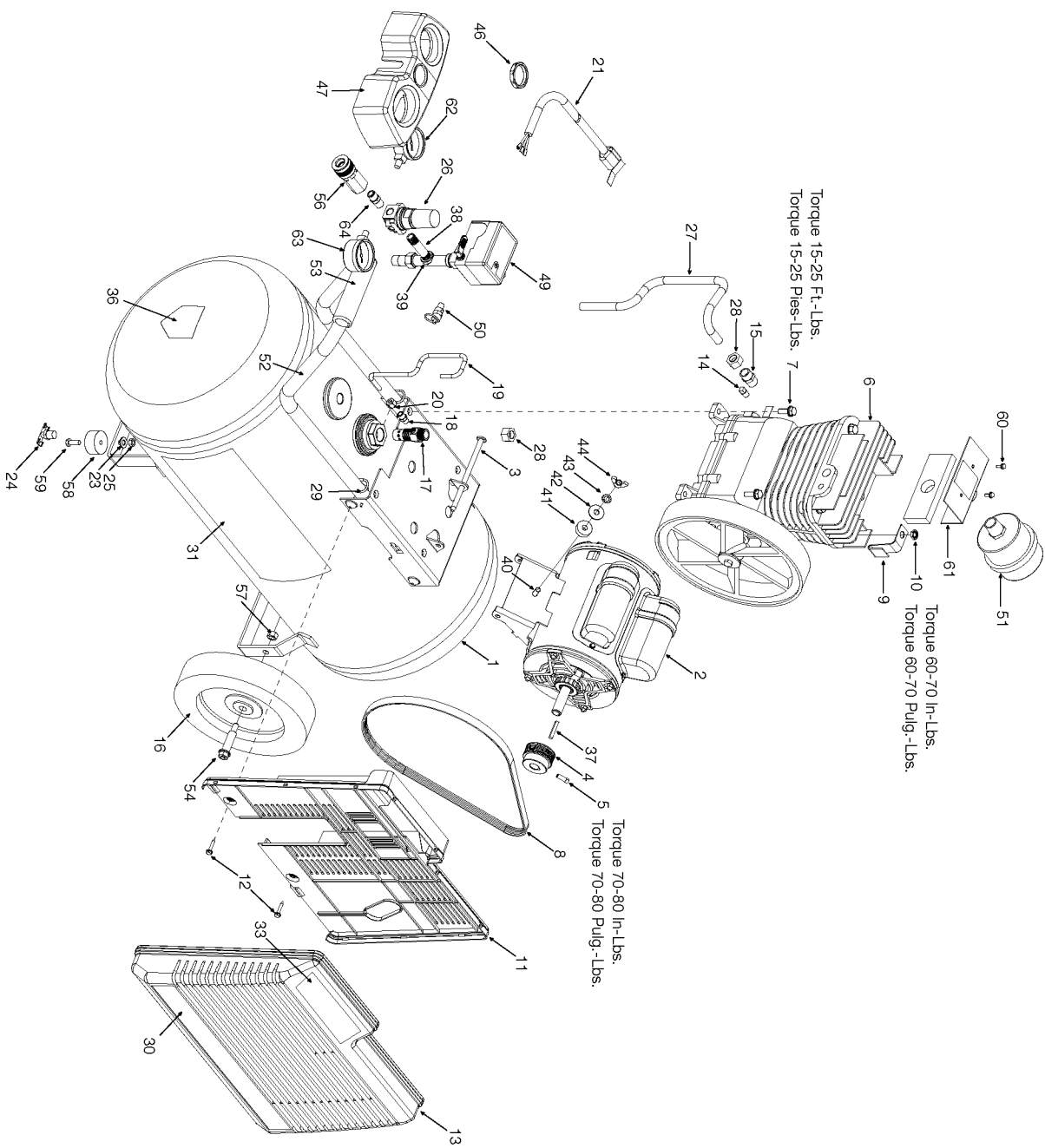


Key No	Torque
74	7-10 ft.-lbs.
78	9-12 ft.-lbs.
87	15-20 ft.-lbs.
90	25-30 ft.-lbs.
92	25-30 ft.-lbs.
95	13-17 ft.-lbs.





## Parts List for 919-19540 Type 0

Item Number	Part Number	Description	Qty Required
1	000000-00	No Longer Available	1
2	000000-00	No Longer Available	1
3	D21594	PIN MOTOR MOUNT OIL	1
4	000000-00	No Longer Available	1
5	SS-391	SCREW .250-20 .625 S	1
7	SSF-928	SCREW .313-18X.875 H	4
8	C-BT-222	BELT 6J 38.0 EFF	1
9	000000-00	No Longer Available	1
10	SSF-8113-ZN	NUT .375-16X.563 HEX	1
11	CAC-323	BELTGUARD INSIDE	1
12	D26742	SCREW #10-16 X .500	1
13	CAC-322	BELTGUARD OUTSIDE	1
14	SS-1215	PLUG PIPE GALV 1/8	1
15	SSP-9401	CONNECTOR BODY STRAI	1
16	D23067	WHEEL PNEUMATIC 10IN	2
17	A19715	VALVE CHECK 1/2NPT X	1
18	SS-8553	CONNECTOR BODY	1
19	AC-0028	TUBE PRES REL .250OD	1
20	SSP-7811	ASSY NUT SLEEVE 1/4	1
21	SUDL-413-2	ASSY CORD POWER ST	1
22	CAC-4215-1	ASSY CORD MOTOR SJT	1
23	330016-13	WASHER	1
24	N286039	DRAIN VALVE	1
25	038738-00	NUT	1
27	AC-0719	TUBE OUTLET COPPER	1
28	SSP-7812	ASSY NUT SLEEVE 1/2	1
29	CAC-1059	CLIP RETAINING	1

## Parts List for 919-19540 Type 0

Item Number	Part Number	Description	Qty Required
30	000000-00	No Longer Available	1
31	LA-3105	LABEL LOGO CRAFTSMAN	1
34	N008805	LABEL WARNING PORT E	1
35	LA-3108	LABEL HOT SURFACE EN	1
36	LA-3027	LABEL DRAIN TANK ENG	1
37	SUDL-65	KEY MOTOR SHAFT	1
38	SSP-480	NIPPLE 1/4-18 NPT X	1
39	AC-0027-2	STANDPIPE BRASS MALE	1
40	CAC-1013	SCREW HOLD DOWN	1
41	CAC-1011	SPRING ELASTOMER	1
42	SSN-56-ZN	WASHER 1 X 11/32 X 1	1
43	N017772	LOCK WASHER	1
44	SS-2038-ZN	NUT .313-18 WING	1
45	000000-00	No Longer Available	1
46	D20155	RING REGULATOR HI-FL	1
47	D20032	COVER	1
49	5140117-68	PRESSURE SWITCH	1
50	97503734	VALVE SAFETY 150 .12	1
51	AC-0330	FILTER INLET SOLBERG	1
52	D20277	HANDLE .875 OD 25G O	1
53	5140118-36	GRIP .875 DIA	1
54	D23574	BOLT .375-16X3.40 UN	1
56	D21109	BODY QC .250 UNIV .2	1
57	SSF-8080-ZN	NUT .375-16 UNC-2B H	1
58	D24721	KIT ISOLATOR W/SCREW	1
59	A07639	SCREW	1
60	5140123-08	SCREW	1

## Parts List for 919-19540 Type 0

Item Number	Part Number	Description	Qty Required
61	AC-0322	ASSY FILTER PLATE	1
62	Z-D21924	GAUGE 2 OD 200PSI 1/	1
63	Z-D21923	GAUGE 2 OD 200PSI 1/	1
64	N053094	NIPPLE	1
65	Z-CAC-4212-1	ASSY VALVE PLATE	1
68	000000-00	No Longer Available	4
69	Z-CAC-57	EXPANDER OIL RING	2
70	CAC-55-1	PISTON MACHINE DWG 2	2
71	265-19	PIN PISTON	2
72	CAC-207	PLUG PISTON PIN	4
73	265-410	ASSY CONNECTING ROD	2
74	SSF-927	SCREW .250-20X1.125	4
75	Z-AC-0205	CRANKCASE & CYLINDER	1
77	SSP-486	PLUG PIPE 3/8 - 18 N	2
78	SSF-925	SCREW .250-20X.875 H	8
79	000000-00	No Longer Available	1
80	265-16-1	GASKET BASE	1
81	Z-D22270	CRANKSHAFT MACH BALL	1
82	SST-104	BEARING 6205C3	2
83	SSP-505	PLUG 52MM OIL	1
84	SSN-1018	WASHER WAVY SPRING 2	1
85	265-2	FLYWHEEL 10 OD CI PO	1
86	SSN-1014-ZN	WASHER .339/.344 ID	1
87	SSF-3039-ZN	SCREW .313-18X.750 H	1
88	AC-0169	SEAL OIL	1
89	265-6	VENT FILTER	1
90	SSF-6627	STUD SHOULDER 3/8-16	1

## Parts List for 919-19540 Type 0

Item Number	Part Number	Description	Qty Required
91	Z-CAC-4213	ASSY HEAD	1
92	SSF-955	SCREW .375-16X1.50 H	5
93	5140118-80	GASKET	1
94	A00723	VALVE FLAPPER INTAKE	2
95	SSF-9821	SCREW #5-40X.250 HHW	8
96	CAC-294	PLATE RESTRICTOR	2
164	A00724	FLAPPER VALVE	1
826	000000-00	No Longer Available	1
856	000000-00	No Longer Available	1
856	5140118-39	GASKET KIT	1
856	K-0655	KIT MOTOR HOLD DOWN	1
856	KK-4275	KIT VALVE	1