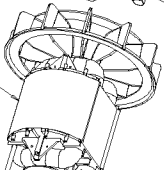


SHOWN FOR
REFERENCE ONLY

29 ORIENT WITH VENTS DOWNWARD AS SHOWN

30 31 TORQUE TO 204-264 IN-LBS

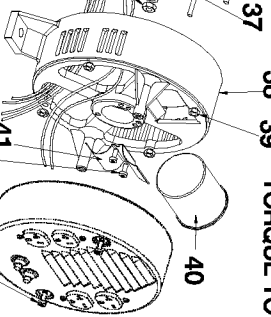


33 TORQUE UNTIL THREADS RUN OUT

TORQUE TO 120-144 IN-LBS

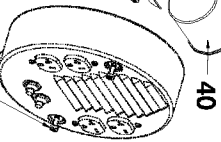
32 34 35 36

TORQUE TO 30-40 IN-LBS

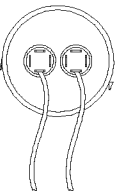


38 39 TORQUE TO 60-70 IN-LBS

42

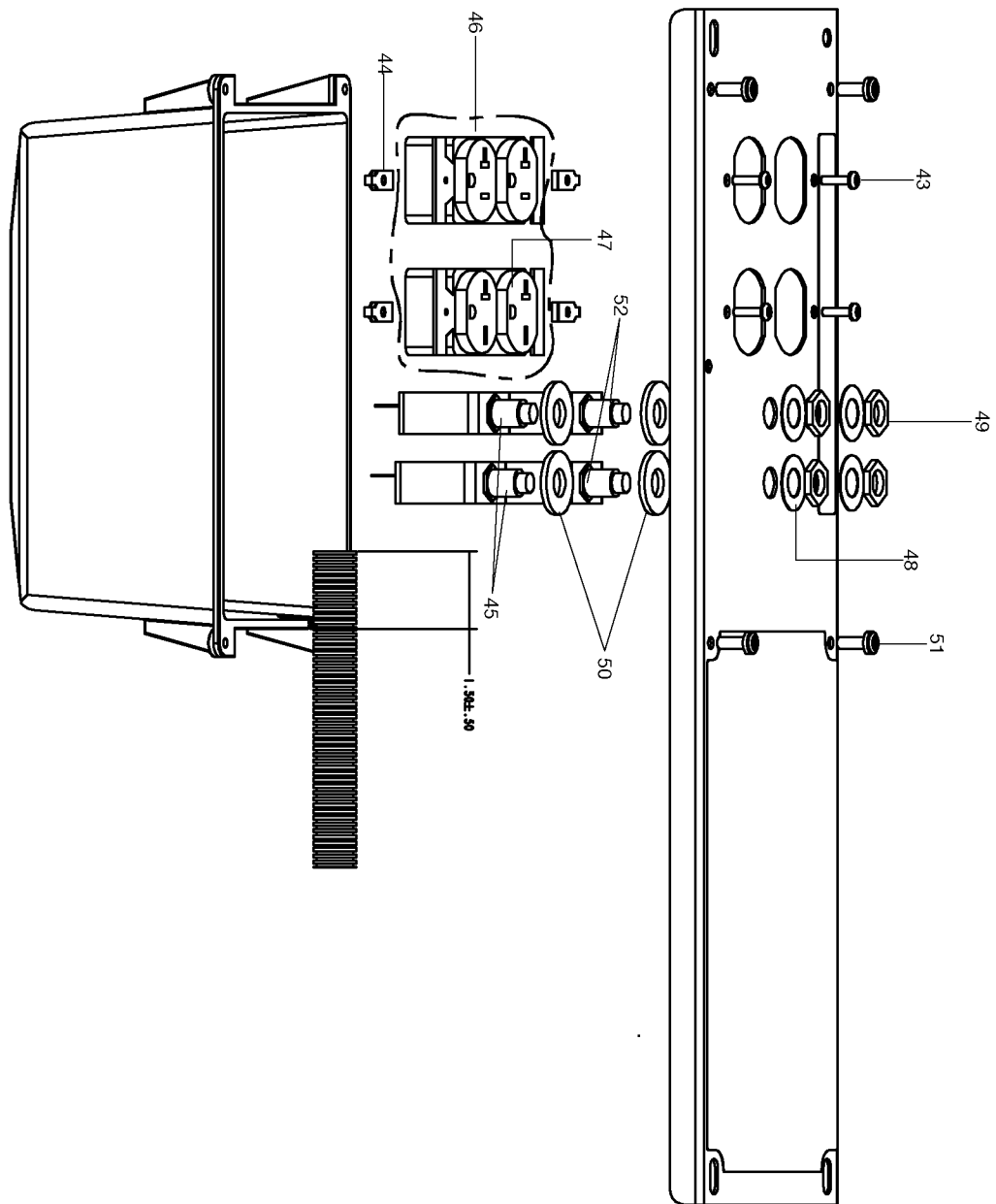


SHOWN FOR
REFERENCE ONLY



CAPACITOR WIRING

SCALE 1:1



Parts List for 919-67947 Type 0

Item Number	Part Number	Description	Qty Required
1	91895680	SCREW .250-20X.750 H	1
2	Z-GS-0795	TANK FUEL 7G SS	1
3	GS-0443	CAP FUEL TANK	1
4	Z-A14582	HOSE FUEL	1
5	GS-0227	CLAMP FUEL .50	1
6	N103455	GROMMET	1
7	GS-0437	DRAIN COCK	1
8	GS-0077	COVER END BLANK	1
10	GS-0033	ISOLATOR VIBRATION 1	1
11	SSN-1014-ZN	WASHER .339/.344 ID	1
12	SSF-8111-ZN	NUT .375-16 HEX WHIZ	1
13	GS-0117	LUG GROUND	1
14	SS-12-CD	SCREW .313-18X.750 H	1
15	SSF-3140-ZN	SCREW .375-16X1.00 H	1
16	SSF-8150	NUT .312-18 UNC HEX	1
17	SSF-3121-ZN	SCREW .313-18X1.75 H	1
18	N017772	LOCK WASHER	1
19	GS-0118	STRAP GROUND	1
20	SSF-628	SCREW .375-16X2.50 H	1
21	000000-00	No Longer Available	1
23	000000-00	No Longer Available	1
24	000000-00	No Longer Available	1
25	330016-13	WASHER	1
26	GS-0746	SPACER ENGINE TECUMS	1
27	SSN-632	WASHER .875 OD .375	1
29	000000-00	No Longer Available	1
30	5130235-00	LOCK WASHER	1

Parts List for 919-67947 Type 0

Item Number	Part Number	Description	Qty Required
31	SSF-616-ZN	SCREW .313-24X1.00 H	1
32	000000-00	No Longer Available	1
32	A04191	KIT SERVICE FOCUS MO	1
33	000000-00	No Longer Available	1
34	000000-00	No Longer Available	1
35	330016-13	WASHER	1
36	SSF-576	NUT .313-24 HEX W/KE	1
37	000000-00	No Longer Available	1
39	SSF-575	NUT .250-20 HEX W/KE	1
41	GS-0592	CAPACITOR 35uF 3% 37	1
42	SSF-553-1	SCREW #10-24X.563 TH	1
43	SSF-583	SCREW #6-32X.500 PAN	1
44	SSF-584	NUT #6-32 SPEED SELF	1
45	D21508	BREAKER CIRCUIT	1
49	SSF-595	NUT .438-28 UNEF HEX	1
50	SS-1525-CD	WASHER WRT 3/8	1
51	SSF-3156	SCREW #10-9X.500 THD	1
52	Z-GS-0024	BREAKER CIRCUIT 125/	1
53	GS-0513	FUEL FILTER TEC 8 &	1
856	GS-0082	DIODE DSA	1