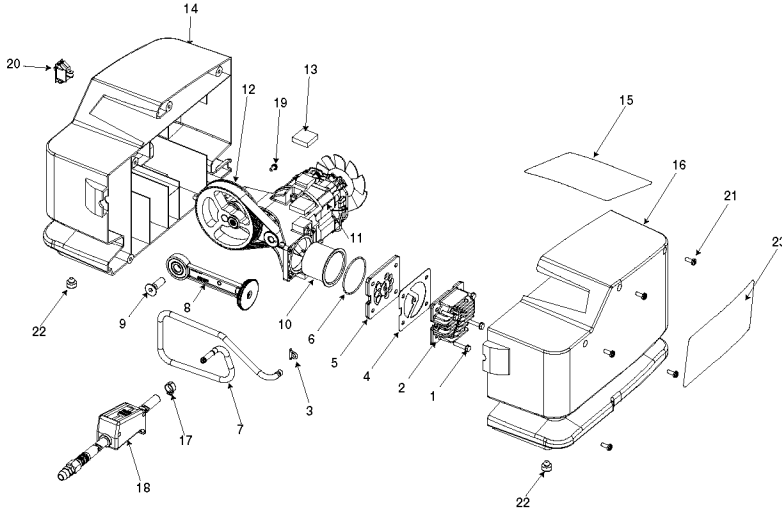


REPAIR PARTS DIAGRAM



KEY

<u>NO</u>	<u>PART NO.</u>	<u>DESCRIPTION</u>
1	x SSF-995	Screw #10-24 x 7/8 (4 used)
2	CAC-1196	Cylinder Head
3	* CAC-1212	Tube Seal
4	* CAC-1199	Head Gasket
5	Z-CAC-4323	Valve Plate Assembly
6	* SSG-8169	"O" Ring
7	AC-0187-1	Outlet Tube
8	> -----	Rod Assembly
9	x SSF-3147	Screw 3/8-16 x 1.25
10	> -----	Cylinder Sleeve
11	Z-D23584	Endbell Assembly
12	AC-0815	Timing Belt
13	* D25731	Pump Isolator (5 used)
14	CAC-1319-1	Shroud (left)
15	D21709	Label, Tool Rating
16	CAC-1320	Shroud (right)
17	CAC-1206-1	Clamp
18	CAC-4324	Pressure Valve Assembly and Hose
19	x SUDL-9-1	Screw, Ground
20	SSS-16	Switch
21	x SSF-3156	Shroud Screws (5 used)
22	* CAC-1211	Housing Isolator (3 used)
23	D24484	Label, Performance

NOT ILLUSTRATED

* KK-4930	Isolator Kit
x KK-4929	Fastener Kit
> KK-4964	Connecting Rod Kit
D24483	Owner's Manual
LA-3155	Label, Warning
D23786	Power Cord
D23787	Jumper Wire

Parts List for 919-72411 Type 0

Item Number	Part Number	Description	Qty Required
1	SSF-995	SCREW #10-24X.875 HH	4
2	CAC-1196	HEAD UMC	1
3	N044359	TUBE SEAL	1
4	Z-D24819	GASKET HEAD UMC GRAP	1
6	SSG-8169	ORING 2.132/2.096ID	1
7	AC-0187-1	TUBE OUTLET UMC	1
8	N036518	CON ROD ASSY	1
9	A19123	SCREW	1
10	N036518	CON ROD ASSY	1
11	N087118SV	PUMP ASSEMBLY	1
12	AC-0815	BELT TIMING DAYCO	1
13	D25731	ISOLATOR PUMP	5
16	A15590	SHROUD KIT	1
17	CAC-1206-1	CLAMP HOSE .250 ID H	1
18	CAC-4324	ASSY PRESS ADJ VALVE	1
19	SUDL-9-1	SCREW #8-32X.375/.34	1
20	SSS-16	SWITCH SINGLE POLE 1	1
21	SSF-3156	SCREW #10-9X.500 THD	5
22	CAC-1211	HOUSING ISOLATOR	3
835	000000-00	No Longer Available	1
856	A04772	WIRE JUMPER 18 GA YE	1
856	N036518	CON ROD ASSY	1
856	D23786	CORD POWER SJT 14G U	1
856	D30139	KIT GRAPHITE GASKET	1
856	KK-4929	KIT FASTENER	1