



SERVICE PARTS LIST

**BULLETIN NO.
54-02-0900**

SPECIFY CATALOG NO. AND SERIAL NO. WHEN ORDERING PARTS		REVISED BULLETIN	DATE Oct. '86
6 TON LEVER HOIST		WIRING INSTRUCTION NONE	
CATALOG NO. 9548, 9549	DATE CODE 4-86		

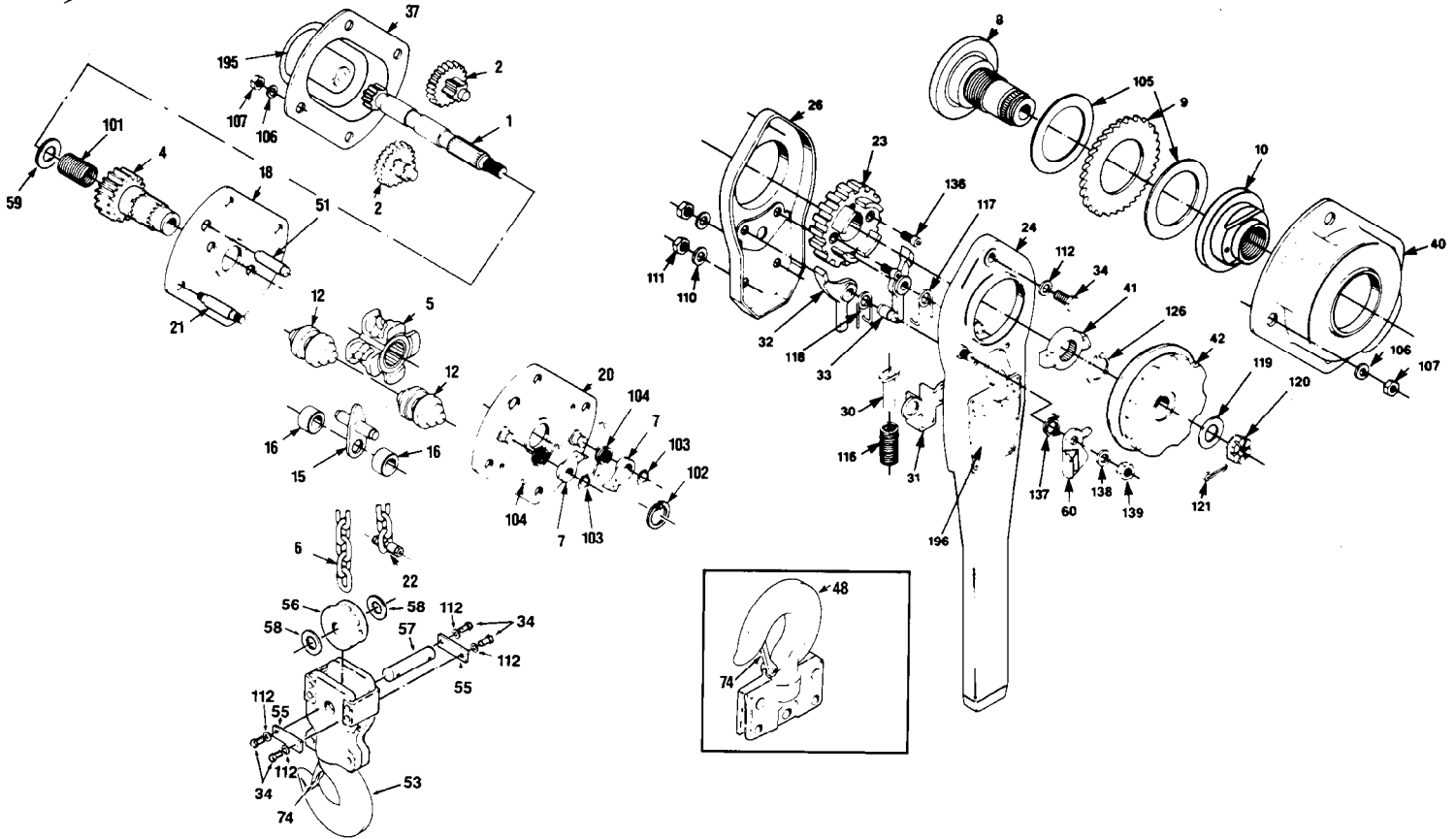


FIG.	PART NO.	DESCRIPTION OF PART	NO. REQ.	FIG.	PART NO.	DESCRIPTION OF PART	NO. REQ.
1	14-47-0480	Pinion Shaft (Incl. Fig. 59, 101)	(1)				
2	32-60-2285	Pinion Gear	(2)				
4	14-47-0230	Output Gear Kit (Incl. Fig. 102)	(1)				
5	45-11-0080	Load Sheave	(1)				
7	14-47-0310	Pawl Kit (Incl. Fig. 9, 103)	(1)				
8	43-78-0375	Disc Hub	(1)				
10	45-88-8065	Disc Nut Washer	(1)				
12	14-47-0510	Chain Guide Kit	(1)				
15	14-47-0580	Chain Stripper Assembly (Incl. Fig. 16)	(1)				
18	44-66-5630	Gear Side Plate	(1)				
20	44-66-5645	Handle Side Plate	(1)				
21	14-47-0560	Stay Bolt Kit (Incl. Fig. 106, 107)	(4)				
22	45-52-2060	Stop	(1)				
23	14-47-0390	Disc Nut Kit (Incl. Fig. 136)	(1)				
24	14-47-0450	Operating Handle Kit (Incl. Fig. No. 26, 110, 111, 112, 196, 34)	(1)				
31	14-47-0400	Spring Shaft Kit (Incl. Fig. 30, 116)	(1)				
33	14-47-0380	Handle Pawl Kit (Incl. Fig. 32, 117, 118)	(1)				
34	14-47-0530	Bottom Block Kit (Incl. Fig. 55, 58, 112)	(1)				
37	42-92-0635	Gear Cover	(1)				
40	42-92-0650	Ratchet Cover	(1)				
41	14-47-0370	Parts Kit (Incl. Fig. 119, 120, 121, 126)	(1)				
42	43-98-0335	Free Chain Knob	(1)				
48	14-36-0090	Top Hook Assembly (Incl. Fig. 74)	(1)				
51	44-60-0960	Yoke Pin	(1)				
53	14-36-0130	Bottom Hook Assembly (Incl. Fig. 74)	(1)				
56	14-47-0520	Sheave & Pin Kit (Incl. 57)	(1)				
60	14-47-0410	Free Chain Lever Kit (Incl. Fig. 137, 138, 139)	(1)				
74	14-47-0270	Latch Kit	(2)				
105	14-47-0340	Brake Kit (Incl. Fig. 103, 104)	(1)				
195	10-37-0010	Caution Label	(1)				
						(For Catalog No. 9548)	
	196	12-40-0125	Nameplate	(1)			
	6	42-60-0325	6 Ton 5 Ft. Lift Chain	(1)			
						(For Catalog No. 9549)	
	196	12-40-0130	Nameplate	(1)			
	6	42-60-0330	6 Ton 20 Ft. Lift Chain	(1)			