



# SERVICE PARTS LIST

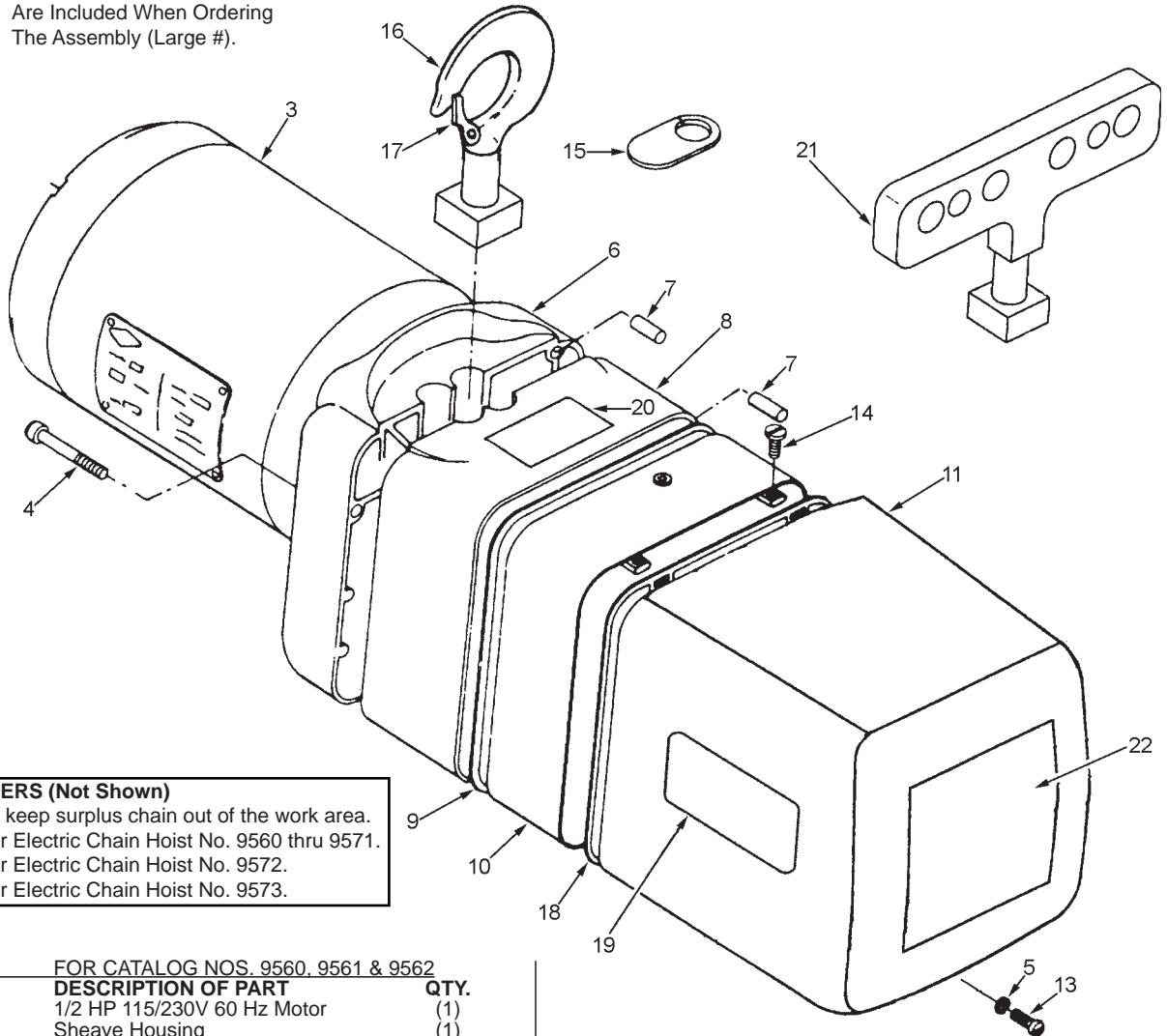
**BULLETIN NO.**  
54-02-1202

SPECIFY CATALOG NO. AND SERIAL NO. WHEN ORDERING PARTS		REVISED BULLETIN	DATE
<b>ELECTRIC CHAIN HOISTS</b>			Mar. 2008
<b>CAT. NOS.</b>	9560, 9561, 9562, 9565, 9566, 9567, 9568, 9570, 9571, 9572, 9573	<b>SERIAL PREFIX</b>	<b>JLC</b>
		<b>WIRING INSTRUCTION</b> <b>See back page</b>	

**EXAMPLE:**

00 0

Component Parts (Small #)  
Are Included When Ordering  
The Assembly (Large #).



**CHAIN CONTAINERS (Not Shown)**  
Recommended to keep surplus chain out of the work area.  
48-12-0111 For Electric Chain Hoist No. 9560 thru 9571.  
48-12-0112 For Electric Chain Hoist No. 9572.  
48-12-0113 For Electric Chain Hoist No. 9573.

FIG.	PART NO.	DESCRIPTION OF PART	QTY.
<b>FOR CATALOG NOS. 9560, 9561 &amp; 9562</b>			
3	23-30-0500	1/2 HP 115/230V 60 Hz Motor	(1)
6	43-76-0470	Sheave Housing	(1)
8	43-76-0480	Gear Housing	(1)
22	10-37-0040	Capacity Label	(1)
<b>FOR CATALOG NOS. 9565, 9567 &amp; 9568</b>			
3	23-30-0505	1 HP 115/230V 60 Hz Motor	(1)
6	43-76-0510	Sheave Housing	(1)
8	43-76-0490	Gear Housing	(1)
22	10-37-0050	Capacity Label	(1)
<b>FOR CATALOG NO. 9566</b>			
3	23-30-0510	1 HP 230/460V 3 Phase Motor	(1)
6	43-76-0510	Sheave Housing	(1)
8	43-76-0490	Gear Housing	(1)
22	10-37-0050	Capacity Label	(1)
<b>FOR CATALOG NOS. 9570, 9572 &amp; 9573</b>			
3	23-30-0505	1 HP 115/230V 60 Hz Motor	(1)
6	43-76-0510	Sheave Housing	(1)
8	43-76-0490	Gear Housing	(1)
22	10-37-0060	Capacity Label	(1)
<b>FOR CATALOG NO. 9571</b>			
3	23-30-0510	1 HP 230/460V 3 Phase Motor	(1)
6	43-76-0510	Sheave Housing	(1)
8	43-76-0490	Gear Housing	(1)
22	10-37-0060	Capacity Label	(1)

FIG.	PART NO.	DESCRIPTION OF PART	QTY.
4	06-95-5710	Washer Head Hex Screw	(4)
5	06-97-4000	1/4" Split Ring Lockwasher	(1)
7	06-65-3515	1/4" x 3/4" Dowel Pin	(2)
9	43-44-0820	Gear Case Gasket	(1)
10	42-92-0665	Gear Box Cover	(1)
11	22-68-0225	Cover - Electrical	(1)
13	06-81-0080	Cover Screw	(1)
14	06-95-0338	10-24 x 1/2" Pan Hd. Taptite	(2)
15	42-92-1340	Hook Hole Cover	(1)
16	14-36-0140	Hook Assembly w/Latch	(1)
17	14-47-0145	Latch Kit	(1)
18	43-44-0830	Cover Gasket	(1)
19	10-37-0070	Milwaukee Label	(2)
20	10-98-6590	Warning Label	(1)
21	43-92-5084	Lug Assembly (Includes #15)	(1)

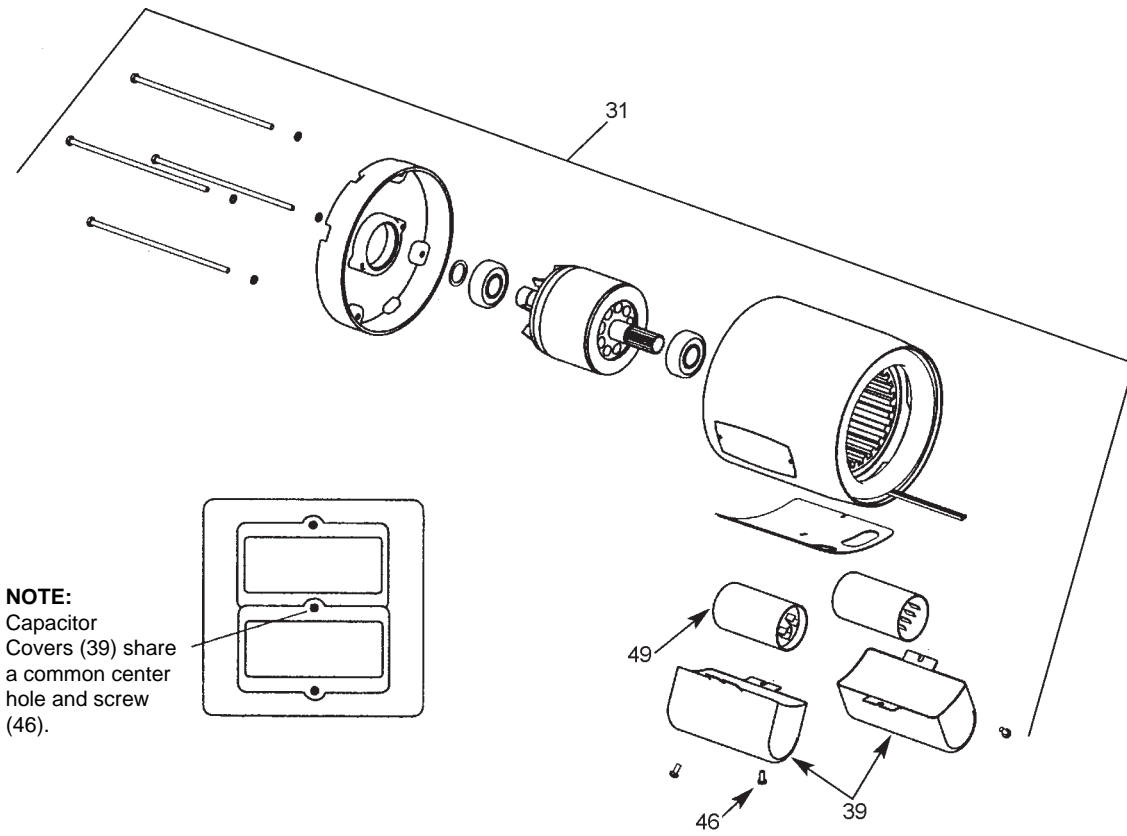


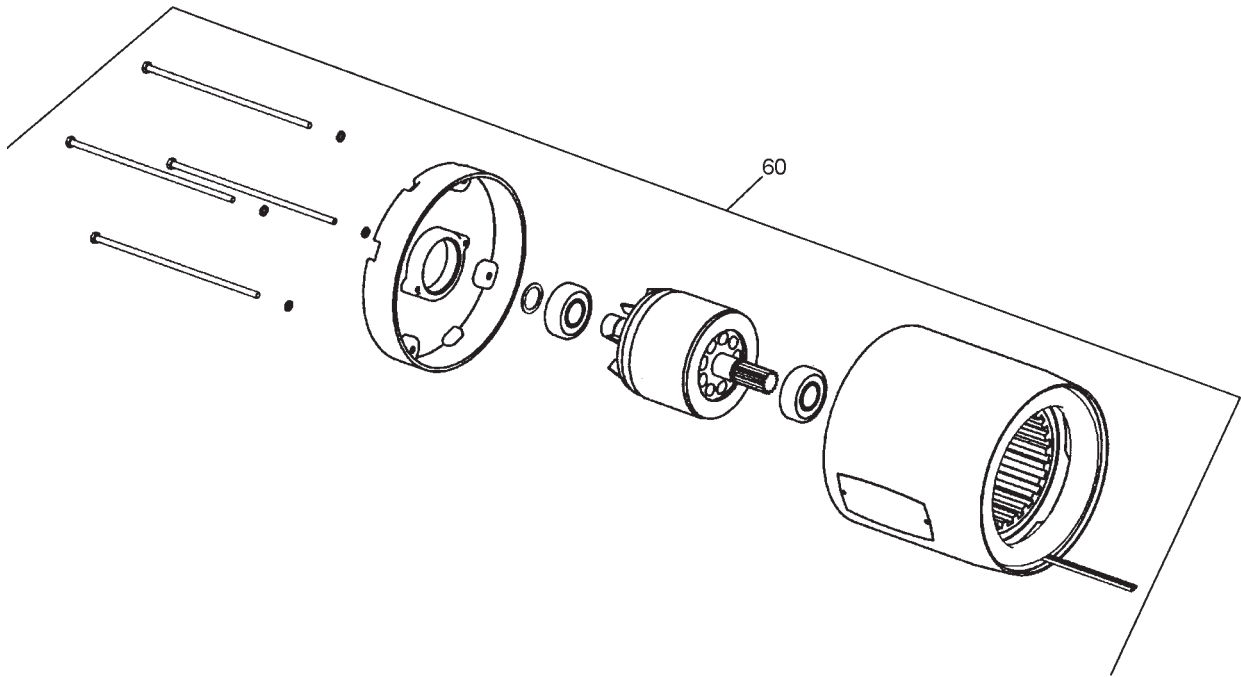
FIG.	PART NO.	DESCRIPTION OF PART	QTY.
49	23-66-2505	Sinpac Switch	(1)

FOR CATALOG NOS. 9560, 9561 & 9562

31	23-30-0500	1/2 HP 115/230V 60 Hz Motor	(1)
----	------------	-----------------------------	-----

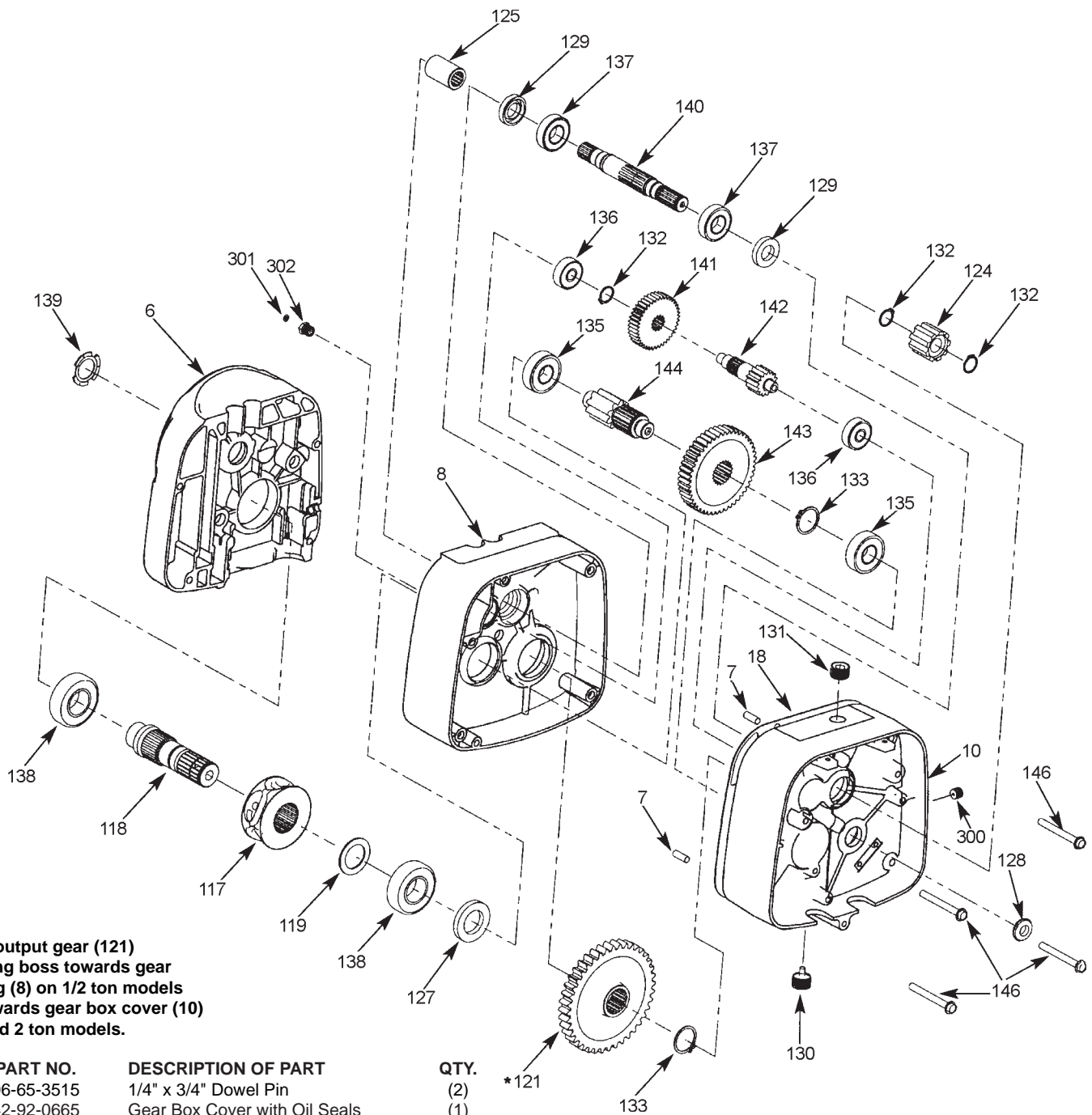
FOR CATALOG NOS. 9565, 9567, 9568, 9570, 9572 & 9573

_31	23-30-0505	1 HP 115/230V 60 Hz Motor	(1)
-----	------------	---------------------------	-----



FOR CATALOG NOS. 9566 & 9571

FIG.	PART NO.	DESCRIPTION OF PART	QTY.
_60	23-30-0510	1 HP 230/460V, 3 Phase Motor	(1)



**\* NOTE:**  
**Orient output gear (121)**  
**with long boss towards gear**  
**housing (8) on 1/2 ton models**  
**and towards gear box cover (10)**  
**on 1 and 2 ton models.**

FIG.	PART NO.	DESCRIPTION OF PART	QTY.
7	06-65-3515	1/4" x 3/4" Dowel Pin	(2)
10	42-92-0665	Gear Box Cover with Oil Seals	(1)
18	43-44-0830	Cover Gasket	(1)
118	36-50-0010	Load Shaft	(1)
124	42-04-3570	Adapter	(1)
125	42-90-0240	Motor Coupling	(1)
127	45-06-0400	Oil Seal	(1)
128	45-06-0410	Oil Seal	(1)
129	45-06-0420	Oil Seal	(2)
130	44-68-0530	Drain Plug 3/8" N.P.T.	(1)
131	44-68-0590	Oil Fill Plug	(1)
132	34-60-1400	Retaining Ring	(3)
133	34-60-2480	Retaining Ring	(2)
135	02-04-1765	Ball Bearing	(2)
136	02-04-1030	Ball Bearing	(2)
137	02-04-1705	Ball Bearing	(2)
138	02-04-2300	Ball Bearing	(2)
139	40-50-8100	Bearing Spring	(1)
140	32-60-2320	Input Pinion	(1)
141	32-60-2325	High Speed Gear	(1)
144	32-60-2340	Output Pinion	(1)
145	50-08-7642	24oz. Lubricant	(1)
146	06-95-5710	Hex Washer Head Screw	(4)
300	44-68-0600	Oil Level Check Plug	(1)
301	34-40-4560	O-Ring	(1)
302	43-33-0530	Pressure Relief Fitting	(1)

FOR CATALOG NOS. 9560, 9561 & 9562

FIG.	PART NO.	DESCRIPTION OF PART	QTY.
6	43-76-0470	Sheave Housing	(1)
8	43-76-0480	Gear Housing with Oil Seals	(1)
117	45-11-0110	Load Sheave	(1)
121	32-60-2310	Output Gear	(1)
142	32-60-2330	Intermediate Speed Pinion	(1)
143	14-08-0150	Overload Clutch Assembly	(1)

FOR CATALOG NOS. 9565, 9566, 9567, 9568,  
 9570, 9571, 9572 & 9573

FIG.	PART NO.	DESCRIPTION OF PART	QTY.
6	43-76-0510	Sheave Housing	(1)
8	43-76-0490	Gear Housing with Oil Seals	(1)
117	45-11-0120	Load Sheave	(1)
119	45-36-1340	Chain Spacer	(1)
121	32-60-2315	Output Gear	(1)
142	32-60-2335	Intermediate Speed Pinion	(1)
143	14-08-0160	Overload Clutch Assembly	(1)

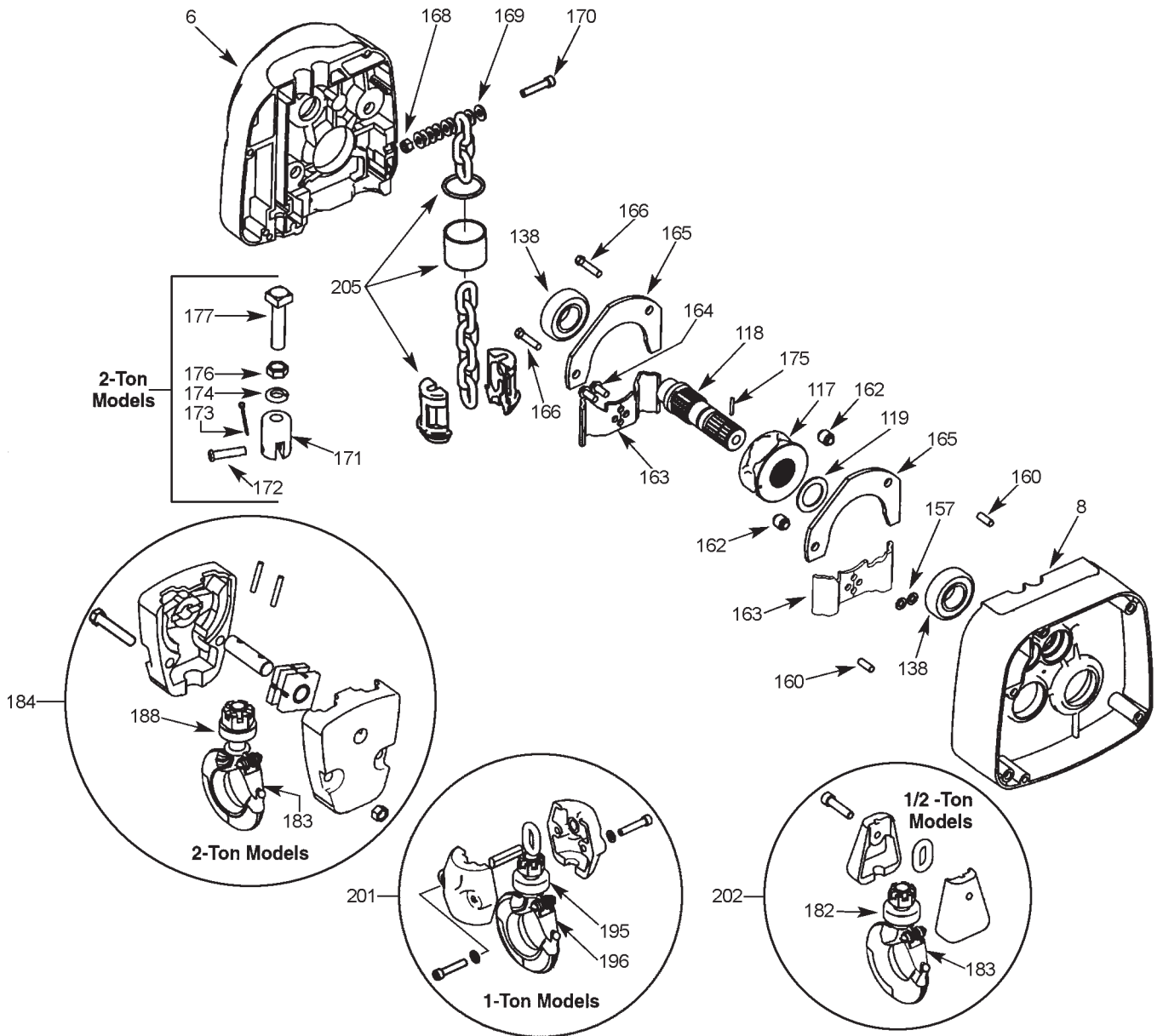


FIG.	PART NO.	DESCRIPTION OF PART	QTY.
118	36-50-0010	Load Shaft	(1)
138	02-04-2300	Ball Bearing	(2)
160	06-65-3515	Dowel Pin 1/4" x 3/4"	(4)
162	45-36-1350	Chain Guide Spacer	(2)
164	06-95-0095	1/2"-20 x 5/8" Hex Hd. Thd Form. Scrw.	(2)
166	06-95-5647	1/4"-20 x 1-1/8" Thread Forming Screw	(2)
168	06-57-6070	Dead End Nut	(1)
169	45-88-5220	1/4" Flat Washer	(8)
170	06-81-0090	Dead End Screw	(1)
171	45-60-0490	Chain Support	(1)
172	44-60-1030	Chain Support Pin	(1)
173	44-60-1040	Cotter Pin	(1)
174	06-97-4200	1/2" Split Ring Lockwasher	(1)
175	06-65-1535	Roll Pin 1/8" x 3/4"	(1)
176	06-57-7520	1/4"-20 Jam Nut	(1)
177	45-04-0780	Chain Support Screw	(1)

FOR CATALOG NOS. 9560, 9561 & 9562

FIG.	PART NO.	DESCRIPTION OF PART	QTY.
6	43-76-0470	Sheave Housing	(1)
8	43-76-0480	Gear Housing	(1)
117	45-11-0110	Load Sheave	(1)
118	06-97-2600	Washer	(2)
163	43-56-0440	Chain Guide	(2)
165	44-66-5655	Chain Guide Plate	(2)
182	14-36-0180	Bottom Hook w/Latch Assembly	(1)
183	14-47-0590	Latch Kit	(1)
202	14-47-0630	Load Block Kit	(1)
205	14-47-1245	End Stop Kit	(1)

FOR CATALOG NOS. 9565, 9566, 9567 & 9568

FIG.	PART NO.	DESCRIPTION OF PART	QTY.
643-76-0510	Sheave Housing	(1)	
8	43-76-0490	Gear Housing	(1)
117	45-11-0120	Load Sheave	(1)
119	45-36-1340	Chain Spacer	(1)
163	43-56-0450	Chain Guide	(2)
165	44-66-5656	Chain Guide Plate	(2)
195	14-36-0180	Hook & Latch Assembly	(1)
196	14-47-0590	Latch Kit	(1)
201	42-28-0290	Load Block Kit	(1)
205	14-47-1250	End Stop Kit	(1)

FOR CATALOG NOS. 9570, 9571, 9572 & 9573

FIG.	PART NO.	DESCRIPTION OF PART	QTY.
6	43-76-0510	Sheave Housing	(1)
8	43-76-0490	Gear Housing	(1)
117	45-11-0120	Load Sheave	(1)
119	45-36-1340	Chain Spacer	(1)
163	43-56-0450	Chain Guide	(2)
165	44-66-5656	Chain Guide Plate	(2)
183	14-47-0590	Latch Kit	(1)
184	14-47-0620	Load Block Kit	(1)
188	14-36-0170	Bottom Hook w/Latch Assembly	(1)
190	14-73-0220	Sheave Shaft Assembly	(1)
205	14-47-1250	End Stop Kit	(1)

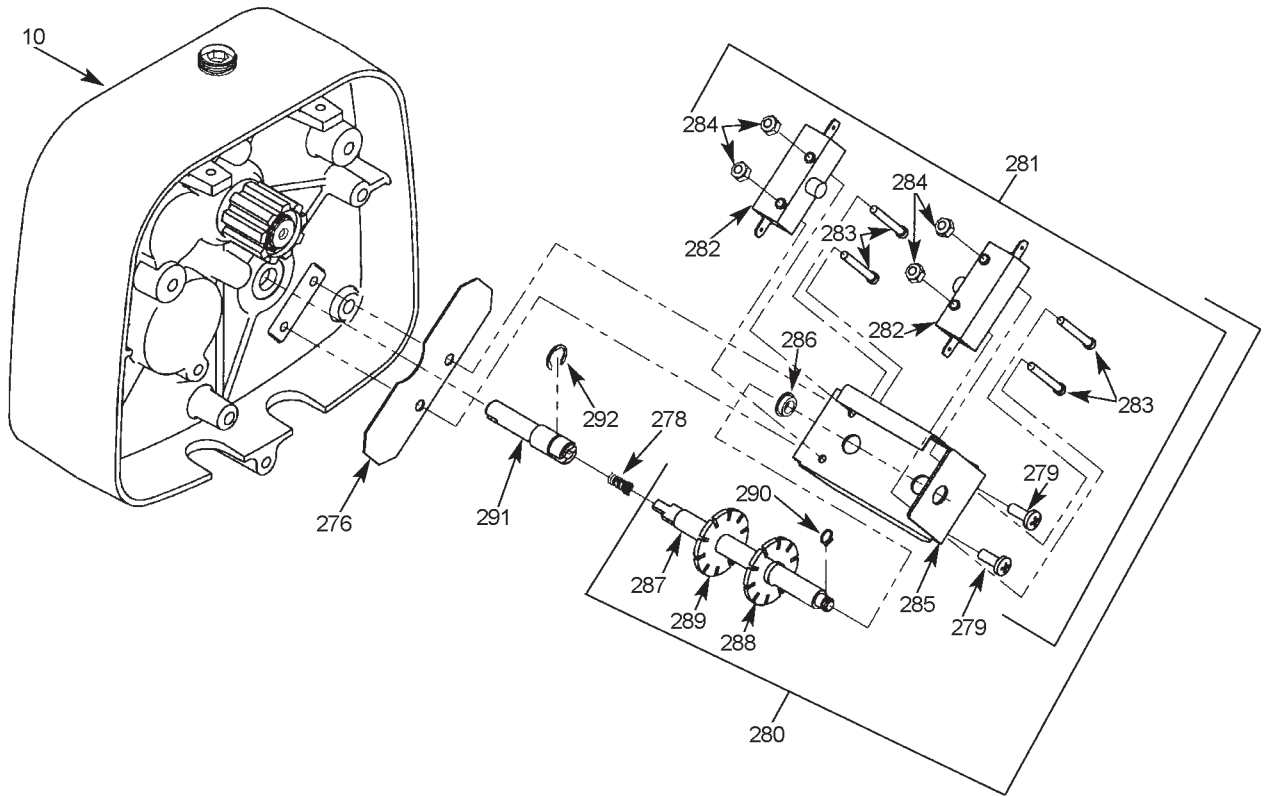


FIG.	PART NO.	DESCRIPTION OF PART	QTY.
10	42-92-0665	Gear Box Cover	(1)
274	36-50-0010	Load Shaft Assembly	(1)
276	43-86-0130	Insulator	(1)
278	40-50-8090	Spring	(1)
279	06-95-0338	10-24 x 1/2" Thrd. Form. Taptite Scrw.	(2)
280	14-73-0210	Limit Switch & Shaft (Incl. Fig. 281-290)	(1)
281	14-78-0340	Limit Switch Assy. (Incl. Fig. 282-286)	(1)
282	23-66-1550	Switch	(2)
283	06-81-0725	6-32 x 1" Fillister Head	(4)
284	06-57-6059	6-32 Lock Nut	(4)
285	23-66-1555	Limit Switch Bracket	(1)
286	42-40-0910	Bushing	(1)
287	45-08-0280	Limit Switch Shaft	(1)
288	44-40-0636	Limit Switch Nut - Gold	(1)
289	44-40-0641	Limit Switch Nut - Silver	(1)
290	34-60-0510	Retaining Ring	(1)
291	45-08-0290	Limit Switch Stud Shaft	(1)
292	34-60-2470	E-Ring	(1)

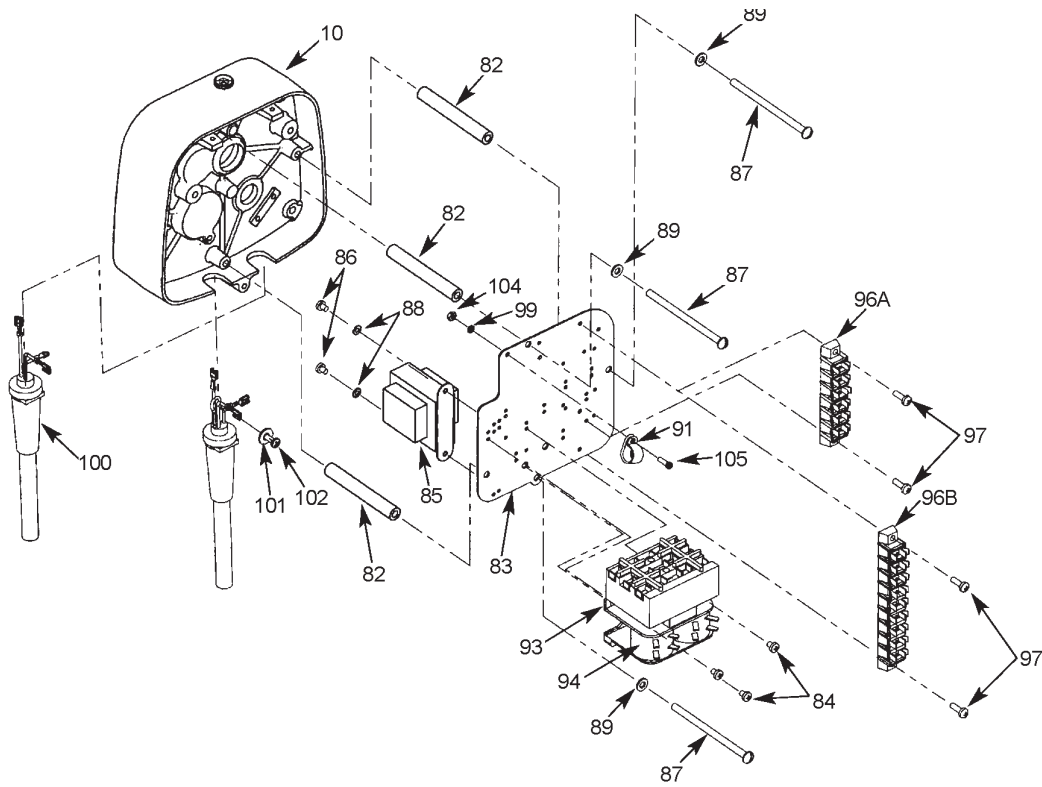


FIG.	PART NO.	DESCRIPTION OF PART	QTY.
10	42-92-0665	Gear Box Cover	(1)
82	45-36-1380	Panel Standoff Spacer	(3)
83	44-66-1010	Electrical Panel Plate	(1)
87	06-81-5015	1/4-20UNC x 4 Screw	(2)
91	22-90-0240	Grommet	(2)
101	45-88-5220	1/4" Flat Washer	(1)
102	06-95-0338	10-24 x 1/2" Pan Hd. Taptite screw	(1)

FOR CATALOG NOS. 9560, 9561, 9562

FIG.	PART NO.	DESCRIPTION OF PART	QTY.
85	23-81-0510	Transformer	(1)
93	22-56-0930	Terminal Block Kit	(1)
96	22-06-0050	Reversing Contactor Kit	(1)
100	22-64-1265	Cord Set	(1)

FOR CATALOG NOS. 9565, 9567, 9568, 9570, 9572 & 9573

FIG.	PART NO.	DESCRIPTION OF PART	QTY.
85	23-81-0510	Transformer	(1)
93	22-56-0930	Terminal Block Kit	(1)
96	22-06-0060	Reversing Contactor Kit	(1)
100	22-64-1270	Cord Set	(1)

FOR CATALOG NOS. 9566 & 9571

FIG.	PART NO.	DESCRIPTION OF PART	QTY.
85	23-81-0520	Transformer	(1)
93	22-56-0935	Terminal Block Kit	(1)
96	22-06-0070	Reversing Contactor Kit	(1)
100	22-64-1275	Cord Set	(1)

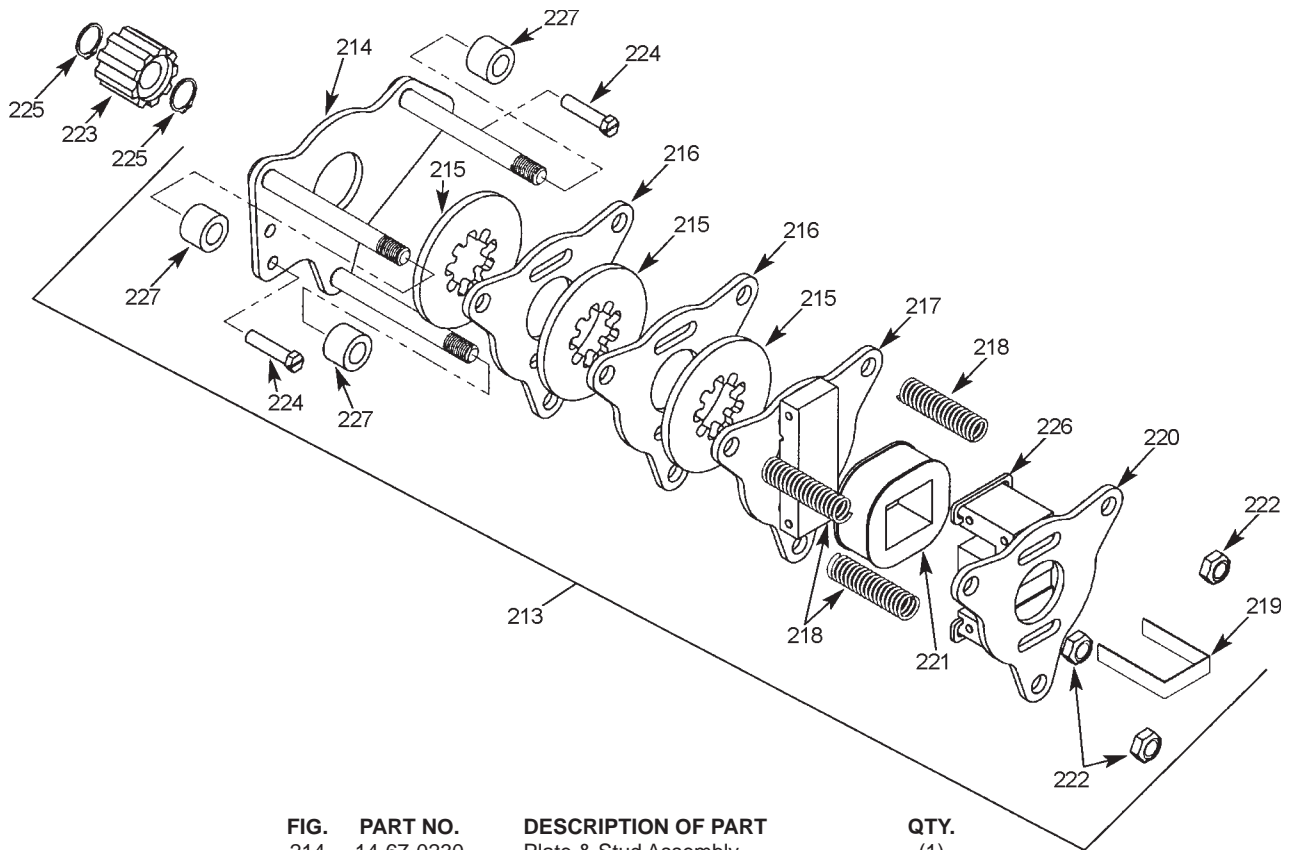


FIG.	PART NO.	DESCRIPTION OF PART	QTY.
214	14-67-0230	Plate & Stud Assembly	(1)
216	44-66-5660	Brake Plate	(2)
217	14-67-0240	Plate & Armature Assembly	(1)
218	40-50-8110	Spring	(3)
219	44-86-0500	Retainer	(1)
220	14-67-0250	Plate & Frame Assembly	(1)
222	06-57-3978	Lock Nut	(3)
223	42-04-3570	Adapter	(1)
224	06-95-0095	1/2"-20 x 5/8" Hex Hd. Thrd. Forming	(2)
225	34-60-1400	Retaining Ring	(2)
226	22-51-0230	Shading Coil	(2)
226A	42-56-7812	Adhesive (Not Shown)	(1)

FOR CATALOG NOS. 9560, 9561 & 9562

FIG.	PART NO.	DESCRIPTION OF PART	QTY.
213	14-04-0060	Disk Brake Assembly	(1)
215	43-06-0580	Brake & Disc	(2)
221	22-51-0240	Coil 115/230V 60 Hz	(1)
227	45-36-1360	Spacer	(3)

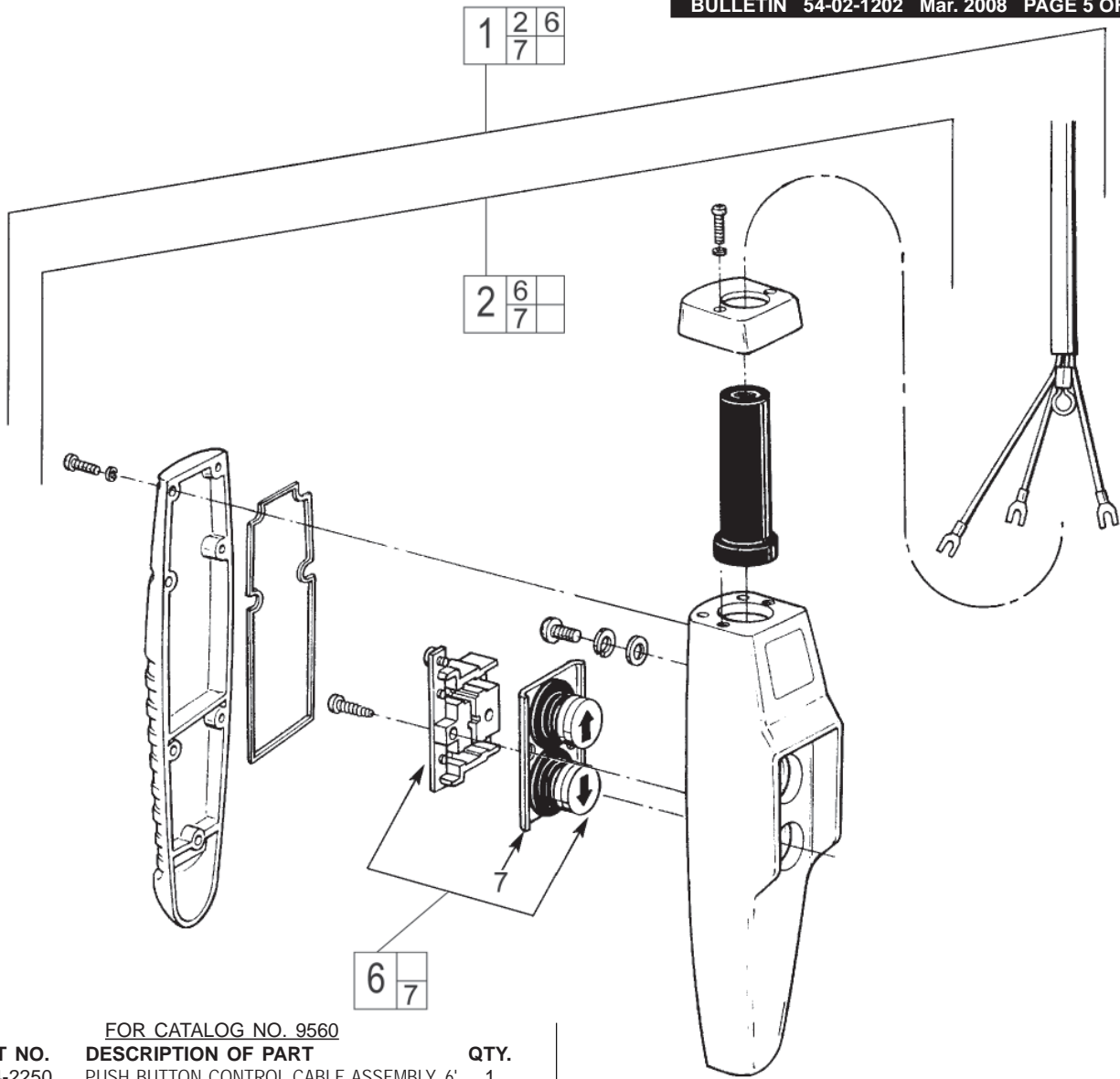
FOR CATALOG NOS. 9565, 9567, 9568, 9570, 9572 & 9573

FIG.	PART NO.	DESCRIPTION OF PART	QTY.
213	14-04-0070	Disc Brake Assembly	(1)
215	43-06-0580	Brake & Disc	(3)
221	22-51-0240	Coil 115/230V 60 Hz	(1)

FOR CATALOG NOS. 9566 & 9571

FIG.	PART NO.	DESCRIPTION OF PART	QTY.
213	14-04-0080	Disc Brake Assembly	(1)
215	43-06-0580	Brake & Disc	(3)
221	22-51-0250	Coil 230/460V 3 Phase 60 Hz	(1)





FOR CATALOG NO. 9560

FIG.	PART NO.	DESCRIPTION OF PART	QTY.
1	22-64-2250	PUSH BUTTON CONTROL CABLE ASSEMBLY, 6'	1
2	43-76-0700	PUSH BUTTON STATION ASSEMBLY	1
6	22-58-0260	CONTACT ASSEMBLY	1
7	42-42-0510	BUTTON ASSEMBLY	1

FOR CATALOG NO. 9561

FIG.	PART NO.	DESCRIPTION OF PART	QTY.
1	22-64-2250	PUSH BUTTON CONTROL CABLE ASSEMBLY, 11'	1
2	43-76-0700	PUSH BUTTON STATION ASSEMBLY	1
6	22-58-0260	CONTACT ASSEMBLY	1
7	42-42-0510	BUTTON ASSEMBLY	1

FOR CATALOG NOS. 9562

FIG.	PART NO.	DESCRIPTION OF PART	QTY.
1	22-64-2260	PUSH BUTTON CONTROL CABLE ASSEMBLY, 16'	1
2	43-76-0700	PUSH BUTTON STATION ASSEMBLY	1
6	22-58-0260	CONTACT ASSEMBLY	1
7	42-42-0510	BUTTON ASSEMBLY	1

FOR CATALOG NOS. 9565 & 9566

FIG.	PART NO.	DESCRIPTION OF PART	QTY.
1	22-64-2250	PUSH BUTTON CONTROL CABLE ASSEMBLY, 6'	1
2	43-76-0700	PUSH BUTTON STATION ASSEMBLY	1
6	22-58-0260	CONTACT ASSEMBLY	1
7	42-42-0510	BUTTON ASSEMBLY	1

FOR CATALOG NO. 9567

FIG.	PART NO.	DESCRIPTION OF PART	QTY.
1	22-64-2255	PUSH BUTTON CONTROL CABLE ASSEMBLY, 11'	1
2	43-76-0700	PUSH BUTTON STATION ASSEMBLY	1
6	22-58-0260	CONTACT ASSEMBLY	1
7	42-42-0510	BUTTON ASSEMBLY	1

FOR CATALOG NO. 9568

FIG.	PART NO.	DESCRIPTION OF PART	QTY.
1	22-64-2260	PUSH BUTTON CONTROL CABLE ASSEMBLY, 16'	1
2	43-76-0700	PUSH BUTTON STATION ASSEMBLY	1
6	22-58-0260	CONTACT ASSEMBLY	1
7	42-42-0510	BUTTON ASSEMBLY	1

FOR CATALOG NO. 9570 & 9571

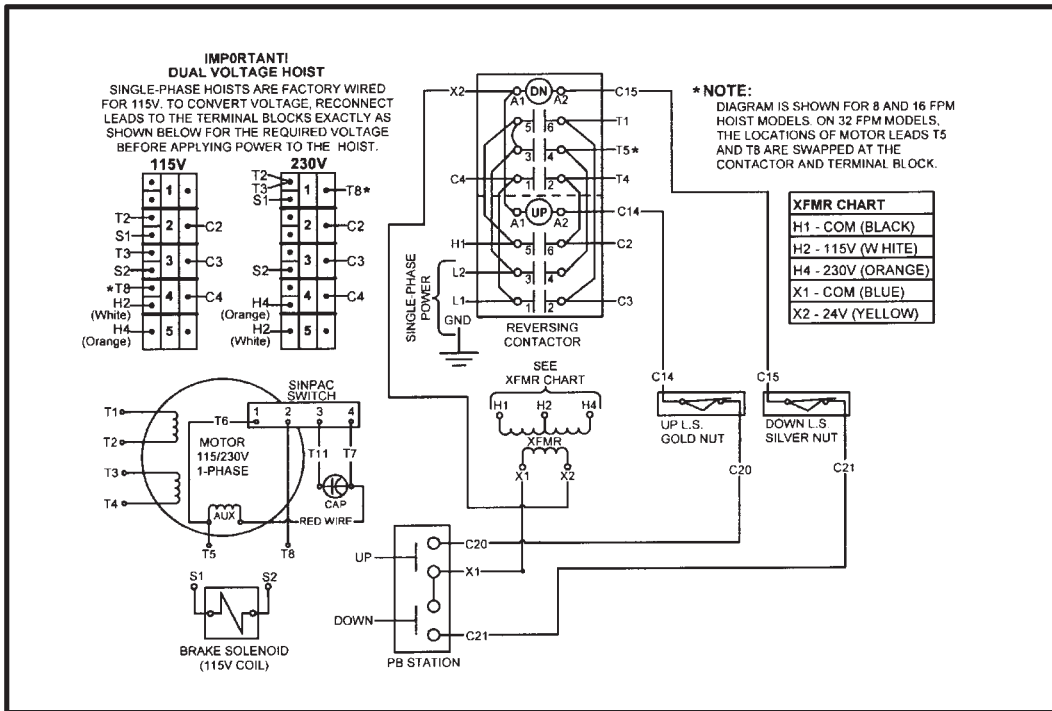
FIG.	PART NO.	DESCRIPTION OF PART	QTY.
1	22-64-2250	PUSH BUTTON CONTROL CABLE ASSEMBLY, 6'	1
2	43-76-0700	PUSH BUTTON STATION ASSEMBLY	1
6	22-58-0260	CONTACT ASSEMBLY	1
7	42-42-0510	BUTTON ASSEMBLY	1

FOR CATALOG NO. 9572

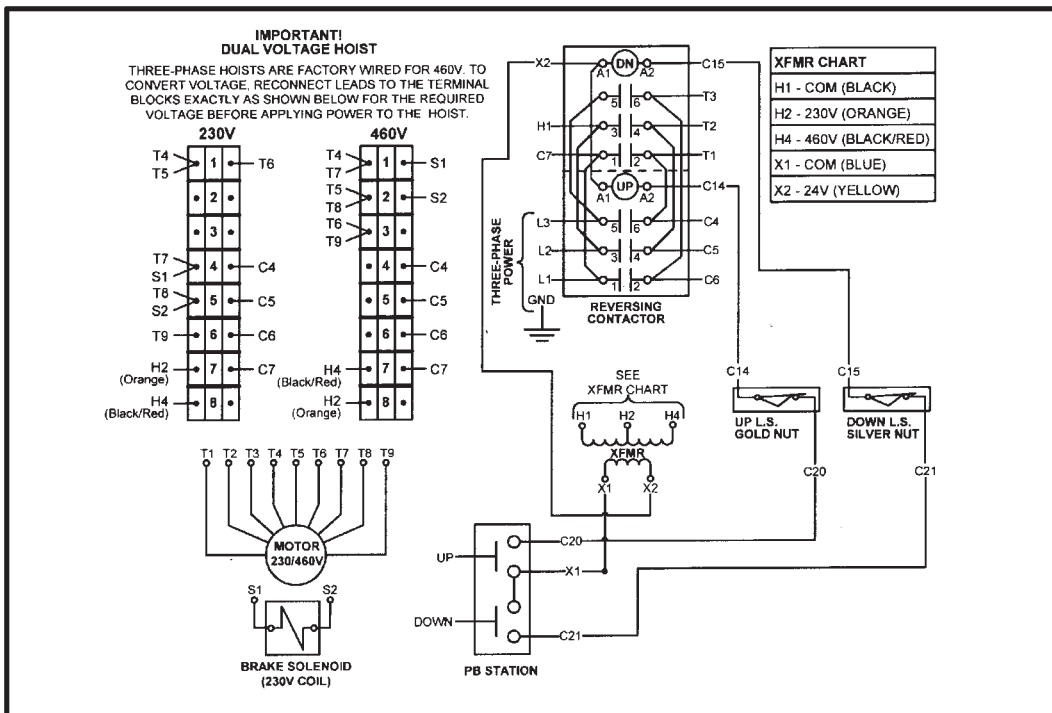
FIG.	PART NO.	DESCRIPTION OF PART	QTY.
1	22-64-2255	PUSH BUTTON CONTROL CABLE ASSEMBLY, 11'	1
2	43-76-0700	PUSH BUTTON STATION ASSEMBLY	1
6	22-58-0260	CONTACT ASSEMBLY	1
7	42-42-0510	BUTTON ASSEMBLY	1

FOR CATALOG NO. 9573

FIG.	PART NO.	DESCRIPTION OF PART	QTY.
1	22-64-2260	PUSH BUTTON CONTROL CABLE ASSEMBLY, 16'	1
2	43-76-0700	PUSH BUTTON STATION ASSEMBLY	1
6	22-58-0260	CONTACT ASSEMBLY	1
7	42-42-0510	BUTTON ASSEMBLY	1



**Wiring Diagram for 1-Speed, 1-Phase Models**



**Wiring Diagram for 1-Speed, 3-Phase Models**