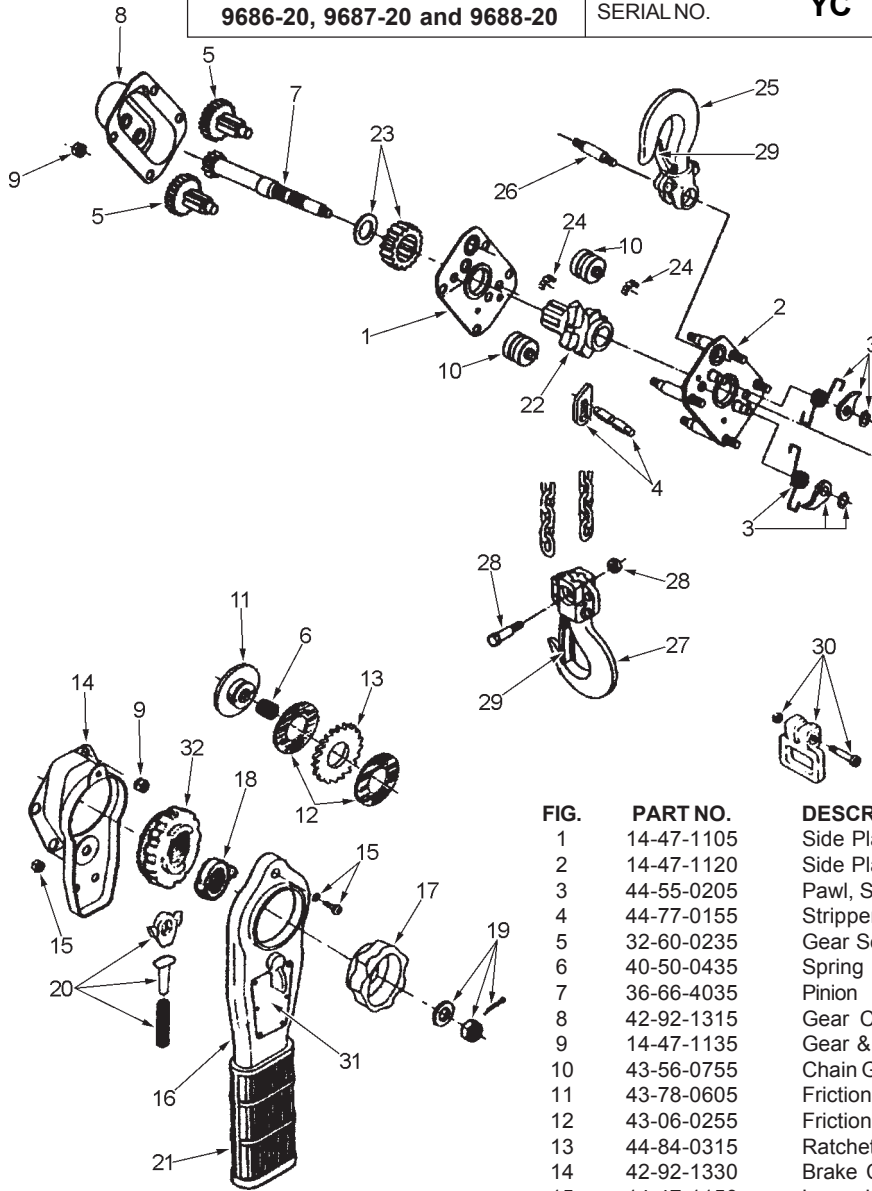




SERVICE PARTS LIST

BULLETIN NO.
54-02-0231

SPECIFY CATALOG NO. AND SERIAL NO. WHEN ORDERING PARTS		REVISED BULLETIN	DATE
1-1/2 TON LEVER HOISTS		54-02-0230	Sept. 2002
CATALOG NOS. 9685-20, 9686-20, 9687-20 and 9688-20	STARTING SERIAL NO. YC	WIRING INSTRUCTION	



00 0

EXAMPLE:
Component Parts
(Small #) Are Included
When Ordering The
Assembly (Large #).

FIG.	PART NO.	DESCRIPTION OF PART	QTY.
1	14-47-1105	Side Plate Assembly (gear side)	1
2	14-47-1120	Side Plate Assembly (brake side)	1
3	44-55-0205	Pawl, Spring & Retainer Ring	2
4	44-77-0155	Stripper	1
5	32-60-0235	Gear Set	1
6	40-50-0435	Spring	1
7	36-66-4035	Pinion	1
8	42-92-1315	Gear Cover w/Bushings	1
9	14-47-1135	Gear & Brake Cover Hardware Kit	1
10	43-56-0755	Chain Guide Roller	2
11	43-78-0605	Friction Hub	1
12	43-06-0255	Friction Disc	2
13	44-84-0315	Ratchet	1
14	42-92-1330	Brake Cover Assembly	1
15	14-47-1150	Lever Hardware Kit	1
16	44-10-0445	Lever Assembly	1
17	43-98-0740	Free Chaining Knob	1
18	45-88-1645	Check Washer	1
19	14-47-1165	Brake Nut Kit	1
20	14-47-1180	Directional Pawl Kit	1
21	43-62-1305	Lever Grip	1
22	14-47-1190	Liftwheel	1
23	14-47-1205	Liftwheel Gear Kit	1
24	14-47-1220	Liftwheel Roller Kit	1
25	14-36-0315	Upper Hook Assembly	1
26	44-60-1735	Upper Hook Pin	1
27	14-36-0330	Lower Hook Assembly	1
28	14-03-0170	Chain Bolt Kit	1
29	14-47-1235	Latch Kit	2
30	14-03-0185	Chain Stop Kit	1
31	12-20-1455	Nameplate Kit	1
32	43-78-0620	Lever Ratchet	1
	12-20-1470	Warning Label & Free Chain Tag Kit (Not Shown)	1