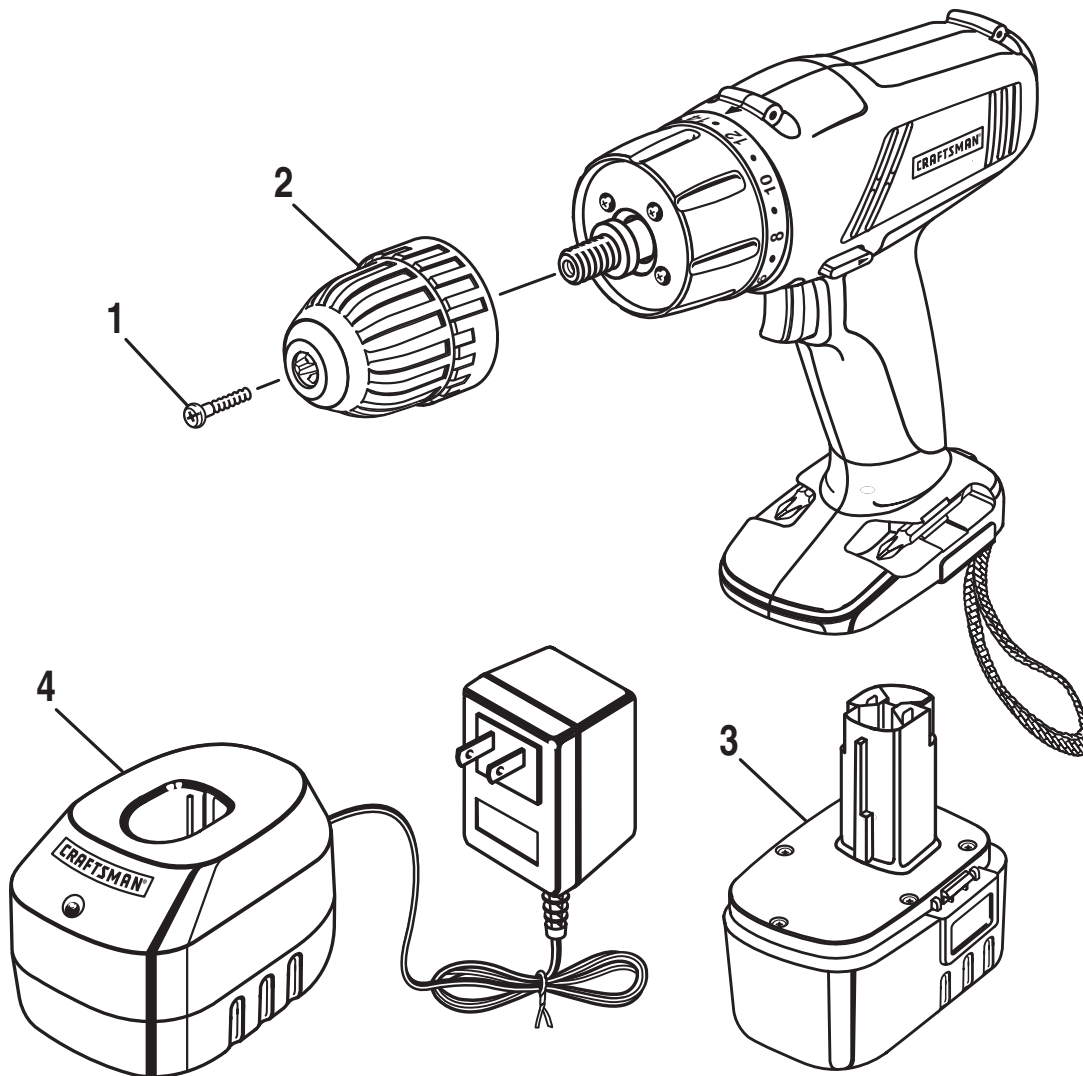


**CRAFTSMAN 3/8 in. 14.4 VOLT CORDLESS DRILL-DRIVER  
MODEL NUMBER 973.114130**

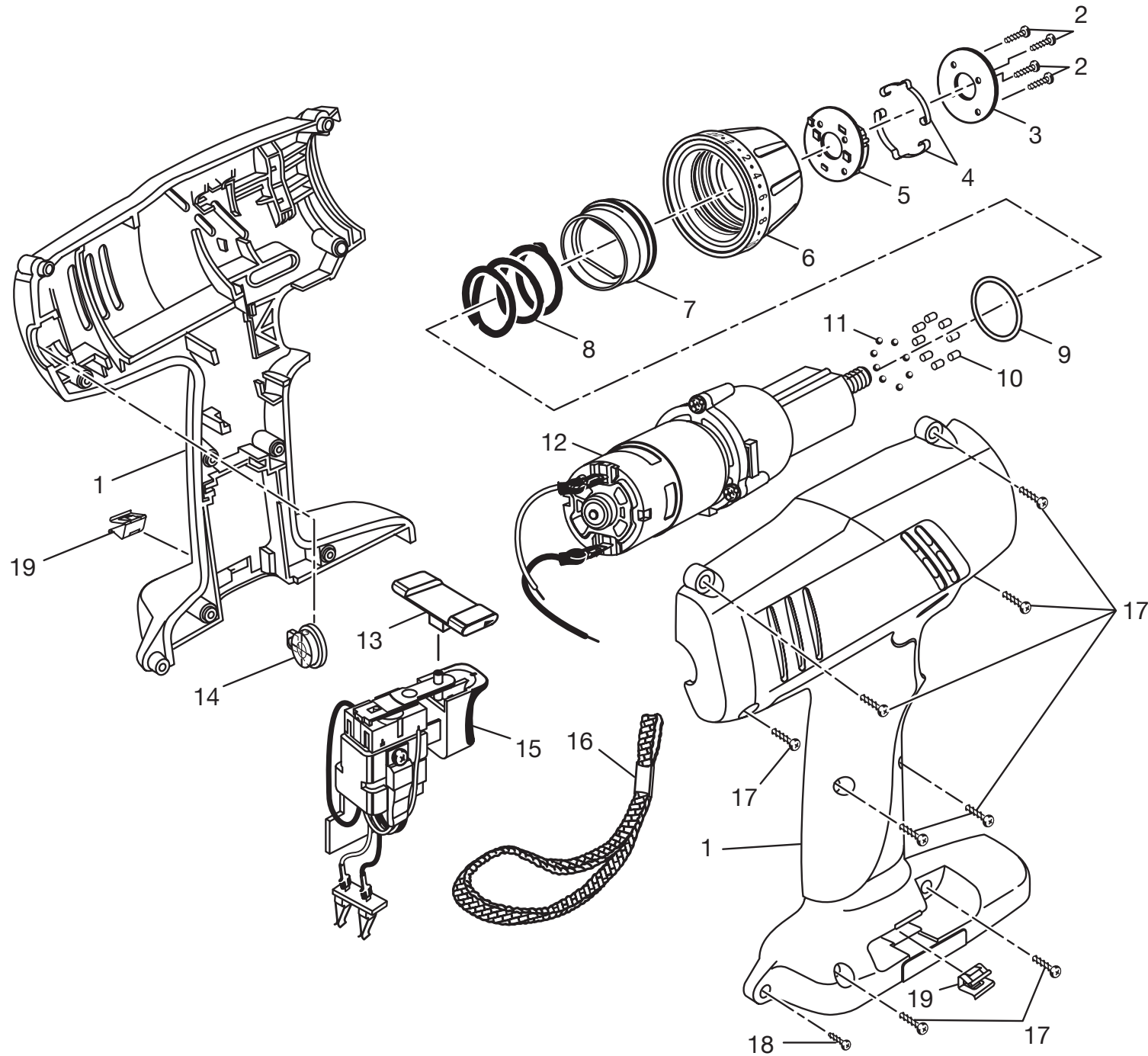
The model number will be found on a label attached to the motor housing. Always mention the model number in all correspondence regarding your **3/8 in. CORDLESS DRILL-DRIVER** or when ordering repair parts.



**PARTS LIST**

<b>KEY NO.</b>	<b>PART NUMBER</b>	<b>DESCRIPTION</b>	<b>QTY.</b>
1	616478003	SCREW ( SPECIAL) .....	1
2	6903326	CHUCK ( ITEM NO. <u>9</u> 20988) .....	1
3	1323407	BATTERY PACK ( ITEM NO, <u>9</u> 11007) .....	1
4	1425005	CHARGER ( ITEM NO, <u>9</u> 11006).....	1
5	900211029	NYLON BAG - NOT SHOWN.....	1

CRAFTSMAN 3/8 in. 14.4 VOLT CORDLESS DRILL- DRIVER MODEL NO. 973.114130



**CRAFTSMAN 3/8 in. 14.4 VOLT CORDLESS DRILL- DRIVER MODEL NO. 973.114130**

The model number will be found on a label attached to the motor housing. Always mention the model number in all correspondence regarding your **3/8 in. CORDLESS DRILL-DRIVER** or when ordering repair parts.

**PARTS LIST**

<b>KEY NO.</b>	<b>PART NUMBER</b>	<b>DESCRIPTION</b>	<b>QTY.</b>
1	983808001	HOUSING ASSEMBLY .....	1
2	6620501	SCREW (M3 x 20 mm).....	4
3	6375301	CLUTCH RETAINER .....	1
4	6392201	DETENT RING .....	2
5	5434609	SPRING HOLDER.....	1
6	984699001	CLUTCH CAP ASSEMBLY .....	1
7	5501403	SLEEVE.....	1
8	6872401	SPRING .....	1
9	6710501	CLUTCH WASHER .....	1
10	6843505	PIN.....	8
11	6722001	BALL BEARING .....	8
12	983809001	MOTOR AND GEAR TRAIN ASSEMBLY .....	1
13	3801303	FOWARD/REVERSE SELECTOR .....	1
14	3048003	REAR LEVEL.....	1
15	2701252	SWITCH ASSEMBLY .....	1
16	9002720	WRIST STRAP .....	1
17	6620805	SCREW (M4 x 16 mm).....	8
18	660206042	SCREW (M3.5 x 16 mm).....	1
19	6320601	BIT CLIP .....	2
	983000050	OPERATOR'S MANUAL	
	11-15-10		
	(REV:02)		