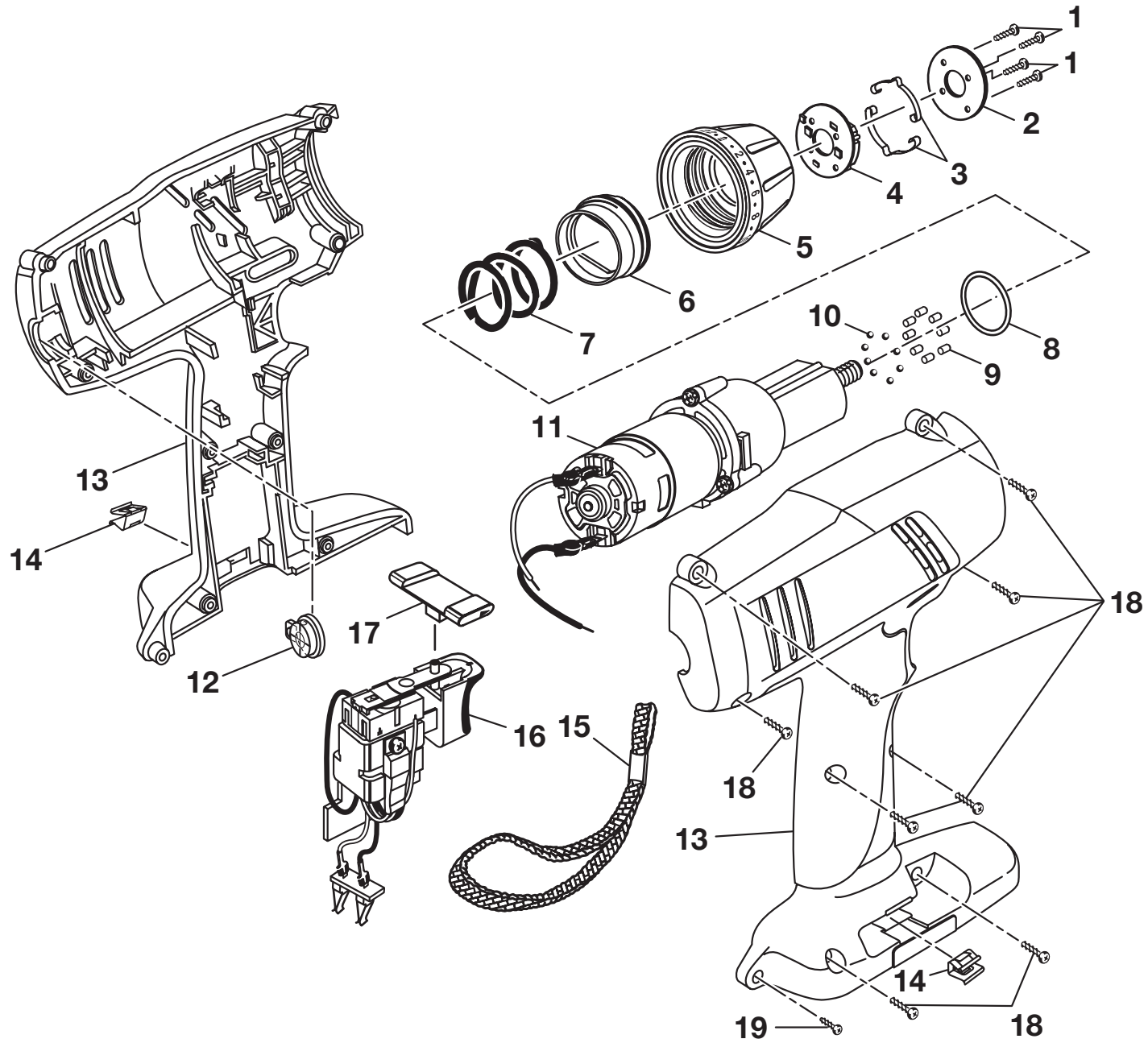


CRAFTSMAN 10 mm (3/8 in.), 14.4 VOLT CORDLESS DRILL-DRIVER – MODEL NUMBER 973.225370



CRAFTSMAN 10 mm (3/8 in.), 14.4 VOLT CORDLESS DRILL-DRIVER – MODEL NUMBER 973.225370

The model number will be found on a label attached to the motor housing. Always mention the model number in all correspondence regarding your **10 mm (3/8 in.) CORDLESS DRILL-DRIVER** or when ordering repair parts.

PARTS LIST

KEY NO.	PART NUMBER	DESCRIPTION	QTY.
1	6620501	SCREW.....	4
2	6375301	CLUTCH RETAINER	1
3	6399201	SPRING PLATE.....	2
4	5434606	SPRING HOLDER.....	1
5	3801104	CLUTCH CAP	1
6	5501403	SLEEVE.....	1
7	6872401	SPRING	1
8	6710501	CLUTCH WASHER	1
9	6843505	PIN.....	8
10	6722001	BALL.....	8
11	983290001	MOTOR AND GEAR TRAIN ASSEMBLY	1
12	3048003	REAR LEVEL ASSEMBLY	1
13	983291001	HOUSING ASSEMBLY	1
14	6320601	BIT CLIP	2
15	9002720	WRIST STRAP	1
16	2701238	SWITCH ASSEMBLY	1
17	3801303	FORWARD-REVERSE SELECTOR.....	1
18	6620805	SCREW (M4 X 16 mm)	8
19	660206042	SCREW (M3.5 X 16 mm)	1
	972000964	OPERATOR'S MANUAL	
	2-01-10		
	(REV:01)		