

Type: GRIT GIR
Part no.: 99001007000

Item	Part no.	Designation	Quantity
10	39000000151	Screw	4
30	39000005955	Nut	8
40	39000000193	Screw	8
45	39000005117	Wheel	1
70	39000000285	Stop	1
80	39000000428	Handle M10X20	2
100	39000000264	Cover	1
110	39000000258	Disc	1
130	39000000429	Screw	4
145	39000006106	Sign	1
150	39000000485	Dust container	
	↓ 39000000385	Container	1
160	39000000047	Nut	2
170	39000000087	Locking bar	1
180	39000000089	Cup spring 8,2x0,9 mm	2
190	39000000286	Cover	1
200	39000000090	Disc	1
210	39000000111	Screw	1
215	39000000297	Sliding block	2
220	39000000244	Shaft	2
230	39000000281	Plate	2
240	39000000361	Housing	1
245	39000006100	Sign	1
250	39000004525	Cover	1

Type: GRIT GIR
Part no.: 99001007000

Item	Part no.	Designation	Quantity
260	39000003164	Lever	1
270	39000000061	Nut	1
280	39000000296	Sliding block	1
285	39000000271	Tensioning arm	1
290	39000000090	Disc	1
295	39000001086	Screw	2
300	39000000180	Fitting	1
310	39000000303	Cover	1
325	39000000166	Nut	2
340	39000000191	Screw	2
350	39000000371	Holder	1
360	39000000088	Disc	2
370	39000000369	Collated strip magazine	1
380	39000000376	Holder	1
390	39000000295	Bush	1
400	39000000246	Handle	1
440	39000004269	Disc	3
450	39000000083	Screw	1
460	39000000260	Thread insert	1
480	39000000425	Screw	1
490	39000000099	Screw	4
510	39000001192	Disc D12XD18X0,2	1
520	39000000304	Spacer 99001007000	1
530	39000000300	Spacer 99001007000	1

Type: GRIT GIR
Part no.: 99001007000

Item	Part no.	Designation	Quantity
540	39000000629	Screw	2
545	39000001533	Screw	2
550	39000001190	Screw	1
555	39000001085	Handle M12X30	1
560	39000000279	Spacer sleeve	1
570	39000003213	Plate	1
600	39000000318	Thread insert	2
620	39000000434	Screw	4
630	39000000070	Cup spring D34/16,3x1,5 mm	1
640	39000005624	Eye guard	1
650	39000003251	Disc	1
700	39000000243	Shaft D20 H6x421 mm	2
710	39000000278	Block	2
715	39000000462	Ring VE 4	8
716	39000000461	Bush VE 4	1
720	39000000460	Screw	4
730	39000000427	Set screw	4
750	39000000463	Plate	1
760	39000000464	Screw	2
770	39000000465	Nut	1
790	39000000249	Ring	4
810	39000000248	Bush	4
815	39000000362	Carriage	1
820	39000000458	Thread spindle TR10X3X500	1

Type: GRIT GIR
Part no.: 99001007000

Item	Part no.	Designation	Quantity
830	39000000459	Nut	2
840	39000000427	Set screw	1
845	39000006372	Crank	3
860	39000000435	Disc	3
870	39000000463	Plate	1
880	39000001191	Bush	1
900	39000000454	Handle M12	4
910	39000000455	Disc	4
960	39000005415	Adjustable foot	4
970	39000000715	Nut	8
980	39000000442	Screw	2
990	39000000443	Screw	2
1000	39000000164	Screw	2
1010	39000000299	Plate	1
1020	39000000251	Disc	1
1030	39000000444	Screw M6X30	1
1040	39000000368 ↓ 39000006427	Holder Holder	1
1050	39000000359 ↓ 39000006427	Holder Holder	1
1060	39000000097	Handle	1
1070	39000000445 ↓ 43045028046	Set screw Set screw	1
1080	39000000705	Screw	2

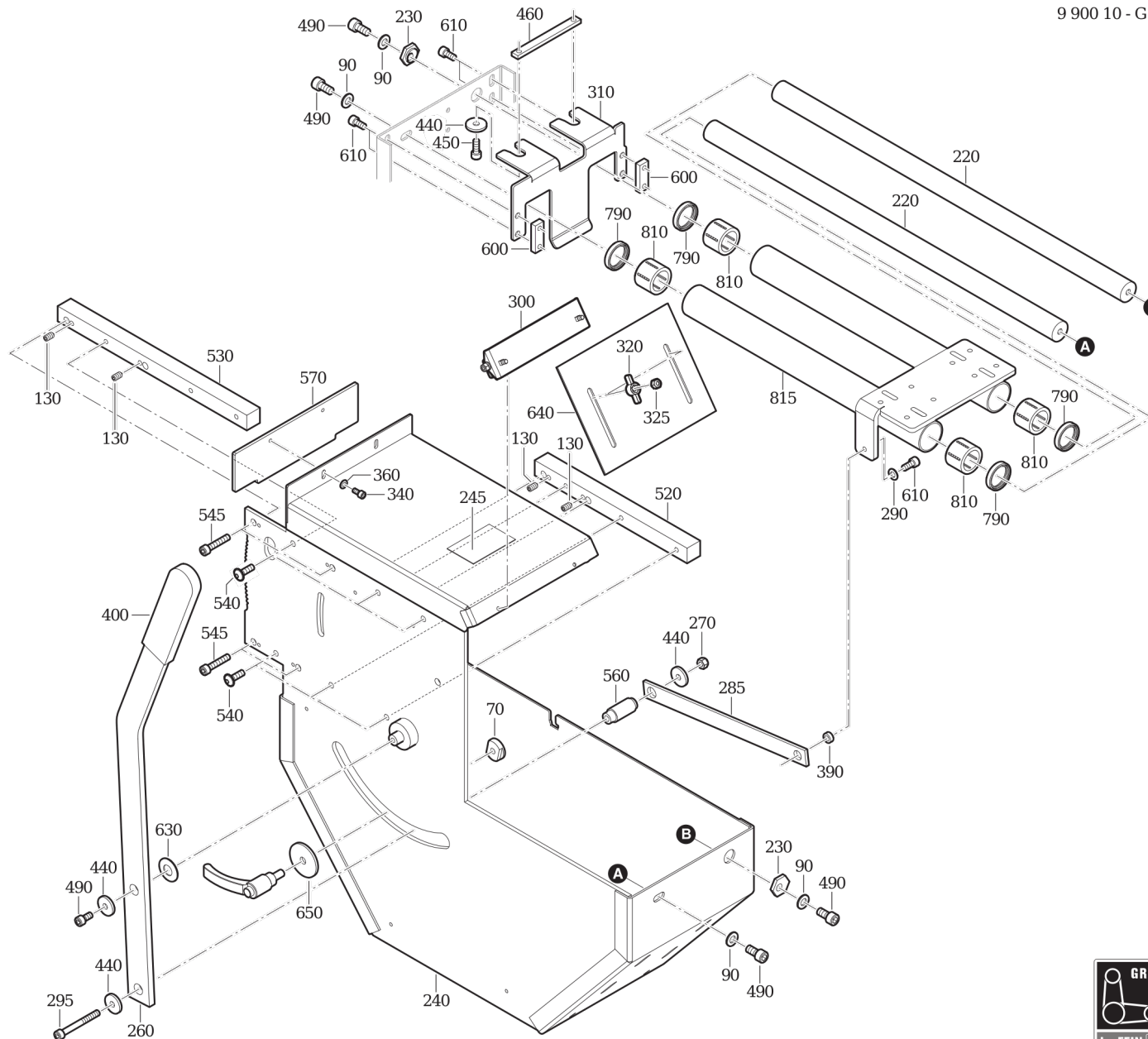
Type: GRIT GIR
Part no.: 99001007000

Item	Part no.	Designation	Quantity
1130	39000004517	Sheet metal GURM	1
1140	39000006315	Screw	1
1150	39000006316	Thread spindle GIR	1
1160	39000000459	Nut	2
1170	39000006318	Shaft GIR	1
1180	39000000241	Screw	4
1190	39000005955	Nut	8
1200	39000000723	Screw	4
1220	39000000427	Set screw	1
1230	39000000435	Disc	7
1250	39000004518	Shaft	1
1260	39000000448	Bush	2
1270	39000004521	Hinge	1
1280	39000004520	Clamping jaw	1
1310	39000000083	Screw	6
1315	39000000434	Screw	2
1320	39000000275	Clamping unit	1
1350	39000004519	Vice	1

Type:
Part no.:

GRIT GIR
99001007000

9 900 10 - GIR



Type:
Part no.:

GRIT GIR
99001007000

9 900 10 - GIR

