

Type: GRIT GIR
Part no.: 99001007090

Item	Part no.	Designation	Quantity
10	39000000048	Screw	8
20	39000000291	Spacer	4
30	39000005955	Nut	14
35	39000000044	Nut	4
40	39000000193	Screw	8
45	39000006353	Wheel	4
50	39000006420	Clamp	1
70	39000000285	Stop	1
80	39000000428	Handle M10X20	4
90	39000000199	Disc	5
100	39000006440	Sign	1
110	39000006414	Thread insert	1
120	39000006407	Clamp	1
130	39000006405	Vice	1
135	39000006467	Set screw	2
140	39000006413	Holder	1
145	39000006106	Sign	2
150	39000006403	Disc	1
155	39000000385	Container	1
160	39000000047	Nut	4
170	39000000087	Locking bar	1
180	39000000148	Disc	1
185	39000006362	Disc	1
190	39000006416	Cover	1

Type: GRIT GIR
Part no.: 99001007090

Item	Part no.	Designation	Quantity
200	39000000090	Disc	2
210	39000000111	Screw	1
215	39000000297	Sliding block	1
220	39000000244	Shaft	2
230	39000000281	Plate	2
240	39000006400	Housing	1
245	39000006100	Sign	1
250	39000006412	Housing	1
260	39000006406	Handle	1
270	39000000061	Nut	1
280	39000000296	Sliding block	1
285	39000006423	Tensioning arm	1
290	39000001086	Screw	1
300	39000006495	Screw	4
310	39000005678	Screw	2
315	39000000062	Nut	1
320	39000005826	Handle	2
325	39000000529	Screw	2
340	39000000191	Screw	2
350	39000006417	Plate	1
360	39000000088	Disc	2
370	39000006425	Base frame	2
390	39000000295	Bush	1
410	39000000363	Carriage	1

Type: GRIT GIR
Part no.: 99001007090

Item	Part no.	Designation	Quantity
420	39000000254	Scale	1
430	39000006424	Scale	1
440	39000004269	Disc	3
480	39000000425	Screw	2
490	39000000099	Screw	4
500	39000000163	Disc D12	1
540	39000006421	Spacer	1
545	39000006411	Spacer	1
550	39000001190	Screw	4
555	39000001085	Handle M12X30	1
560	39000000279	Spacer sleeve	1
570	39000003213	Plate	1
580	39000006427	Holder	1
610	39000000165	Screw	6
620	39000001533	Screw	4
630	39000000070	Cup spring D34/16,3x1,5 mm	1
640	39000005624	Eye guard	1
650	39000003251	Disc	1
655	39000000040	Flat headed screw	4
660	39000006415	Bush	2
670	39000000191	Screw	2
680	39000006410	Bush	4
700	39000000243	Shaft D20 H6x421 mm	2
710	39000006422	Sliding block	2

Type: GRIT GIR
Part no.: 99001007090

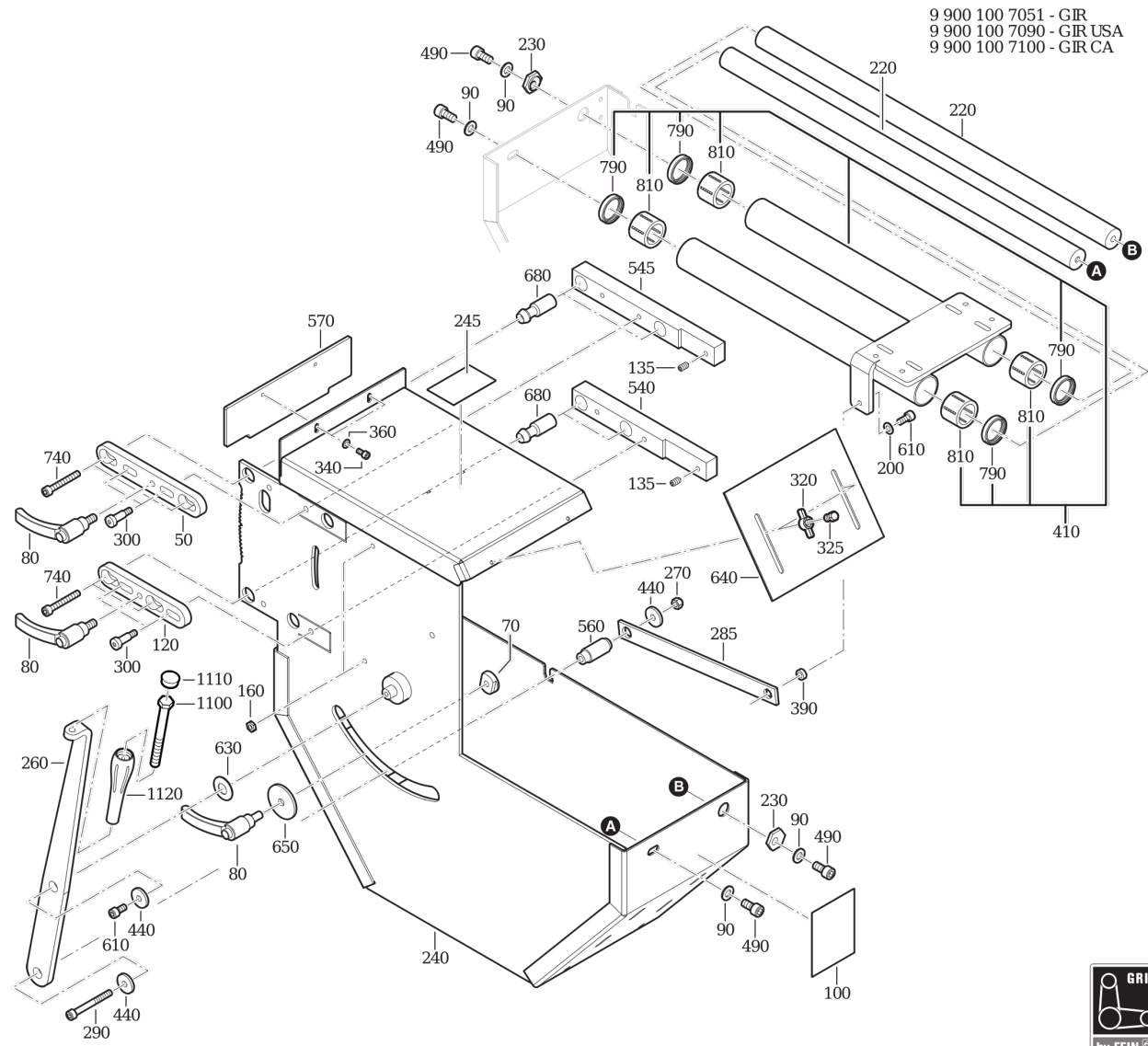
Item	Part no.	Designation	Quantity
715	39000000462	Ring VE 4	8
716	39000000461	Bush VE 4	4
720	39000000460	Screw	4
730	39000000427	Set screw	4
740	39000001446	Screw	4
760	39000000464	Screw	2
770	39000000465	Nut	1
790	39000000249	Ring	4
800	39000000071	Circlip	1
810	39000000248	Bush	4
820	39000000458	Thread spindle TR10X3X500	1
830	39000000459	Nut	2
845	39000006372	Crank	1
870	39000000463	Plate	2
880	39000001191	Bush	1
960	39000005415	Adjustable foot	4
970	39000000715	Nut	12
1020	39000000449	Screw	4
1030	39000000441	Screw	4
1040	39000006401	Holder	1
1050	39000006404	Holder	1
1060	39000000097	Handle	1
1080	39000000705	Screw	2
1090	39000000195	Nut	1

Type: GRIT GIR
Part no.: 99001007090

Item	Part no.	Designation	Quantity
1100	39000006323	Screw	2
1110	41115012001	Plug	1
1120	32119114005	Handle	1
1130	39000004517	Sheet metal GURM	1
1140	39000006315	Screw	2
1150	39000006316	Thread spindle GIR	1
1160	39000000459	Nut	2
1170	39000006318	Shaft GIR	1
1180	39000000241	Screw	2
1200	39000000723	Screw	4
1220	39000000427	Set screw	1
1230	39000000435	Disc	7
1240	39000001791	Plate	1
1250	39000004518	Shaft	4
1260	39000000448	Bush	8
1270	39000006419	Bracket	1
1280	39000006402	Vice	1
1290	39000001792	Clamping jaw	1
1300	39000001793	Plate	1
1310	39000000083	Screw	8
1315	39000000434	Screw	2
1320	39000000275	Clamping unit	1
1350	39000004519	Vice	1

Type:
Part no.:

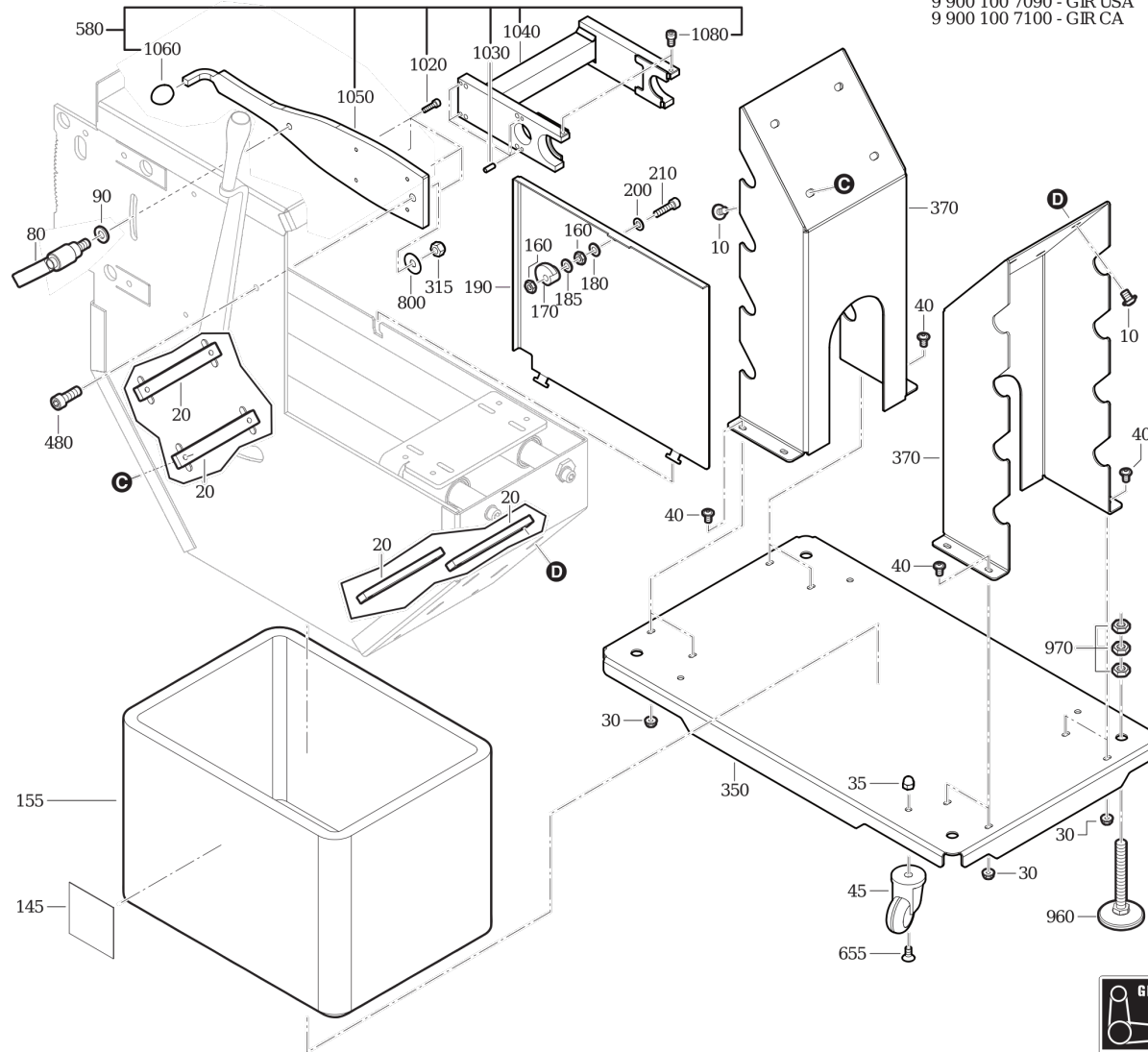
GRIT GIR
99001007090



Type:
Part no.:

GRIT GIR
99001007090

9 900 100 7051 - GIR
9 900 100 7090 - GIR USA
9 900 100 7100 - GIR CA



Type:
Part no.:

GRIT GIR
99001007090

9 900 100 7051 - GIR
9 900 100 7090 - GIR USA
9 900 100 7100 - GIR CA

