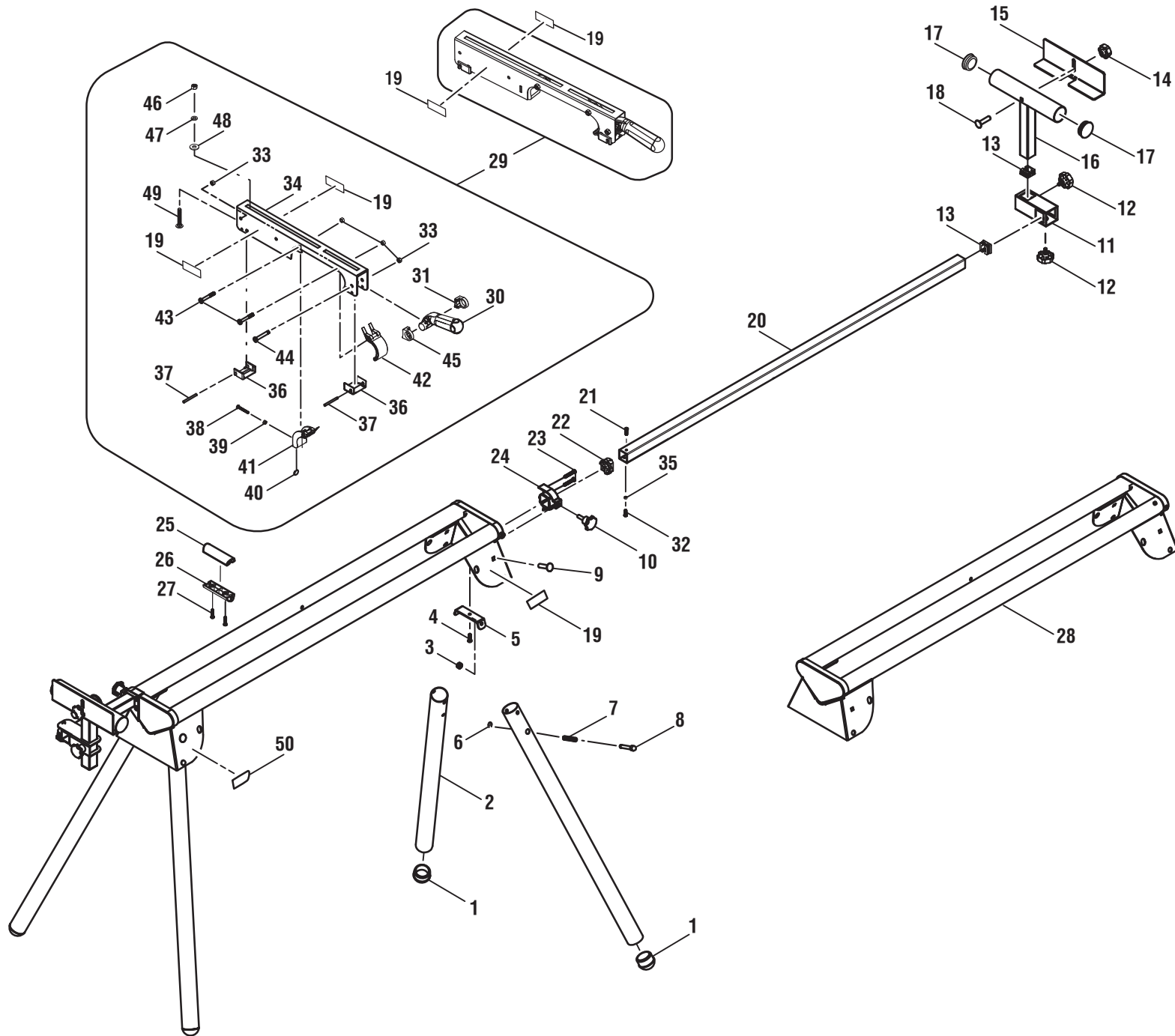


**RYOBI  
MITER STAND  
MODEL NO. A18MS01G  
REPAIR SHEET**

RYOBI MITER STAND - MODEL NUMBER A18MS01G



## RYOBI MITER STAND – MODEL NUMBER A18MS01G

The model number will be found on a label attached to the frame assembly. Always mention the model number in all correspondence regarding your **MITER STAND** or when ordering replacement parts.

### PARTS LIST

KEY NO.	PART NUMBER	DESCRIPTION	QTY	KEY NO.	PART NUMBER	DESCRIPTION	QTY
1	0000220201	Foot End Cap .....	4	29	089041017702	Saw Mounting Bracket Assembly (Inc. Key Nos. 30-34 and 36-49) .....	2
2	0000220301-57	Leg.....	4	30	089041017712	Locking Lever w/End Cap .....	1
3	411072006	Lock Nut (M8) .....	4	31	0000220216	Right Cam .....	1
4	410132044	Screw (M6 x 18 mm, Pan Hd.) .....	2	32	089041017007	Screw (M4 x 12 mm, Pan Hd.) .....	2
5	0000220302-82	Leg Support Bracket .....	2	33	411072001	Lock Nut (M6) (Two Sets of 3) .....	6
6	413052002	E-Ring (E6).....	4	34	089041017006	Saw Mounting Bracket .....	1
7	0000220901	Spring .....	4	35	089041017008	Hex Nut (D5).....	2
8	0000220902	Locking Pin.....	4	36	0000220211	Saw Mounting Bracket End Cap (Two Sets of 2).....	4
9	0000220801	Carriage Bolt (M8 x 60 mm) .....	4	37	414012034	Pin (D5 x 45 mm) (Two Sets of 2) .....	4
10	089041017001	Extension Adjustment Knob (M8 x 25 mm).....	2	38	410132035	Screw (M6 x 30 mm, Pan Hd.) .....	1
11	0000220303-82	Work Support Mounting Bracket.....	2	39	411012004	Hex Nut (M6) .....	1
12	089041017002	Length/Height Adjustment Knob (M8 x 15 mm).....	4	40	0000220309	Rear Clamping Jaw Protector (Two Sets).....	2
13	0000220205	Square Tube End Cap (Outside).....	4	41	0000220213	Rear Clamping Jaw (Two Sets).....	2
14	089041017003	Work Stop Adjustment Knob.....	2	42	0000220214	Front Clamping Jaw (Two Sets).....	2
15	0000220304-82	Work Stop.....	2	43	0000220803	Screw A (Pan Hd., Special) (Two Sets of 2).....	4
16	0000220305	Work Support .....	2	44	0000220804	Screw B (Pan Hd., Special) (Two Sets).....	2
17	0000220204	Work Support End Cap .....	4	45	0000220217	Left Cam (Two Sets) .....	2
18	410032015	Carriage Bolt (M6 x 60 mm) .....	2	46	411012706	Hex Nut (5/16 in.) .....	4
19	089041017902	Logo Label.....	5	47	412022706	Lock Washer (5/16 in.).....	4
20	0000220306	Extension Rail.....	2	48	412012704	Washer (5/16 x OD16 x 2t) .....	4
21	410452004	Screw (M4 x 10 mm, Pan Hd.) .....	2	49	410032716	Carriage Bolt (5/16-18 x 2 in.) .....	4
22	0000220206	Extension Rail End Cap (Inside) .....	2	50	089041017901	Warning Label.....	2
23	410102008	Screw (M5 x 12 mm, Flat Hd.).....	4	<b>Not Shown:</b>			
24	0000220207	Extension Rail Locator Bracket .....	2	983000710	Operator's Manual (9000225330501)		
25	0000220208	Miter Saw Stand Upper Handle .....	1	(Rev:05)			
26	0000220209	Miter Saw Stand Lower Handle.....	1	8-7-19			
27	410542004	Screw (M4 x 16 mm, Truss Hd.) .....	2				
28	089041017701	Work Frame Assembly .....	1				