



BOSCH

Spray

ABR 200 AQUA-CONTR. | 0 600 800 151

Table of Content

| | |
|--------------------------|---|
| Spare parts list..... | 2 |
| Illustration - Type..... | 3 |

Spare parts list

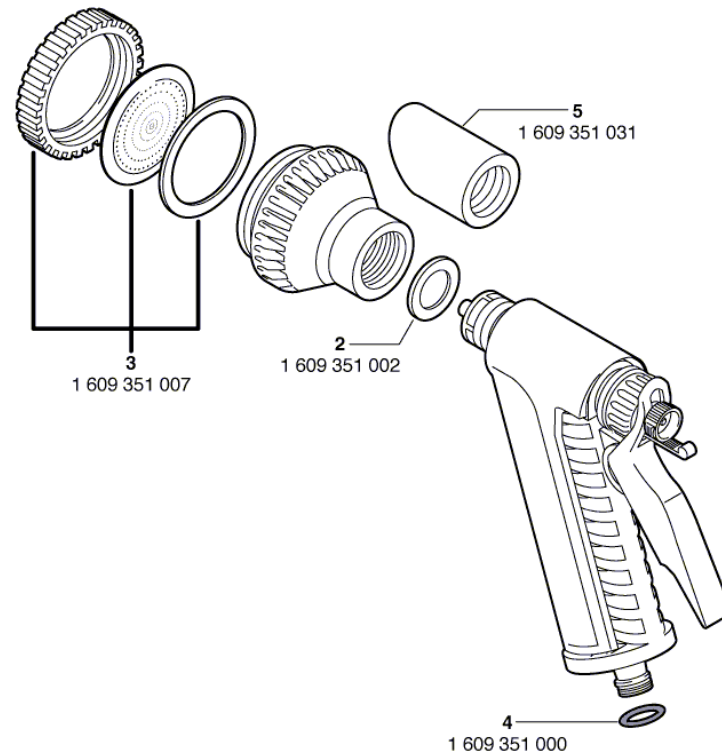
| Item | Part Number | Description | Illustration | Price | Quantity | Price Group |
|-------------|--------------------|--|---------------------|--------------|-----------------|--------------------|
| 2 | 1 609 351 002 | Gasket $\varnothing 15 \times \varnothing 24 \times 3 = 3/4''$ | 1 | - | 1 | |
| 3 | 1 609 351 007 | Parts Set | 1 | - | 1 | |
| 4 | 1 609 351 000 | O-Ring 11x2,5 MM | 1 | - | 1 | |
| 5 | 1 609 351 031 | Protective Cap | 1 | - | 1 | |

* Prices shown are suggested retail prices

Illustration - Type - E

Typ 0 600 802 151 = ABR 200 AQUA

Stand } 97-05-22
Issue }



Änderungen vorbehalten
Modifications reserved
Modificaciones reservadas
Salvo modificaciones
Robert Bosch GmbH
Geschäftsbereich Elektrowerkzeuge
70745 Leinfelden-Echterdingen