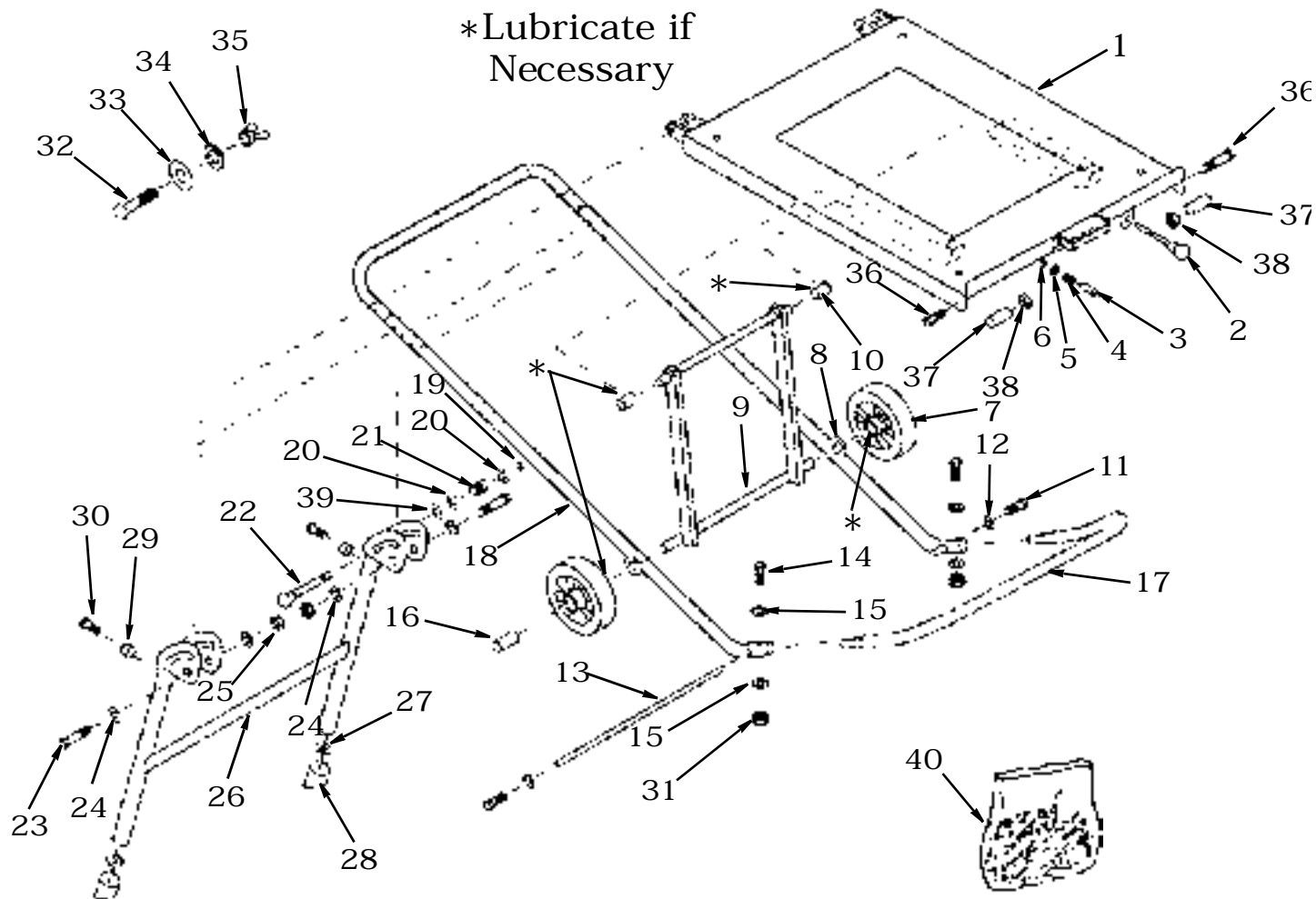


EXPLODED VIEW/REPAIR PARTS



Work-N-Haul IT™ Two Wheel Work Stand Model AC9930
RIDGID parts are at www.ridgidparts.com

1	747-01	Table	22	747-22	Locking Pin
2	747-02	Locking Pin	23	747-23	Hex Head Bolt (M8 x 62)
3	747-03	Metal Sleeve	24	747-24	Washer (8 ID)
4	747-04	Spring	25	747-25	Hex Nut (M8)
5	747-05	Washer (10 ID)	26	747-26	Rear Support
6	747-06	E Clip	27	747-27	Washer (10 ID)
7	747-07	Wheel	28	747-28	Cap Molded End
8	747-08	Washer (13 ID)	29	747-29	Foot
9	747-09	Table Support	30	747-30	Round Head Bolt (M8 x 20)
10	747-10	Nylon Roller	31	747-32	Nylock Nut (M6 x 6)
11	747-11	Hex Head Bolt (M6 x 15)	32	747-33	Carriage Bolt (1/4-20 in. x 3 in.)
12	747-12	Washer (6 ID)	33	747-34	Washer (1/4 in. ID x 1.5 mm)
13	747-13	Axle Shaft	34	747-35	Lockwasher (1/4 in. ID)
14	747-14	Hex Head Bolt (M6 x 41)	35	747-36	Wing Nut (1/4 in.)
15	747-15	Contoured Washer (6 ID)	36	747-38	Phillips Head Bolt (M5)
16	747-16	Metal Sleeve	37	747-39	Rubber-Stop
17	747-17	Front Foot	38	747-40	Hex Nut (M5)
18	747-18	Main Frame	39	747-41	Nylon Washer
19	747-19	E Clip	40	828809	Bag Loose Parts
20	747-20	Washer (8 ID)		983000-412	Operator's Manual
21	747-21	Spring			