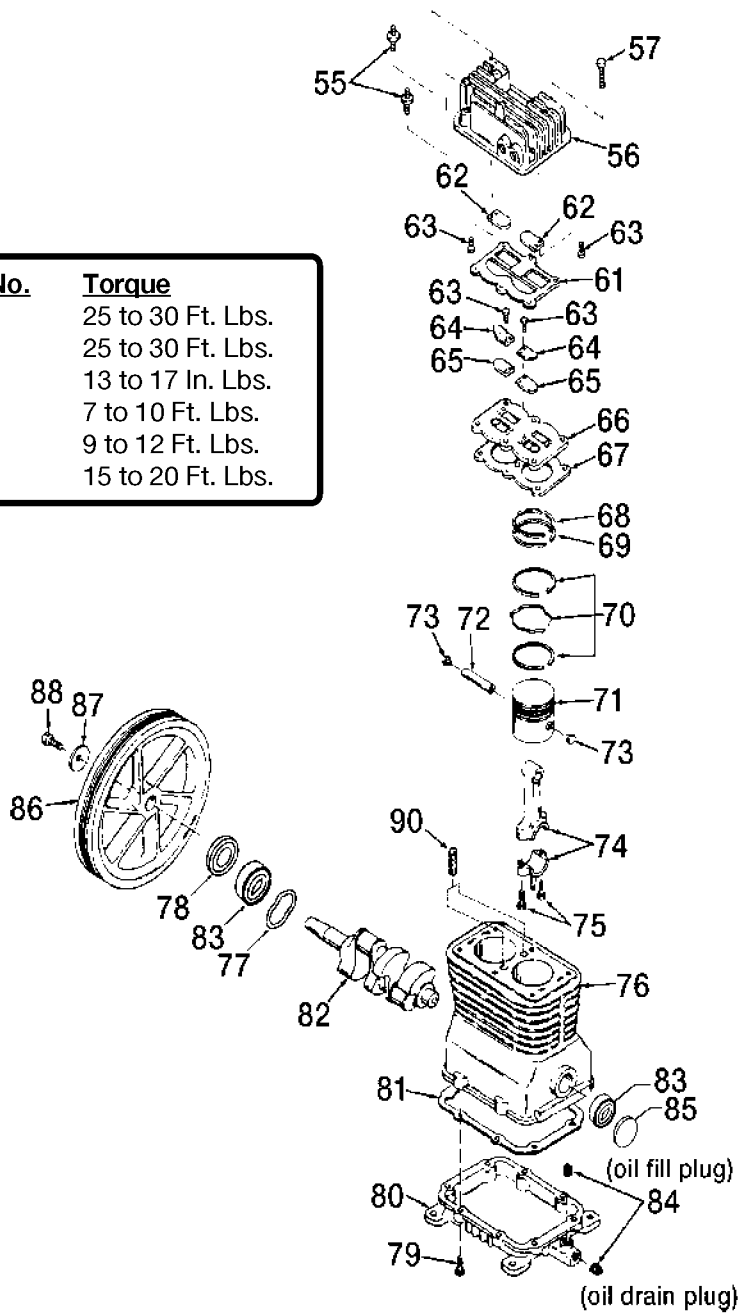


Key No.	Torque
55	25 to 30 Ft. Lbs.
57	25 to 30 Ft. Lbs.
63	13 to 17 In. Lbs.
75	7 to 10 Ft. Lbs.
79	9 to 12 Ft. Lbs.
88	15 to 20 Ft. Lbs.



Recommended Oils - One Stage Compressor Units
 Use a compressor oil such as SAE 20-20W SF motor oil. (Crankcase oil capacity is 16 fluid ounces.)
 Under extreme winter conditions use 10 weight oil. Multiviscosity oil, 10W30, will leave carbon deposits
 on critical components, reducing performance and compressor life.

Parts List for ACBL5G20HP Type 0

Item Number	Part Number	Description	Qty Required
1	000000-00	No Longer Available	1
2	SS-391	SCREW .250-20 .625 S	1
3	C-PU-2862	PULLEY 6J-SEC 2.80 O	1
4	D22996	SCREW .313-18X1.50 U	4
5	000000-00	No Longer Available	1
7	D27004	BRACKET ENGINE STOP	1
8	SUDL-43-1	HANDLE PULL BLACK IC	1
9	SSF-928	SCREW .313-18X.875 H	6
10	D27008	THROTTLE WIRE	1
11	000000-00	No Longer Available	1
12	000000-00	No Longer Available	1
13	D27007	THROTTLE CONTROL AIR	1
14	000000-00	No Longer Available	1
15	SSP-7811	ASSY NUT SLEEVE 1/4	2
16	000000-00	No Longer Available	1
17	SSP-6422	ELBOW	1
19	CAC-142	CLOSURE BELTGUARD	1
20	SSF-953-ZN	SCREW #10X.625 HHW S	7
21	D26824	VALVE UNLOADER GAS 1	1
22	SSP-7812	ASSY NUT SLEEVE 1/2	2
23	000000-00	No Longer Available	1
24	CAC-95	MANIFOLD	1
25	TIA-4150	VALVE SAFETY 150 .25	1
26	SS-3222-CD	PLUG PIPE	1
27	SS-1215	PLUG PIPE GALV 1/8	1
28	000000-00	No Longer Available	1
29	D26825	TUBE OUTLET .50 OD A	1

Parts List for ACBL5G20HP Type 0

Item Number	Part Number	Description	Qty Required
30	D22780	BRACKET STIFFENER 10	1
31	GA-348-B	GAUGE 2.0 200 .250 V	1
32	SSF-611	SCREW .313-24X.750 H	2
33	C-BT-224	BELT 6J 47.3 EFF	1
34	SSF-8111-ZN	NUT .375-16 HEX WHIZ	1
35	SSF-8113-ZN	NUT .375-16X.563 HEX	1
36	000000-00	No Longer Available	1
37	000000-00	No Longer Available	1
38	CAC-87-1	BELTGUARD	1
40	N286039	DRAIN VALVE	1
41	CAC-60	BOLT .375-16X2.25 UN	2
42	D23138	WHEEL 9 BLACK SEMI-P	2
43	SSF-8080-ZN	NUT .375-16 UNC-2B H	2
44	038738-00	NUT	2
45	A07639	SCREW	1
46	D24721	KIT ISOLATOR W/SCREW	1
47	000000-00	No Longer Available	1
48	000000-00	No Longer Available	1
55	SSF-6627	STUD SHOULDER 3/8-16	2
56	Z-CAC-4213	ASSY HEAD	1
57	SSF-955	SCREW .375-16X1.50 H	4
61	5140118-80	GASKET	1
62	KK-4275	KIT VALVE	1
63	KK-4275	KIT VALVE	1
64	CAC-294	PLATE RESTRICTOR	2
65	KK-4275	KIT VALVE	1
66	Z-CAC-4212-1	ASSY VALVE PLATE	1

Parts List for ACBL5G20HP Type 0

Item Number	Part Number	Description	Qty Required
67	5140118-79	GASKET	1
68	000000-00	No Longer Available	1
69	000000-00	No Longer Available	1
70	000000-00	No Longer Available	1
71	CAC-55-1	PISTON MACHINE DWG 2	2
72	265-19	PIN PISTON	2
73	CAC-207	PLUG PISTON PIN	4
74	265-410	ASSY CONNECTING ROD	2
75	SSF-927	SCREW .250-20X1.125	4
76	Z-AC-0205	CRANKCASE & CYLINDER	1
77	SSN-1018	WASHER WAVY SPRING 2	1
78	AC-0169	SEAL OIL	1
79	SSF-925	SCREW .250-20X.875 H	8
80	000000-00	No Longer Available	1
81	265-16-1	GASKET BASE	1
82	Z-D22270	CRANKSHAFT MACH BALL	1
83	SST-104	BEARING 6205C3	2
84	SSP-486	PLUG PIPE 3/8 - 18 N	2
85	SSP-505	PLUG 52MM OIL	1
86	265-2	FLYWHEEL 10 OD CI PO	1
87	SSN-1014-ZN	WASHER .339/.344 ID	1
88	SSF-3039-ZN	SCREW .313-18X.750 H	1
90	265-6	VENT FILTER	2
856	5140118-37	GASKET KIT	1
856	000000-00	No Longer Available	1
856	KK-4275	KIT VALVE	1