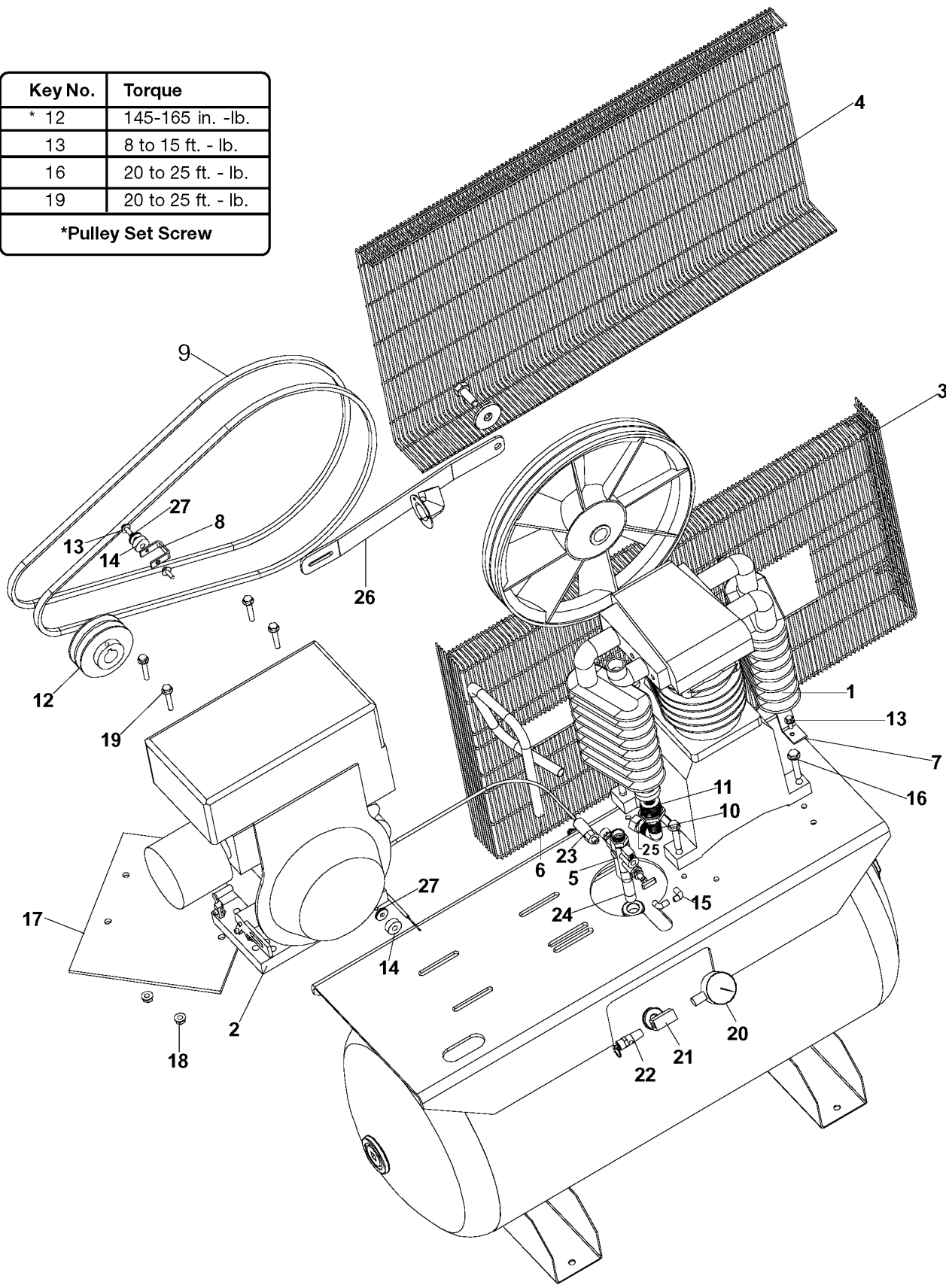
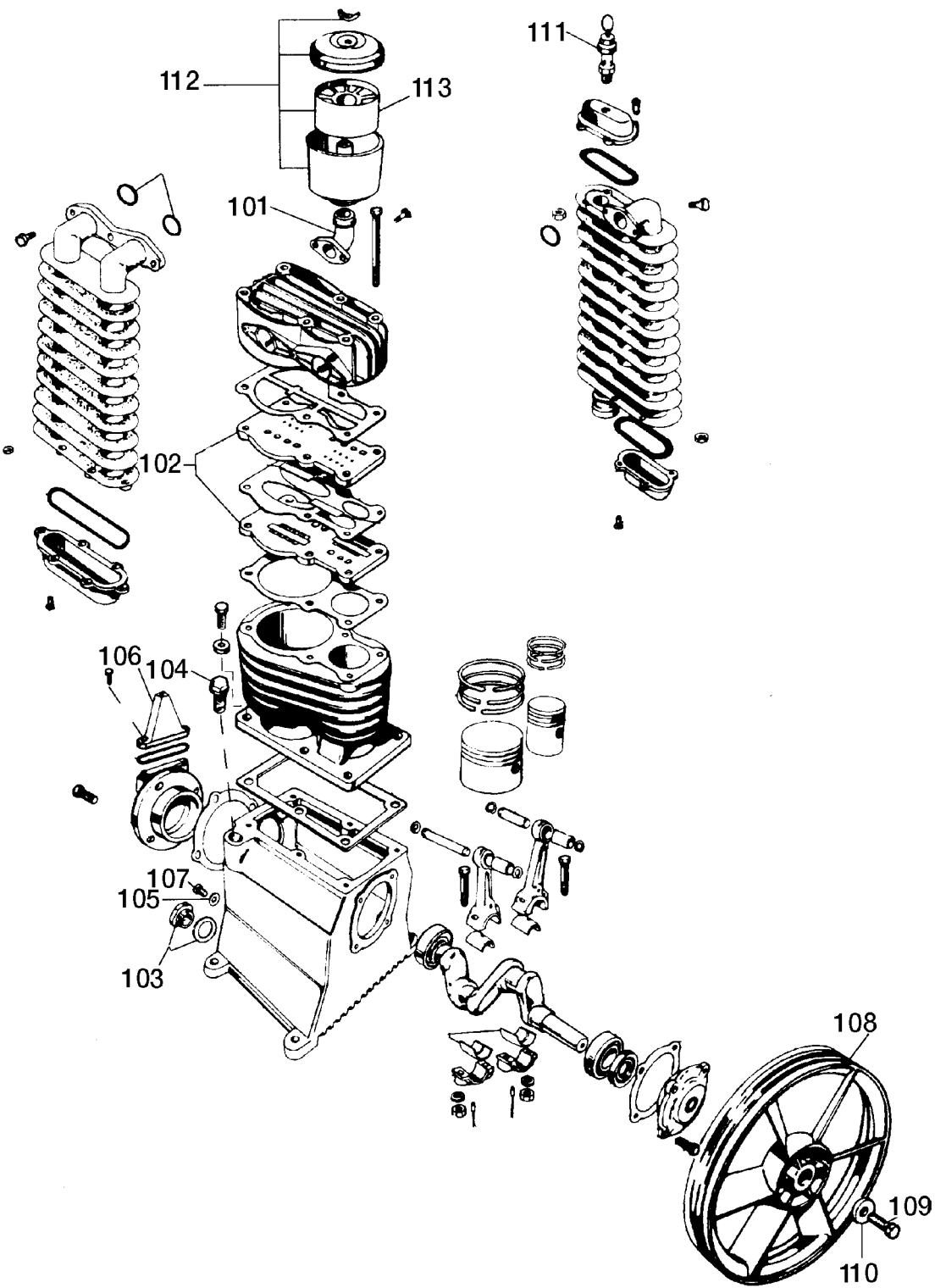


Key No.	Torque
* 12	145-165 in. -lb.
13	8 to 15 ft. - lb.
16	20 to 25 ft. - lb.
19	20 to 25 ft. - lb.

*Pulley Set Screw





Parts List for ACSL1130GH2 Type 1

Item Number	Part Number	Description	Qty Required
1	000000-00	No Longer Available	1
2	000000-00	No Longer Available	1
3	000000-00	No Longer Available	1
4	000000-00	No Longer Available	1
5	AC-0509	VALVE UNLOADER 11H 3	1
6	000000-00	No Longer Available	1
7	AC-0485	BRACKET BELTGUARD	1
8	000000-00	No Longer Available	1
9	000000-00	No Longer Available	2
10	SSP-6461	ELBOW 1/2NPT X 5/8 T	1
12	000000-00	No Longer Available	1
13	91895680	SCREW .250-20X.750 H	1
14	CAC-1011	SPRING ELASTOMER	1
15	SSP-535	ELBOW STREET 1/8 NPT	1
16	SSF-3159	SCREW .375-16X2.00 H	4
17	000000-00	No Longer Available	1
18	SSF-8111-ZN	NUT .375-16 HEX WHIZ	4
19	SSF-628	SCREW .375-16X2.50 H	4
20	000000-00	No Longer Available	1
21	000000-00	No Longer Available	1
22	TIA-4200	VALVE SAFETY 200 .25	1
23	AC-0510	THROTTLE CONTROL ACS	1
24	SSP-454	NIPPLE PIPE 1/2NPTX2	1
25	SSP-7824	ASSY NUT SLEEVE 5/8	2
26	000000-00	No Longer Available	1
27	000000-00	No Longer Available	5
101	ABP-1000123	ELBOW INLET T39	1

Parts List for ACSL1130GH2 Type 1

Item Number	Part Number	Description	Qty Required
102	BAL-1000345	PLATE VALVE	1
103	BAL-1000306	GLASS SIGHT OIL	1
104	000000-00	No Longer Available	1
105	BAL-1000269	GASKET OIL FILL PLUG	1
106	BAL-1000112	ASSY OIL BREATHER BA	1
107	000000-00	No Longer Available	1
108	AC-0436	FLYWHEEL T39	1
109	BAL-1000587	BOLT FLYWHEEL NS39 B	1
110	BAL-1000417	WASHER FLYWHEEL NS39	1
111	N022549	SAFETY VALVE	1
112	AC-0437	FILTER INLET SOLBERG	1
113	AC-0438	ELEMENT FILTER T29 &	1
856	000000-00	No Longer Available	1
856	000000-00	No Longer Available	1
856	N286039	DRAIN VALVE	1
856	000000-00	No Longer Available	1
856	000000-00	No Longer Available	1
856	BAL-8226022	KIT GASKET T39	1
856	SSF-953-ZN	SCREW #10X.625 HHW S	1
856	SSF-8131	NUT SPEED 8AB U TYPE	4
856	BAL-8226024	KIT VALVE T39	1