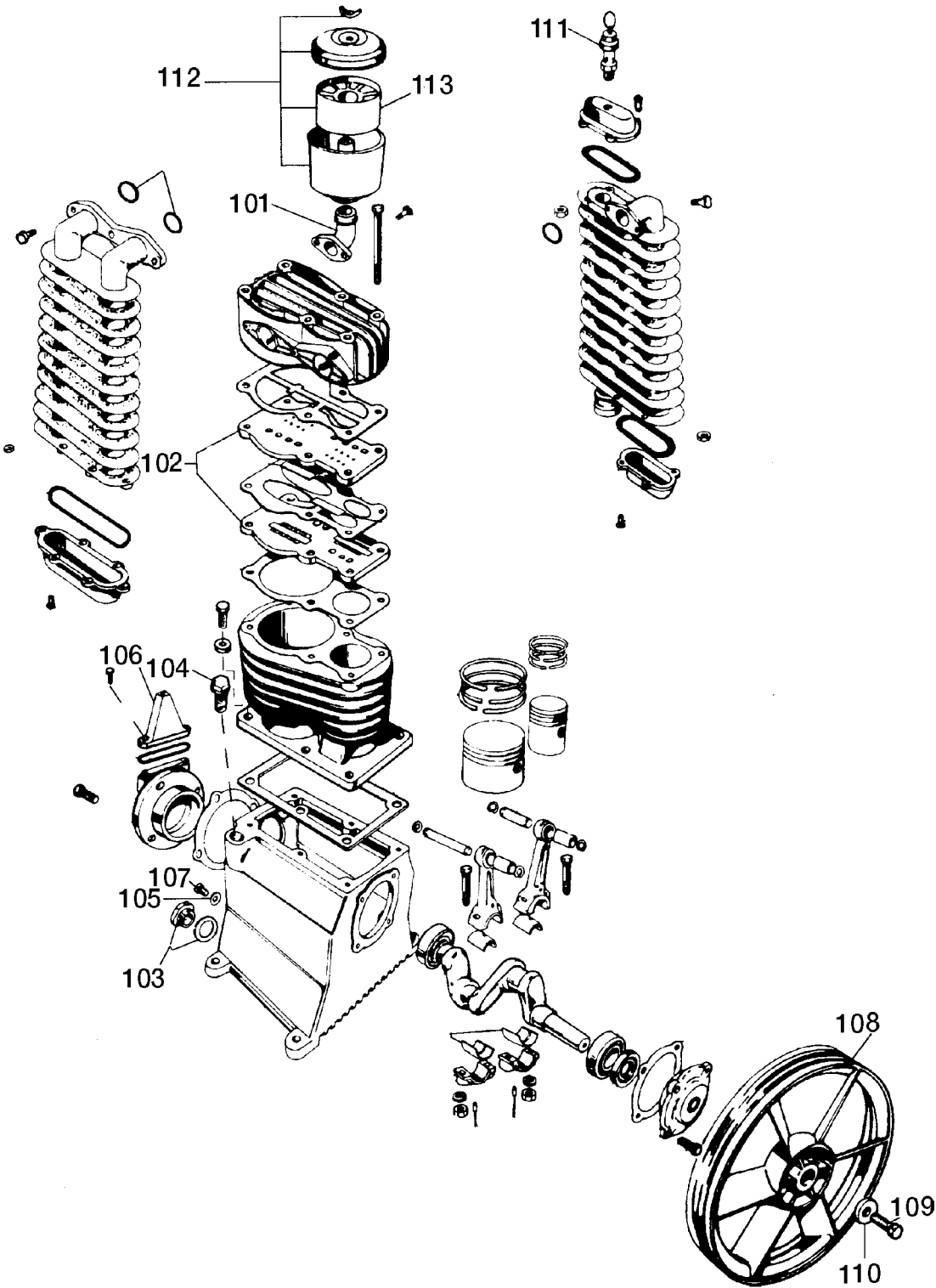


BAL-T39



Parts List for ACSL560V2 Type 1

| Item Number | Part Number | Description | Qty Required |
|-------------|-------------|----------------------|--------------|
| 1 | 000000-00 | No Longer Available | 1 |
| 2 | D26719 | MOTOR OL 240V 2POLE | 1 |
| 3 | 5140110-49 | PRESSURE SWITCH | 1 |
| 4 | TIA-4200 | VALVE SAFETY 200 .25 | 1 |
| 5 | GA-360-B | GAUGE 300 PSI BACK M | 1 |
| 6 | N000323 | VALVE GLOBE 200 PSI | 1 |
| 7 | N286039 | DRAIN VALVE | 1 |
| 8 | 000000-00 | No Longer Available | 1 |
| 8 | 000000-00 | No Longer Available | 1 |
| 9 | SSF-953-ZN | SCREW #10X.625 HHW S | 1 |
| 10 | 000000-00 | No Longer Available | 1 |
| 11 | 000000-00 | No Longer Available | 1 |
| 12 | SSF-8131 | NUT SPEED 8AB U TYPE | 1 |
| 13 | 000000-00 | No Longer Available | 1 |
| 14 | 000000-00 | No Longer Available | 1 |
| 15 | SSP-7811 | ASSY NUT SLEEVE 1/4 | 1 |
| 16 | 000000-00 | No Longer Available | 1 |
| 17 | SSP-7824 | ASSY NUT SLEEVE 5/8 | 2 |
| 101 | ABP-1000123 | ELBOW INLET T39 | 1 |
| 102 | BAL-1000345 | PLATE VALVE | 1 |
| 103 | BAL-1000306 | GLASS SIGHT OIL | 1 |
| 104 | 000000-00 | No Longer Available | 1 |
| 105 | BAL-1000269 | GASKET OIL FILL PLUG | 1 |
| 106 | BAL-1000112 | ASSY OIL BREATHER BA | 1 |
| 107 | 000000-00 | No Longer Available | 1 |
| 108 | AC-0436 | FLYWHEEL T39 | 1 |
| 109 | BAL-1000587 | BOLT FLYWHEEL NS39 B | 1 |

Parts List for ACSL560V2 Type 1

| Item Number | Part Number | Description | Qty Required |
|-------------|-------------|----------------------|--------------|
| 110 | BAL-1000417 | WASHER FLYWHEEL NS39 | 1 |
| 111 | ABP-9049020 | VALVE SAFETY | 1 |
| 112 | AC-0437 | FILTER INLET SOLBERG | 1 |
| 113 | AC-0438 | ELEMENT FILTER T29 & | 1 |
| 856 | 000000-00 | No Longer Available | 1 |
| 856 | 000000-00 | No Longer Available | 1 |
| 856 | 000000-00 | No Longer Available | 1 |
| 856 | DAC-252 | VALVE CHECK 1/2NPT X | 1 |
| 856 | AC-0485 | BRACKET BELTGUARD | 1 |
| 856 | BAL-8226022 | KIT GASKET T39 | 1 |
| 856 | BAL-8226024 | KIT VALVE T39 | 1 |