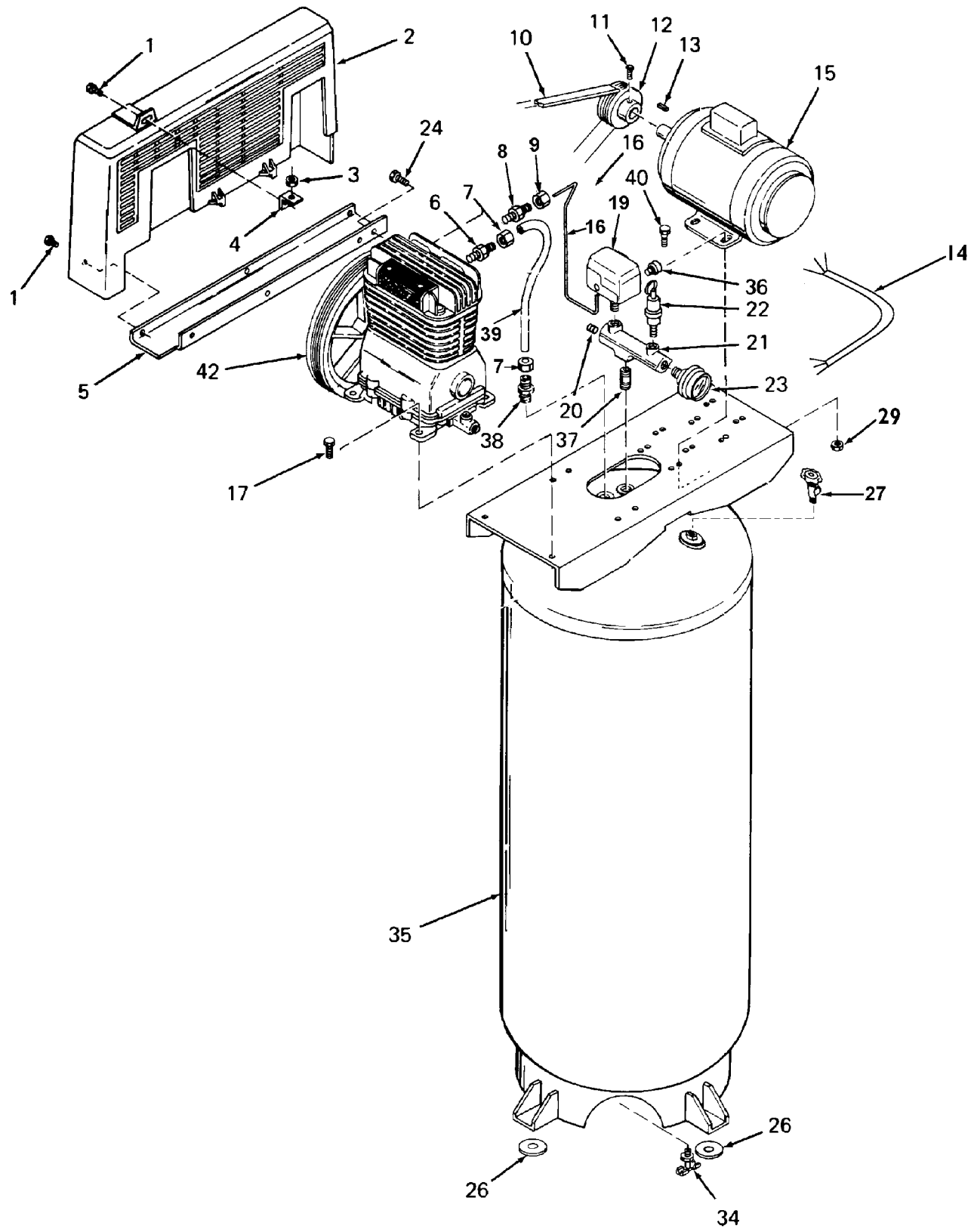


Key No.	Torque
55	25 to 30 Ft. Lbs.
57	25 to 30 Ft. Lbs.
63	13 to 17 In. Lbs.
75	7 to 10 Ft. Lbs.
79	9 to 12 Ft. Lbs.
88	15 to 20 Ft. Lbs.

Recommended Oils - One Stage Compressor Units
 Use a compressor oil such as SAE 20-20W SF motor oil. (Crankcase oil capacity is 16 fluid ounces.)
 Under extreme winter conditions use 10 weight oil. Multiviscosity oil, 10W30, will leave carbon deposits
 on critical components, reducing performance and compressor life.



Parts List for AFL660V Type 1

Item Number	Part Number	Description	Qty Required
1	SSF-953-ZN	SCREW #10X.625 HHW S	4
2	000000-00	No Longer Available	1
3	SSF-8113-ZN	NUT .375-16X.563 HEX	1
4	000000-00	No Longer Available	1
5	CAC-362-1	CLOSURE BELTGUARD	1
6	SSP-9401	CONNECTOR BODY STRAI	1
7	SSP-7812	ASSY NUT SLEEVE 1/2	2
8	SS-8553	CONNECTOR BODY	1
9	SSP-7811	ASSY NUT SLEEVE 1/4	1
10	C-BT-224	BELT 6J 47.3 EFF	1
11	SS-391	SCREW .250-20 .625 S	1
12	000000-00	No Longer Available	1
13	SUDL-65	KEY MOTOR SHAFT	1
14	CAC-4205	CORD MOTOR SJT 14G	1
15	Z-MO-3022-1	MOTOR 2 POLE 240V O/	1
16	CAC-1331	TUBE PRESSURE RELEAS	1
17	SSF-928	SCREW .313-18X.875 H	4
19	000000-00	No Longer Available	1
20	SS-3222-CD	PLUG PIPE	1
21	CAC-95	MANIFOLD	1
22	TIA-4150	VALVE SAFETY 150 .25	1
23	A18885	GAUGE	1
24	39124607	SCREW .250-20X.625 H	2
26	000000-00	No Longer Available	1
27	N000323	VALVE GLOBE 200 PSI	1
29	SSF-8150	NUT .312-18 UNC HEX	1
34	N286039	DRAIN VALVE	1

Parts List for AFL660V Type 1

Item Number	Part Number	Description	Qty Required
35	000000-00	No Longer Available	1
36	33821-00	BUSHING	1
36	438010040063	HEYCO BUSHINGS	1
37	SS-2110	NIPPLE GALV 3/8 X 3	1
38	CAC-437-2	VALVE CHECK 1/2NPT X	1
39	CAC-357-1	TUBE OUTLET 60G	1
40	000000-00	No Longer Available	4
42	N076027SV	PUMP ASSEMBLY	1
55	SSF-6627	STUD SHOULDER 3/8-16	1
56	Z-CAC-4213	ASSY HEAD	1
57	SSF-955	SCREW .375-16X1.50 H	5
60	SSP-9401	CONNECTOR BODY STRAI	1
61	5140118-80	GASKET	1
62	KK-4275	KIT VALVE	2
63	KK-4275	KIT VALVE	1
64	CAC-294	PLATE RESTRICTOR	2
65	KK-4275	KIT VALVE	1
66	Z-CAC-4212-1	ASSY VALVE PLATE	1
67	5140118-79	GASKET	1
68	000000-00	No Longer Available	1
69	000000-00	No Longer Available	1
70	000000-00	No Longer Available	1
71	CAC-55-1	PISTON MACHINE DWG 2	2
72	265-19	PIN PISTON	2
73	CAC-207	PLUG PISTON PIN	1
74	265-410	ASSY CONNECTING ROD	2
75	SSF-927	SCREW .250-20X1.125	4

Parts List for AFL660V Type 1

Item Number	Part Number	Description	Qty Required
76	Z-AC-0205	CRANKCASE & CYLINDER	1
77	SSN-1018	WASHER WAVY SPRING 2	1
78	AC-0169	SEAL OIL	1
79	SSF-925	SCREW .250-20X.875 H	8
80	000000-00	No Longer Available	1
81	265-16-1	GASKET BASE	1
82	Z-D22270	CRANKSHAFT MACH BALL	1
83	SST-104	BEARING 6205C3	2
84	SSP-486	PLUG PIPE 3/8 - 18 N	2
85	SSP-505	PLUG 52MM OIL	1
86	265-2	FLYWHEEL 10 OD CI PO	1
87	SSN-1014-ZN	WASHER .339/.344 ID	1
88	SSF-3039-ZN	SCREW .313-18X.750 H	1
90	265-6	VENT FILTER	2
856	000000-00	No Longer Available	1
856	5140118-37	GASKET KIT	1
856	KK-4275	KIT VALVE	1
856	265-17	FILTER FELT	1