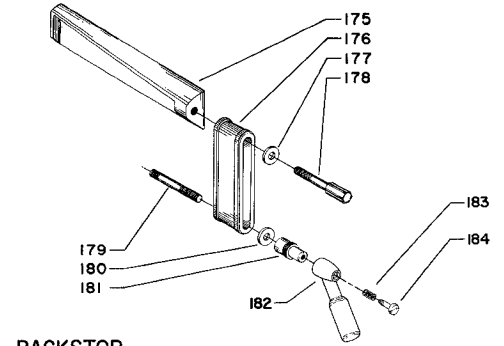
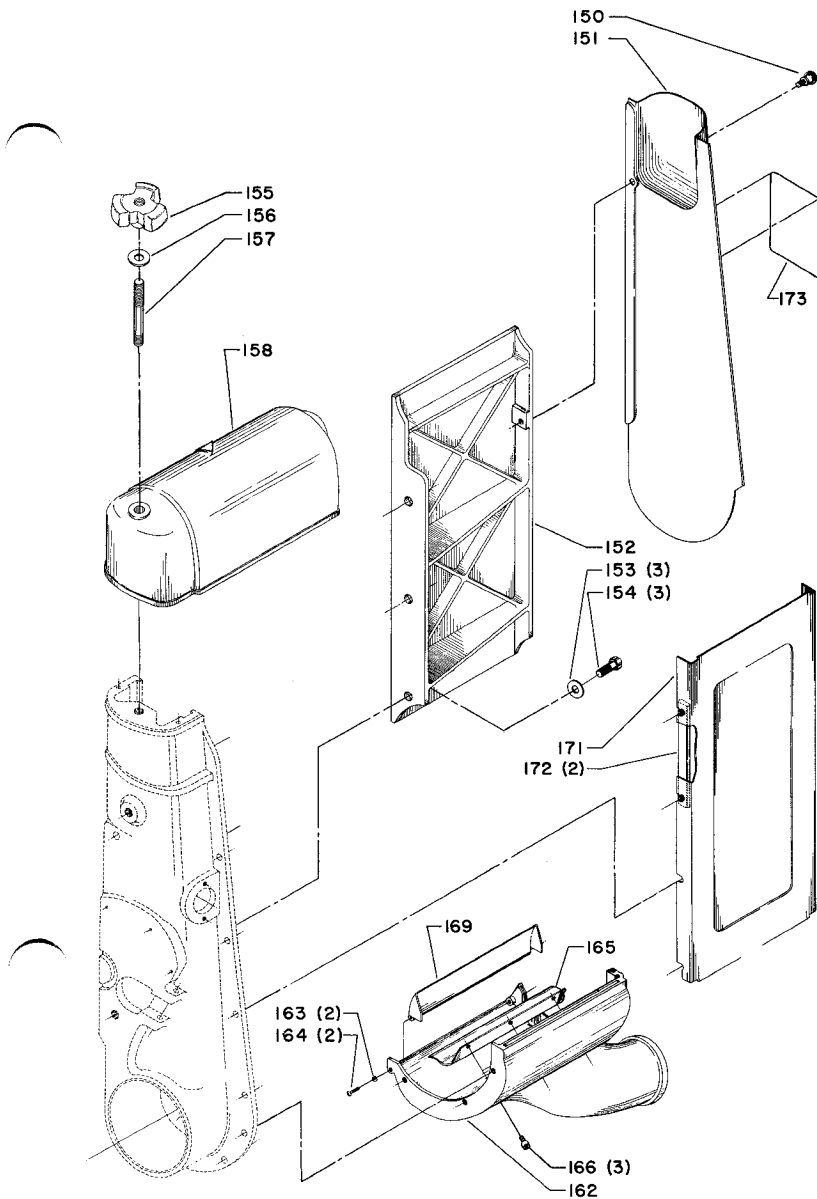


REPLACEMENT PARTS

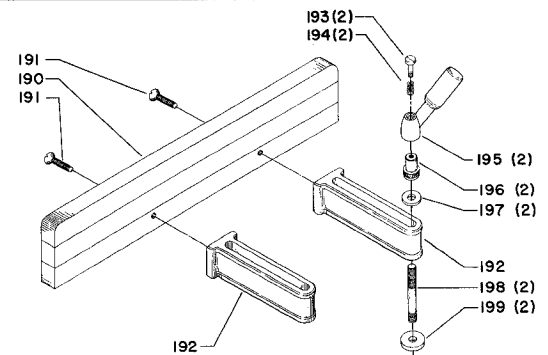
REF. NO.	PART NO.	DESCRIPTION	REF. NO.	PART NO.	DESCRIPTION
*	406-03-362-0001	Idler Drum Brkt., Ass'y., Const of:	66	420-01-106-0003	Drive Shaft
1	406-03-014-0001	Idler Drum Brkt (Early Models Only)	67	927-03-010-2656	Key
1A	902-07-020-7176	Bearing Closure Nut - 1.62" O.D. (Current Models Only)	68	920-04-020-5348	Bearing
		Bearing Closure Nut (1.40 O.D.) (Early Models Only)	69	902-07-030-7171	Bearing Nut
1B	902-07-020-7174	Bearing Closure Nut (1.40 O.D.) (Early Models Only)	70	420-01-354-0003	Belt Guard
2	905-01-010-5085	5/16 X 3/4" Roll Pin	71	901-03-040-8015	1/4-20 X 1/2" Button Hd. Screw
3	406-03-071-0001	Key	71A	904-01-010-1620	5/16" Washer
4	902-01-201-2558	Hex Nut	72	41-074	4-1/2" Dia. Arbor Pulley, 3/4" Bore, Incl.:
5	920-04-010-7273	Bearing	73	901-04-150-0206	5/16-18 X 5/16" Hex Soc. Set Screw
6	406-03-104-0002	Spacer	74	49-035	"V" Belt, 55 3/8" O.C.
7	406-03-362-0003	Idler Drum (Pair)	77	424-03-754-0001	Nameplate
8	406-03-108-0001	Idler Drum Shaft	78	420-01-005-0002	Base
9	406-03-104-0001	Spacer	79	904-02-020-1704	3/8" Lockwasher
15	406-03-067-0001	Belt Tension Lever	80	901-01-060-0642	3/8-16 X 1" Hex Hd. Cap Screw
16	406-03-071-0002	Belt Tension Lever Pin	81	901-03-011-9984	3/8-24 X 1-1/2" Soc. Hd. Cap Screw
17	904-07-010-5567	1/2" Fiber Washer	82	904-01-010-1606	3/8" Washer
18	406-03-138-0003	Knob	83	901-01-060-0688	3/8-24 X 3/4" Hex Hd. Cap Screw
19	406-03-412-0007	Belt Adj. Screw Ass'y.	84	901-04-020-8670	7/16-14 X 3" Sq. Hd. Set Screw
20	406-03-049-0002	Frame	85	902-01-201-2579	7/16-14 Hex Nut
21	951-02-010-7822	Tilting Scale	90	416-02-054-0001	Upper Guard
22	901-06-450-2250	#4 X 3/16" Drive Screw	91	901-04-150-9428	#8-32 X 1/2" Slotted Set Screw
23	901-03-010-0229	1/4-20 X 1/2" Soc Hd Cap Screw	92	901-03-010-0229	1/4-20 X 1/2" Soc Hd Cap Screw
24	905-01-013-1044	7/32 X 1-3/4" Roll Pin	93	416-02-054-0002	Lower Guard
25	418-03-088-0001	Stop Lock	94	420-01-111-0003	Stud
27	31-401	Tilting Table Ass'y., Incl:	100	416-02-327-0002	Clamp w/Pins
27A	406-03-137-0004	Nameplate	101	420-01-075-0001	Pointer
27B	901-06-450-2250	#4 x 3/16" Drive Screw	102	901-02-010-0502	1/4-20 X 1/4" Rd. Hd. Screw
28	406-03-395-0001	Trunnion, Incl.:	103	406-03-138-0004	Knob
29	418-03-055-0001	Guide	104	928-01-021-4125	Coil Spring
30	901-03-010-3318	#10-32 X 3/8" Soc Hd Cap Screw	105	904-01-031-2925	7/16" Washer
31	904-01-010-1609	3/16" Washer	*	416-02-395-0001	Trunnion Ass'y., Const. of:
32	951-01-010-7802	Pointer	106	416-02-095-0001	Trunnion
33	901-04-193-1064	1/4-28 X 1" Hex Soc. Set Screw	107	951-02-010-7820	Tilting Scale
35	1231522	5/32 X 1/2" Headed Pin	108	901-06-450-2250	#4 X 3/16" Drive Screw
36	901-01-060-0688	3/8-24 X 3/4" Hex Hd. Cap Screw (Early Models Only)	109	904-01-010-1603	3/16" Washer
36	901-01-060-0607	5/16-18 x 3/4" Hex Hd Cap Screw (Current Models Only)	110	901-01-060-0612	1/4-20 X 5/8" Hex Hd. Cap Screw
36A	904-01-010-1620	5/16" Flat Washer (Current Models Only)	111	31-034	Disk Ass'y., Incl.:
37	406-03-122-0002	Compression Spring	112	901-03-030-0761	1/4-20 X 1/2" Hex Soc. Flat Hd. Screw
38	406-03-112-0003	Special Screw	113	901-04-190-0201	5/16-18 X 5/16" Hex Soc. Set Screw
39	901-07-261-3207	7/16-14 X 2-13/16" Stud	114	416-02-091-0001	Table
40	904-01-010-1606	3/8" Washer	117	416-02-095-0001	Trunnion
41	902-04-030-1408	7/16-14 Serrated Nut	118	904-01-010-1603	3/16" Washer
42	406-03-033-0001	Clamp Handle	119	901-01-060-0612	1/4-20 X 5/8" Hex Hd. Cap Screw
*	1086998	Screw Ass'y., Const. of:	122	901-01-060-0645	3/8-16 X 3" Hex Hd. Cap Screw
45	902-02-010-1304	7/16-14 Sq. Nut	123	904-01-010-1606	3/8" Washer
46	406-03-122-0001	Spring	123A	902-01-010-5900	3/8" Hex Nut
47	406-03-031-0001	Cover	124	400-06-603-0001	Envelope
48	928-01-021-3381	Spring	125	400-06-079-0001	Retainer
49	1086990	Screw Ass'y., Incl.:	126		Abrasive Disc
50	904-10-031-3804	Collar	127		Abrasive Belt
51	905-01-010-2704	1/8 X 3/4" Roll Pin			
52	904-07-011-5711	7/16" Fiber Washer	126	31-427	Garnet Disc. (50 Grit) Pkg. of 6
54	406-03-020-0001	Cap	126	31-428	Alum. Oxide Disc. (60 Grit) Pkg. of 6
55	406-03-438-0001	Crank, Incl.:	127	31-142	Garnet Belt (80 Grit)
56	901-04-190-0225	5/16-18 X 1/4" Hex Soc. Set Screw	127	31-314	Garnet Belt (40 Grit)
57	0919783	#10-32 X 7/8" Fil. Hd. Screw	127	31-404	Alum. Oxide Belt (100 Grit)
58	902-01-201-2560	Drive Shaft Nut	127	31-405	Alum. Oxide Belt (50 Grit)
59	406-01-362-0006	Drive Drum (Pair)	**	49-503	Disc Adhesive
60	406-03-079-0001	Bearing Retainer			
61	406-03-104-0003	Spacer Collar			
62	920-04-020-5360	Bearing			
63	406-03-027-0001	Clamp Ring	140	41-033	2-3/4" Dia. Motor Pulley, 5/8" Bore Incl.:
64	406-03-012-0001	Bearing Housing	141	901-04-150-0206	5/16-18 X 5/16" Hex Soc. Set Screw
65	901-01-060-0639	7/16-14 X 5-1/2" Hex Hd. Cap Screw	*		NOT SHOWN ASSEMBLED
			**		NOT SHOWN

ACCESSORY BELTS AND DISCS

INCLUDED WITH STAND AND ELECTRICALS



BACKSTOP



FENCE

REPLACEMENT PARTS

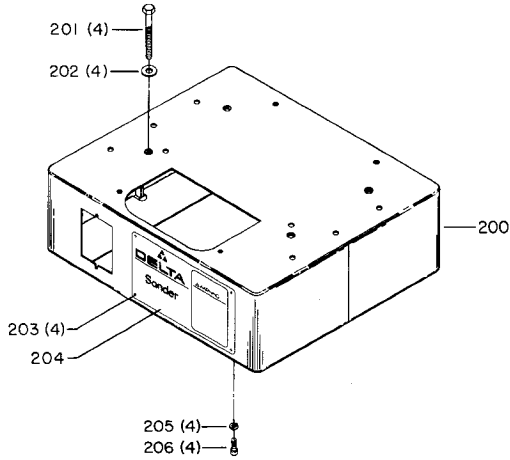
REF. NO.	PART NO.	DESCRIPTION	REF. NO.	PART NO.	DESCRIPTION
150	901-04-340-7605	Special Thumb Screw			
151	406-03-054-0015	Side Guard Platen			
152	406-03-091-0001	Platen			
153	904-01-010-1605	5/16" Washer			
154	901-01-060-0640	3/8-16 X 3/4" Hex Hd. Cap Screw			
155	406-03-138-0004	Knob			
156	904-01-031-2925	7/16" Washer			
157	420-01-111-0003	Stud			
158	406-03-054-0014	Idler Drum Guard			
162	406-03-054-0013	Drive Drum Guard			
163	904-02-010-1726	#8 Lockwasher			
164	901-03-010-8072	#6-32 X 3/4" Rd. Hd. Screw			
165	406-03-036-0002	Dust Deflector			
166	901-03-010-3318	#10-32 X 3/8" Soc Hd Cap Screw			
169	406-03-036-0001	Deflector Plate Guard			
171	406-03-054-0004	Bottom Guard			
172	406-03-004-0001	Clamp Bar			
173	406-00-752-0001	Warning Decal			
					ACCESSORIES - NOT FURNISHED WITH BASIC MACHINE
			*	31-403	Backstop Assembly, Const. of:
			175	406-03-088-0001	Backstop
			176	406-03-014-0004	Link for Backstop
			177	904-10-031-2097	Special Washer
			178	901-09-070-6124	Split Clamp Screw
			179	420-01-111-0003	Stud
			180	904-10-031-2097	Special Washer
			181	432-01-027-0004	7/16-14 Serrated Nut
			182	406-03-033-0001	Clamp Handle
			183	406-03-122-0002	Compression Spring
			184	406-03-112-0003	Special Screw
			*	31-014	Fence Ass'y., Const. of:
			190	406-03-043-0001	Fence
			191	901-02-030-0409	5/16-18 X 1-1/4" Flat Hd. Screw
			192	406-03-014-0002	Fence Bracket
			193	406-03-112-0003	Special Screw
			194	406-03-122-0002	Compression Spring
			195	406-03-033-0001	Clamp Handle
			196	902-04-030-1408	7/16-14 Serrated Nut
			197	904-10-031-2097	Special Washer
			198	420-01-111-0003	Stud
			199	904-10-031-3803	Special Washer
			**	34-368	Clamp Attach. For Miter Gage
			**	34-895	Miter Gage
			*		NOT SHOWN ASSEMBLED
			**		NOT SHOWN

This parts list is provided to aid in obtaining service parts. Operational and maintenance information is contained in a separate owner's manual which is available through your local service outlet.

ACCESSORIES NOT FURNISHED WITH BASIC MACHINE

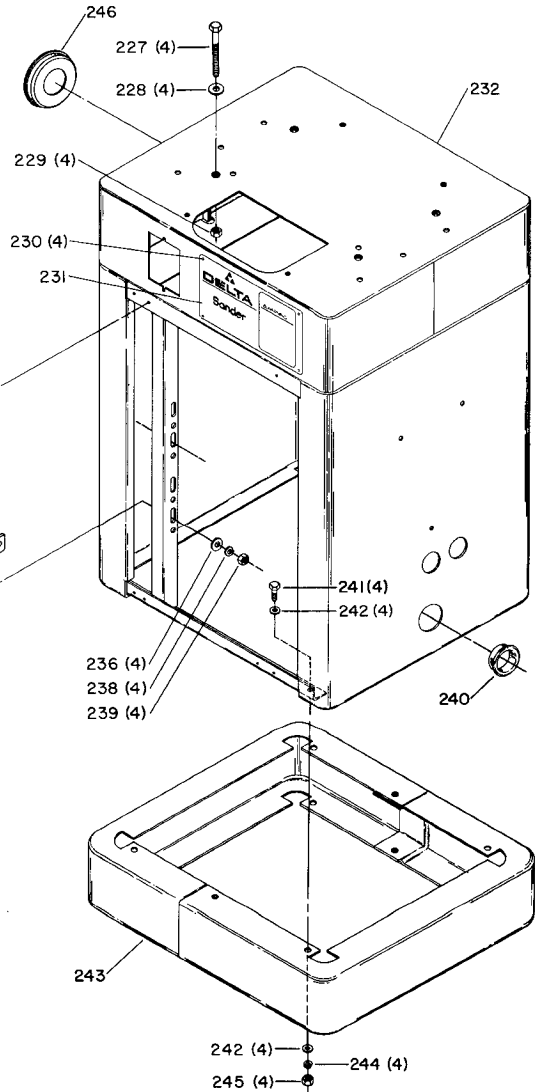
REPLACEMENT PARTS

REF. NO.	PART NO.	DESCRIPTION
200	31-123	Riser Block, Incl: (Early Models Only)
201	901-01-060-0645	3/8-16 x 3" Hex Hd Cap Screw
202	904-01-010-1606	3/8" Flat Washer
203	1087794	Rivet
204	406-03-137-0003	Nameplate
205	904-02-010-1703	5/16" Lockwasher (Early Models Only, to Mount Riser Block to Stand)
206	901-01-060-0607	5/16-18 x 3/4" Hex Hd Cap Screw (Early Models Only, to Mount Riser Block to Stand)



REPLACEMENT PARTS

REF. NO.	PART NO.	DESCRIPTION
*	50-114	Basic Stand, const. of:
227	901-01-060-0645	3/8-16 x 3" Hex Hd Cap Screw
228	904-01-010-1606	3/8" Flat Washer
229	902-01-010-5900	3/8" Hex Nut
230	1087794	Rivet
231	406-03-137-0003	Nameplate
232	436-01-318-0011	Cabinet Assembly
233	901-06-423-1170	#10-32 x 5/8" Rd Hd Self Tap Screw
234	436-01-123-0002	Side Panel
235	901-11-020-0834	5/16-18 x 3/4" Car. Bolt
236	904-01-010-1620	5/16" Flat Washer
237	436-01-004-0006	Motor Bracket
238	904-02-010-1703	5/16" Lockwasher
239	902-01-010-1300	5/16" Hex Nut
240	438-01-011-0020	Insulator
241	901-01-060-0607	5/16-18 x 3/4" Hex Hd Cap Screw
242	904-01-010-1620	5/16" Flat Washer
243	436-01-305-0001	Sub Base
244	904-02-010-1703	5/16" Lockwasher
245	902-01-010-1300	5/16" Hex Nut
246	436-01-074-0002	Hole Plug
**	901-11-020-0834	(4) 5/16-18 x 3/4" Car. Bolt (To Mount Motor to Motor Bracket)
**	902-01-010-1300	(4) 5/16-18 Hex Nut (To Mount Motor to Motor Bracket)
**	904-02-010-1703	(4) 5/16" Lockwasher (To Mount Motor to Motor Bracket)
*	NOT SHOWN ASSEMBLED	
**	NOT SHOWN	



This parts list is provided to aid in obtaining service parts. Operational and maintenance information is contained in a separate owner's manual which is available through your local service outlet.

Doc. 3321G