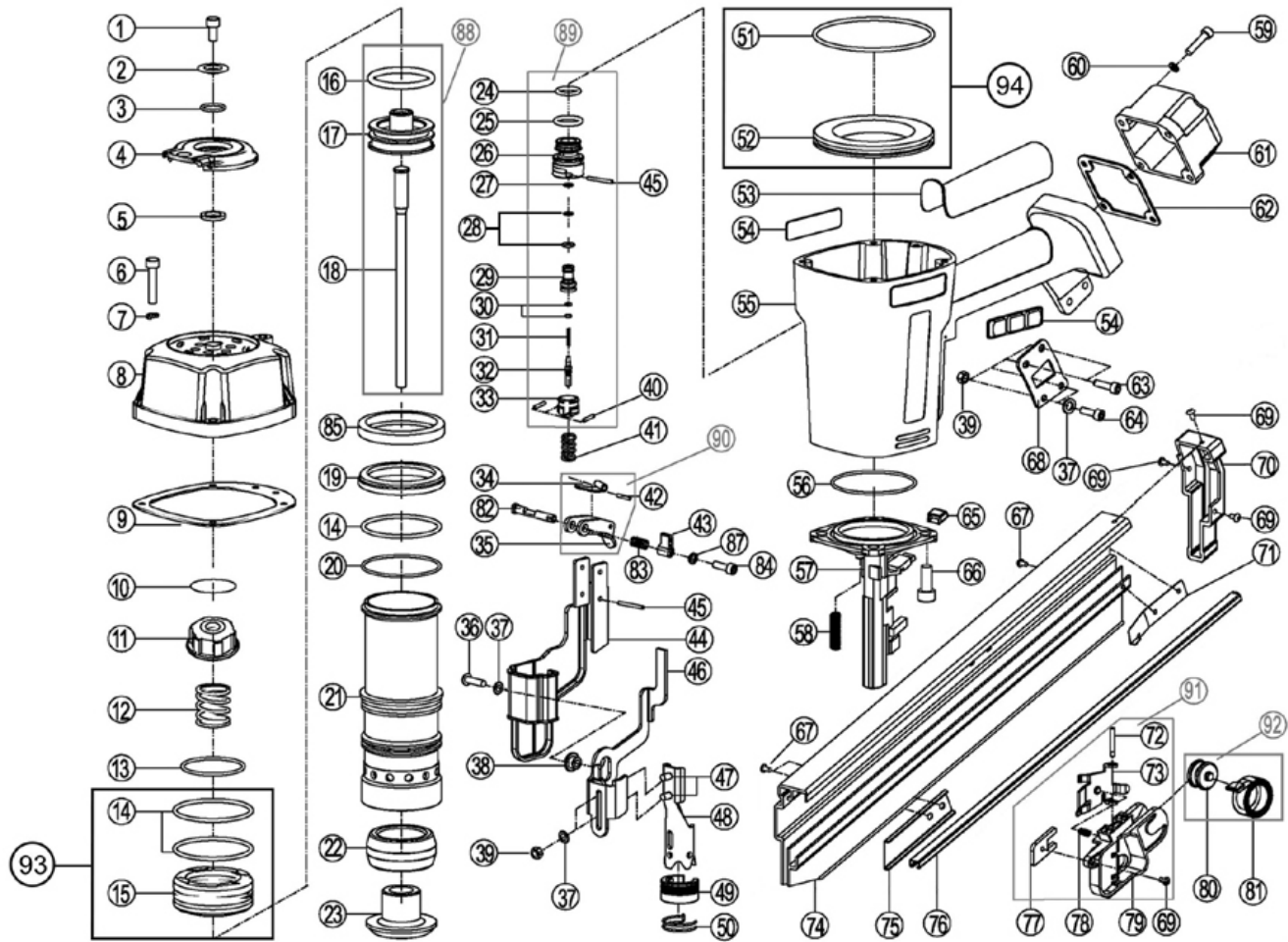


Air Locker

SCHEMATIC & PARTS LIST Model # AL90A



No.	Description	Qty.	No.	Description	Qty.	No.	Description	Qty.	No.	Description	Qty.
1	Screw Bolt	1	22	Bumper Upper	1	43	Safety Mode Switch	1	66	Screw Bolt	1
2	Washer	1	23	Bumper Lower	1	44	Safety Cover	1	67	Rivet	2
3	O-Ring	1	89	Trigger Valve Assembly	1	46	Safety Lever Upper	1	68	Magazine Support Bracket	1
4	Exhaust Deflector	1	24	O-Ring	1	47	Screw Bolt	2	70	Magazine End Cover	1
5	Washer	1	25	O-Ring	1	48	Safety Lever Lower	1	71	Nail Release Leaf Spring	1
6	Screw Bolt	1	26	Trigger Valve Cage	1	49	No - Mar Pad	1	74	Magazine	1
7	Washer	1	27	O-Ring	1	50	Spring Retainer	1	75	Magazine Gasket	1
8	Head Cap	1	28	O-Ring	2	94	Cylinder Spacer Assembly	1	76	Nail Guide Steel Bar	1
9	Headcap Gasket	1	29	Trigger Valve	1	51	O-Ring	1	91	Nail Feeder Assembly	1
10	Washer	1	30	O-Ring	2	52	Cylinder Spacer	1	69	Rivet	4
11	Head Valve	1	31	Conical Spring	1	53	Hand Grip	1	72	Spring Cylinder Pin	1
12	Compression Spring	1	32	Trigger Plunging Pin	1	54	Protect Pad	1	73	Feeder Click Lever	1
13	O-Ring	1	33	Trigger Valve Stem	1	55	Tool Body	1	77	Stopper	1
93	Head Valve Stopper Assembly	1	40	Spring Cylinder Pin	2	56	O-Ring	1	78	Elastic Spring	1
14	O-Ring	3	45	Spring Cylinder Pin	2	57	Drive Guide Unit	1	79	Nail Feeder Unit	1
15	Head Valve Piston Stopper	1	90	Trigger Assembly	1	58	Compression Spring	1	92	Ribbon Spring Assembly	1
88	Driver Assembly	1	34	Trigger Plunging Plate	1	59	Screw Bolt	1	80	Spring Roller	1
16	O-Ring	1	35	Trigger Body	1	60	Washer	1	81	Coil Spring	1
17	Drive Piston	1	36	Screw Bolt	1	61	Air-Inlet End Cap	1	82	Pin	1
18	Drive Blade	1	37	Washer	2	62	End-Cap Gasket	1	83	Compression Spring	1
19	Seal, Air	1	38	Bushing	1	63	Screw Bolt	1	84	Screw Bolt	1
20	O-Ring	1	39	Nylon Nut	1	64	Screw Bolt	1	85	Seal Air	1
21	Cylinder	1	41	Compression Spring	1	65	Feeder Stopper Sleeve	1	86	Washer	1