



BOSCH

High Pressure Cleaner

AQT 33-11 | 3 600 HA7 680

Table of Content

Spare parts list.....	2
Illustration - Type.....	3

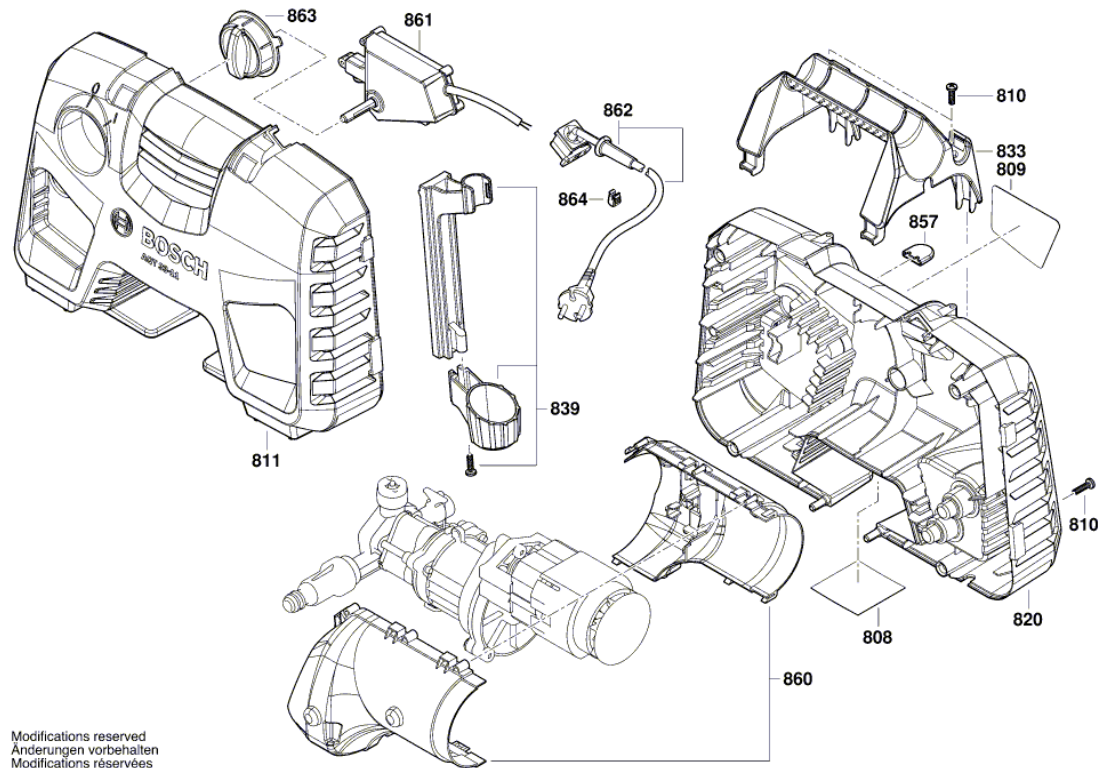
Spare parts list

Item	Part Number	Description		
808	F 016 F05 078	Nameplate		
809	F 016 F04 811	Warning Label		
810	F 016 F04 810	Torx SH cap screw		
811	F 016 F04 791	front cover		
820	F 016 F04 792	Cover		
833	F 016 F04 793	Carrying Handle		
839	F 016 F04 807	Holder		
857	F 016 F04 681	Clip		
860	F 016 F04 806	Motor cover		
861	F 016 F04 797	Switch Box		
862	F 016 F05 134	Power supply cord		
863	F 016 F04 805	Switch Actuator		
864	F 016 F05 432	Clip		
801	F 016 F04 804	Motor		
843	F 016 F05 402	O-Ring		
850	F 016 F04 459	O-Ring		
851	F 016 F04 801	Pump head		
852	F 016 F04 799	Piston Guide		
853	F 016 F04 798	Pump unit		
854	F 016 F04 803	Thrust Bearing		
855	F 016 F04 802	Gear Box		
856	F 016 F04 809	Non-Return Valve		
888	F 016 F05 661	Water filter		
870	F 016 F04 458	Seal Kit	2 x (5.3 x 1.6), 2 x (8x2), 2 x (7.x1.6)	
871	F 016 F04 796	Trigger		
872	F 016 F05 135	Lance		
873	F 016 F05 554	Fixed fan jet nozzle	20°	WHITE
874	F 016 F05 401	Wide Angle Nozzle	WHITE	
879	F 016 F05 036	Bottle	450ml	
880	F 016 F05 555	Nozzle		
881	F 016 F04 795	Retaining clip		
883	F 016 F04 583	High-Pressure Hose	3 m	
884	F 016 F05 492	Hose Coupling		

Illustration - Type - E

3 600 HA7 640
 Stand | 18-61
 Issue | 19-07-25

Fig. /Abb. 1

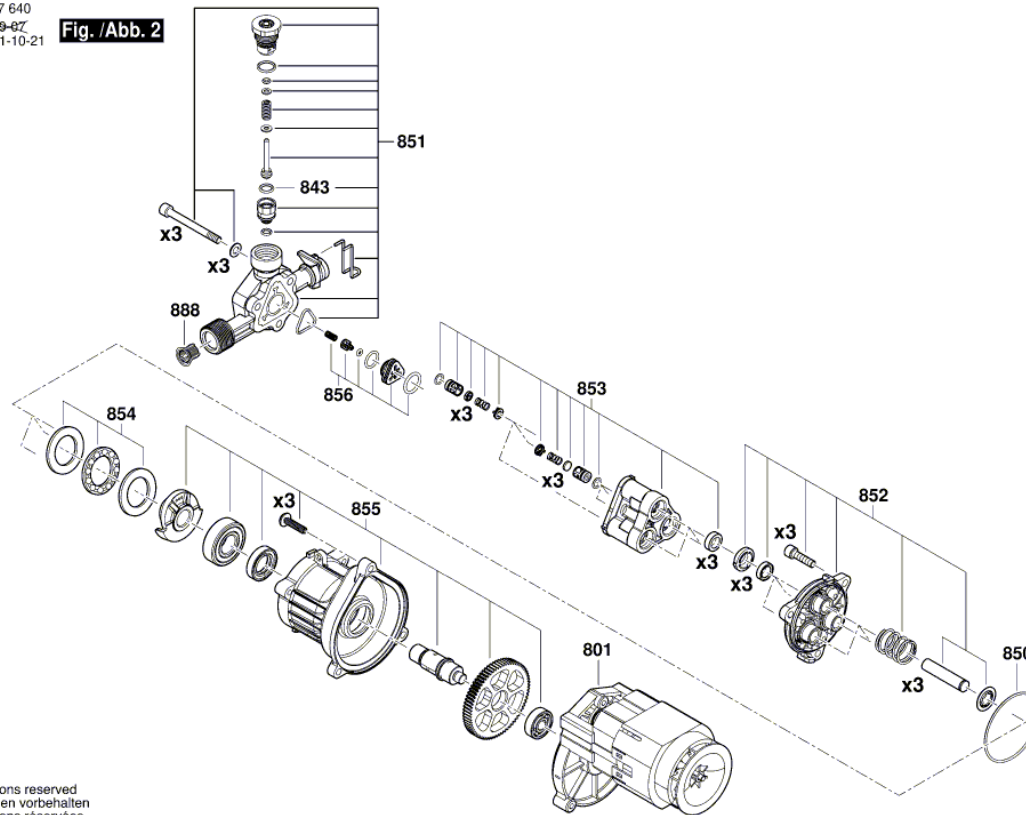


Modifications reserved
 Änderungen vorbehalten
 Modifications réservées
 Salvo modificaciones

Illustration - Type - E

3 600 HA7 640
Stand | 19-07
Issue | 21-10-21

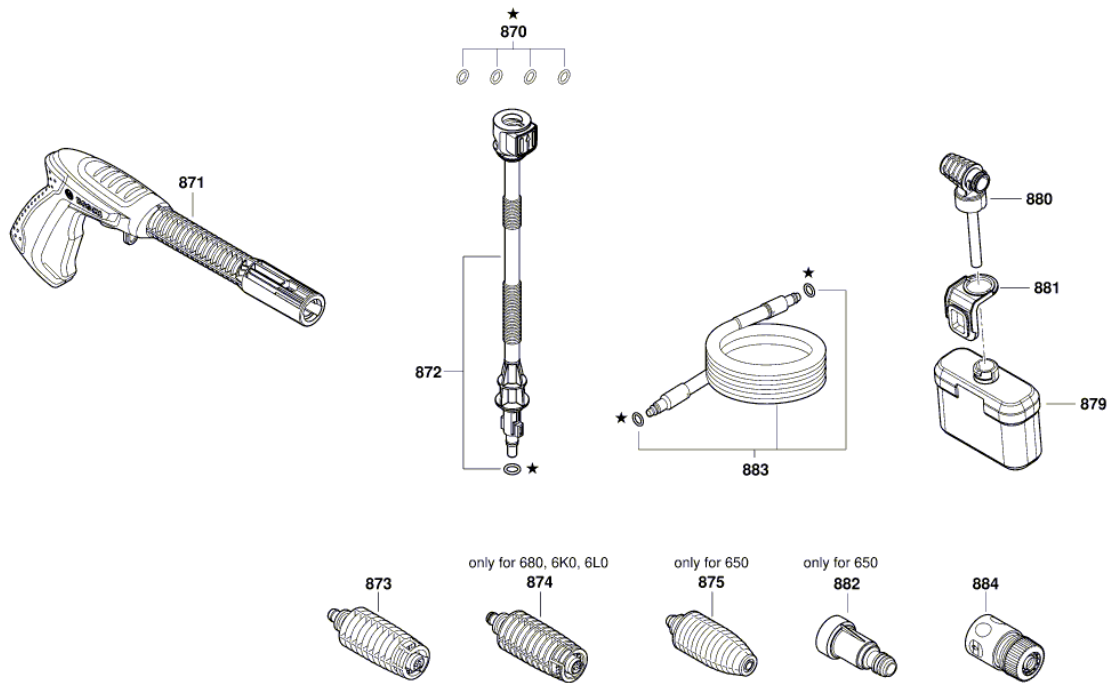
Fig. /Abb. 2



Modifications reserved
Änderungen vorbehalten
Modifications réservées
Salvo modificaciones

Illustration - Type - E

3 600 HA7 640
 Stand | 28-82
 Issue | 23-07-03 **Fig. /Abb. 3**



Modifications reserved
 Änderungen vorbehalten
 Modifications réservées
 Salvo modificaciones