



BOSCH

High Pressure Cleaner

AQUATAK 1200 PLUS | 3 600 H76 F80

Table of Content

Spare parts list.....	2
Illustration - Type.....	4

Spare parts list

Item	Part Number	Description	Unit
1/10	F 016 F02 917	Ball Bearing	
1/1	F 016 F03 624	Control Head	
1/110	F 016 F02 905	Strainer	
1/13	F 016 F04 008	Motor	
1/16/9	F 016 F03 387	Handle	
1/17	F 016 F03 388	Parts Set	
1/18	F 016 F03 390	Sealing cap	
1/2	F 016 F03 324	Seal	
1/3	F 016 F03 325	Cylinder Head	
1/3/103	F 016 F03 371	Screw	M6x50
1/4	F 016 F03 372	Holding Fixture	
1/4/102	F 016 F03 022	Screw	M5x20
1/4/57	F 016 F02 901	O-Ring	
1/6	F 016 F02 913	Valve	
1/7	F 016 F02 914	Housing	
1/7/73	F 016 F02 899	O-Ring	63,17x2,62 MM
1/7/98	F 016 F03 332	O-Ring	9,0x1,5 MM
1/8	F 016 F03 389	Switch	
1/8/119	F 016 F03 334	Screw	
1/8/17	F 016 F03 373	Switch	
1/8/19	F 016 F03 335	Screw	
1/8/22	F 016 F03 337	Housing	
1/8/27	F 016 F03 376	O-Ring	19,0x2,0 MM
1/8/28	F 016 F03 336	Screw	
1/8/31	F 016 F03 377	Suppression Capacitor	
1/9	F 016 F03 380	Housing	
1/9/10	F 016 F03 035	Clamping Piece	
1/9/1	F 016 F03 378	Spacer	
1/9/11	F 016 F03 034	Screw	4,8x16 ZINC
1/9/12	F 016 F03 038	Spacer	
1/9/13	F 016 F03 383	Sealing cap	
1/9/14	F 016 F03 343	Screw	
1/9/15	F 016 F03 384	Housing	
1/9/2	F 016 F03 379	Screw	
1/9/6	F 016 F03 042	Screw	M8x35

Spare parts list

Item	Part Number	Description			II
1/97	F 016 F03 359	Threaded Connection			
1/9/8	F 016 F03 381	Wheel			
2/1	F 016 F03 370	Handle			
2/1/2	F 016 F03 633	O-Ring	9,92x2,62 MM	BLUE	
2/1/3	F 016 F03 634	O-Ring	10,0x2,0 MM	BLACK	
2/5	F 016 F02 928	Container			
2/6	F 016 F03 391	Jet Pipe			
2/8	F 016 F03 363	Nozzle			

Illustration - Type - E

3 600 H76 F02
 Stand } 09-03-18
 Issue } **Fig./Abb. 1**

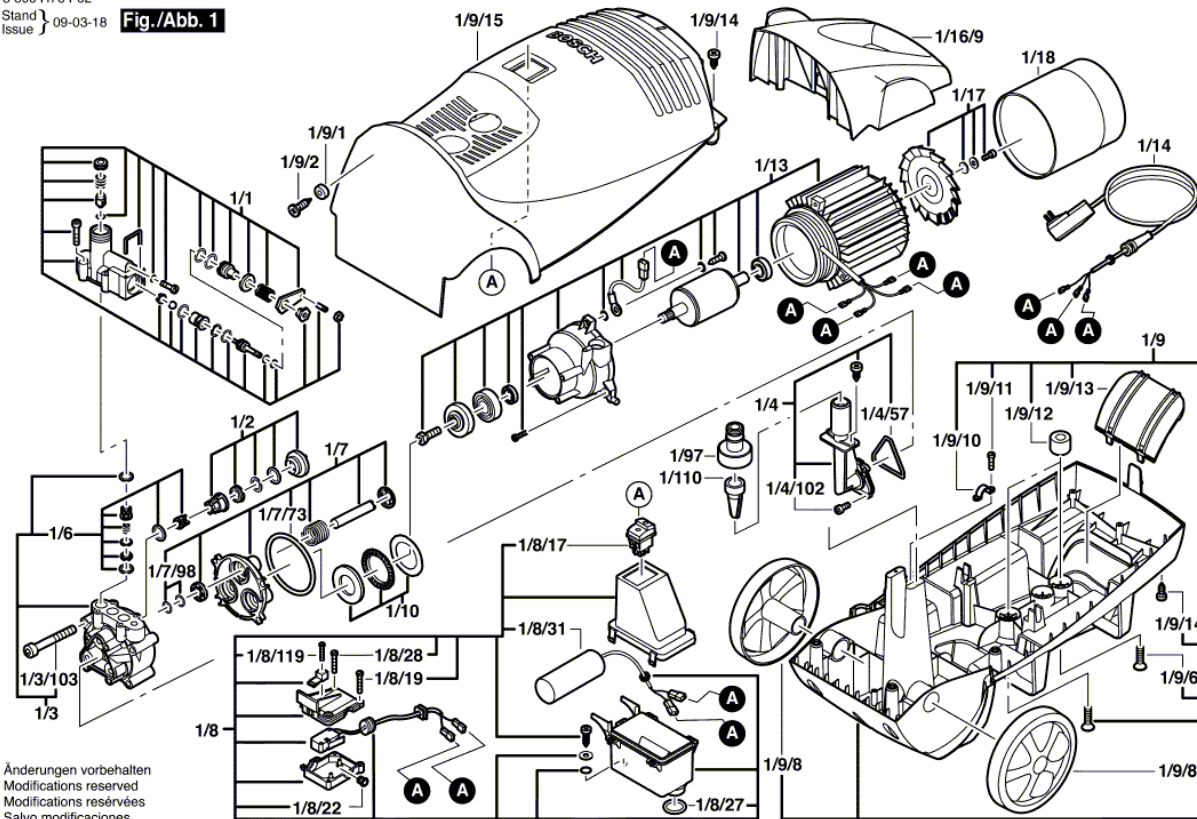
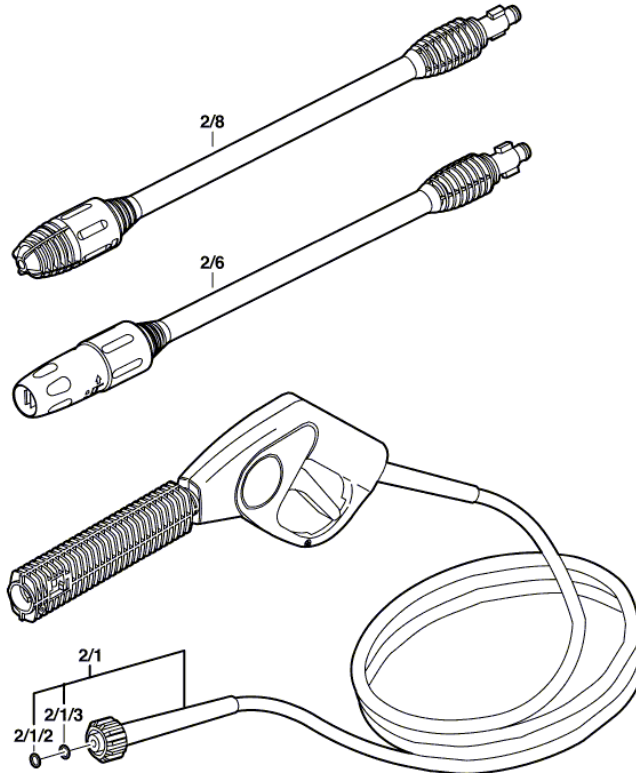
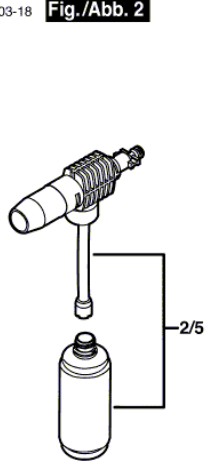


Illustration - Type - E

3 600 H76 F02
Stand } 09-03-18
Issue } **Fig./Abb. 2**



Änderungen vorbehalten
Modifications reserved
Modifications réservées
Salvo modificaciones