



BOSCH

High Pressure Cleaner

AQUATAK 150 PRO | 3 600 H77 A80

Table of Content

Spare parts list.....	2
Illustration - Type.....	4

High Pressure Cleaner | AQUATAK 150 PRO | 3 600 H77 A80

Spare parts list

Item	Part Number	Description
1/10	F 016 F03 562	Parts Set
1/1/1	F 016 F03 499	Cover
1/1/2	F 016 F03 500	Housing
1/14/1	F 016 F03 511	Housing
1/14/12	F 016 F03 035	Clamping Piece
1/14/1/6	F 016 F03 343	Screw
1/14/2	F 016 F03 567	Housing
1/14/2/30	F 016 F03 517	Screw
1/14/32	F 016 F03 034	Screw 4;8x16 ZINC
1/14/4	F 016 F03 513	Washer
1/14/5	F 016 F03 568	Cover
1/14/7	F 016 F03 512	Screw
1/15	F 016 F03 571	Container
1/16	F 016 F03 520	Wheel
1/18	F 016 F03 569	Clamping Piece
1/24/1	F 016 F03 501	Housing
1/24/2	F 016 F03 570	Knob
1/24/3	F 016 F03 502	Adjustment Knob
1/10/103	F 016 F03 026	Screw 3,9x16
1/10/104	F 016 F03 101	Suppression Capacitor
1/10/105	F 016 F03 024	O-Ring 37,82x1,78
1/10/106	F 016 F03 337	Housing
1/11	F 016 F03 076	Parts Set
1/13	F 016 F03 477	Motor
1/13/112	F 016 F03 009	Screw M6x20
1/19	F 016 F03 563	Parts Set
1/19/107	F 016 F03 020	Switch 20A
1/19/75	F 016 F03 457	Seal
1/20	F 016 F03 476	Cover
1/9	F 016 F03 017	Ball Bearing
1/17	F 016 F03 054	Valve
1/2	F 016 F03 430	Control Head
1/21	F 016 F03 441	Inlet Connector
1/2/12	F 016 F03 482	Washer
1/2/13	F 016 F03 483	O-Ring 8,73x1,78 MM

Spare parts list

Item	Part Number	Description
1/2/15	F 016 F03 484	O-Ring
1/2/16	F 016 F03 485	Washer
1/2/25	F 016 F03 486	O-Ring 12,42x1,78 MM
1/2/26	F 016 F03 487	O-Ring 14,0x1,78 MM
1/2/3	F 016 F03 433	Screw
1/2/34	F 016 F03 432	Pressure gauge
1/2/65	F 016 F03 431	O-Ring
1/5	F 016 F03 011	Valve
1/6	F 016 F03 435	Cylinder Head
1/6/1	F 016 F03 436	Screw
1/6/49	F 016 F03 437	O-Ring
1/6/61	F 016 F03 438	O-Ring 14x22x6 schwarz
1/7	F 016 F03 014	Threaded Connection
1/8	F 016 F03 439	Housing
1/8/53	F 016 F03 564	O-Ring
1/8/54	F 016 F03 565	O-Ring
1/8/57	F 016 F03 016	O-Ring 80,60x2,62
1/8/66	F 016 F03 070	Sealing cap
1/8/67	F 016 F03 440	Screw
2/1	F 016 F03 549	Handle
2/11	F 016 F03 543	Hose
2/6	F 016 F03 540	Jet Pipe
2/6/1	F 016 F03 541	O-Ring
2/8	F 016 F03 542	Nozzle

Illustration - Type - E

3 600 H77 A00
 Stand | 11-09-09
 Issue | 11-06-01

Fig./Abb. 1

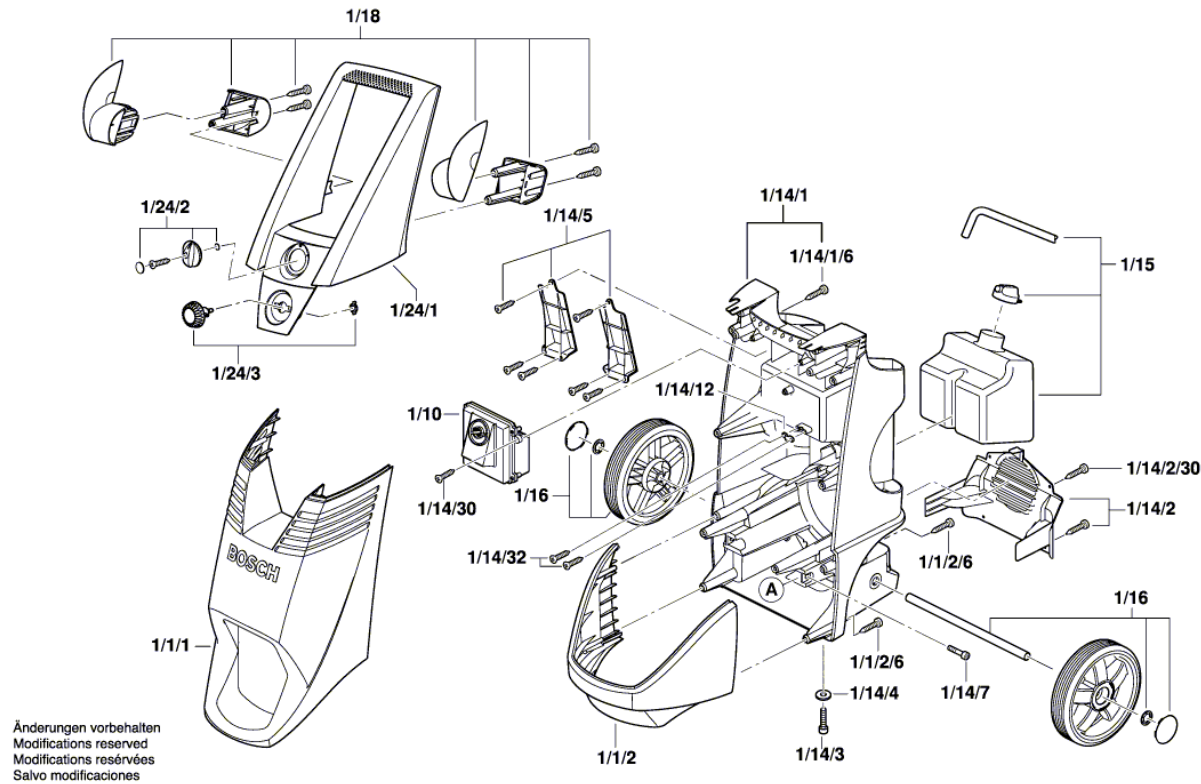
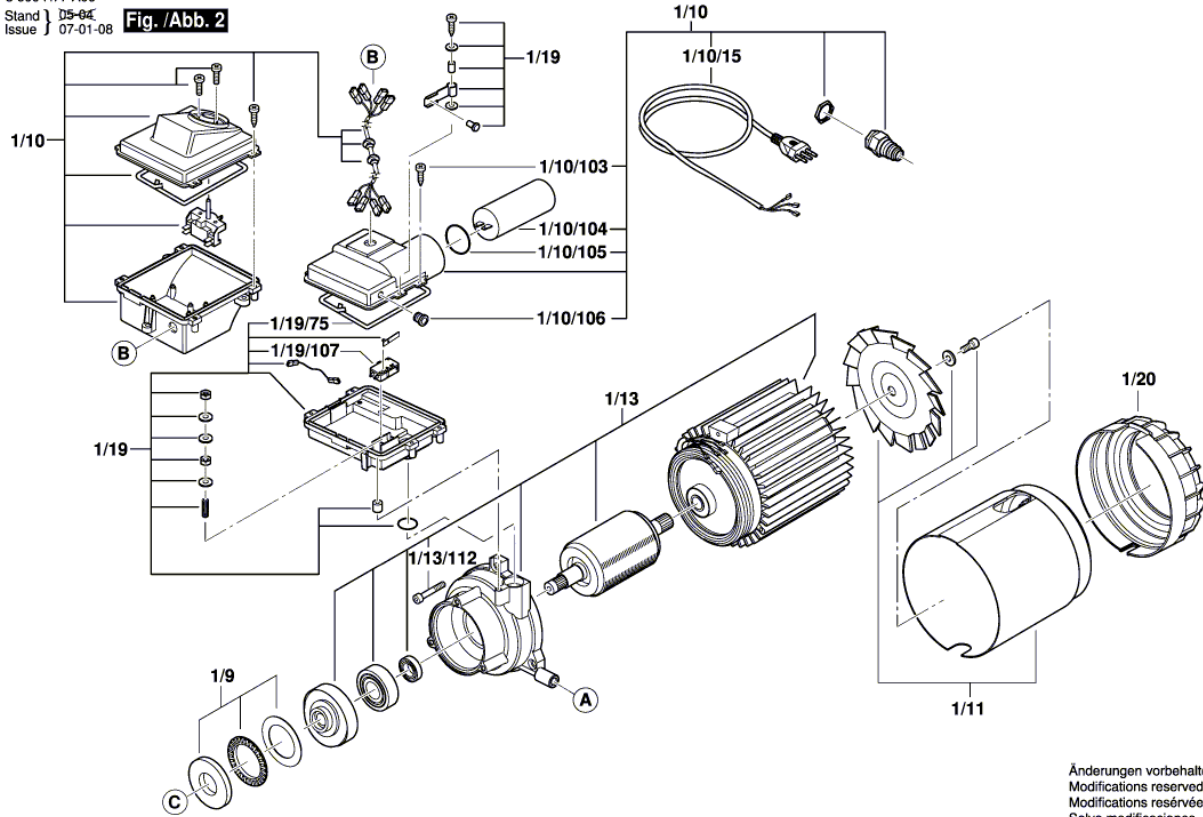


Illustration - Type - E

3 600 H77 A00
Stand } 05-04
Issue } 07-01-08

Fig. /Abb. 2



Änderungen vorbehalten
Modifications reserved
Modifications réservées
Salvo modificaciones

Illustration - Type - E

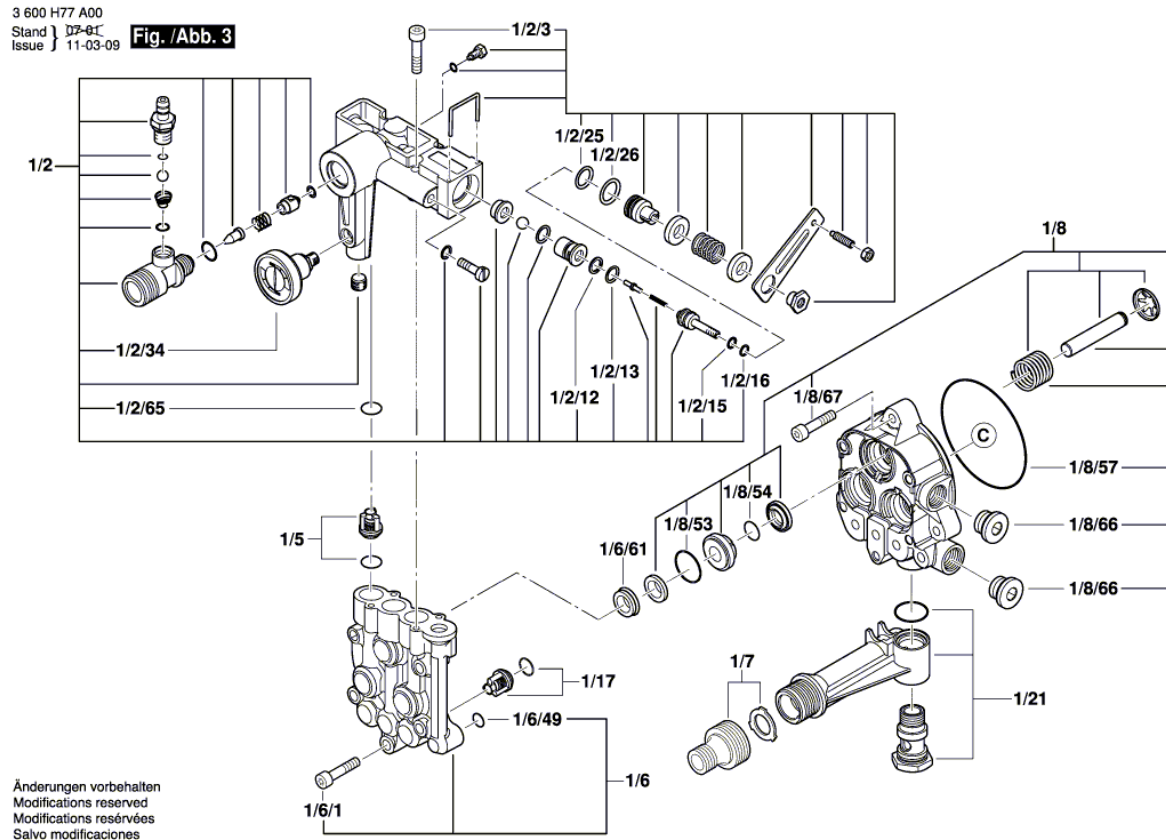
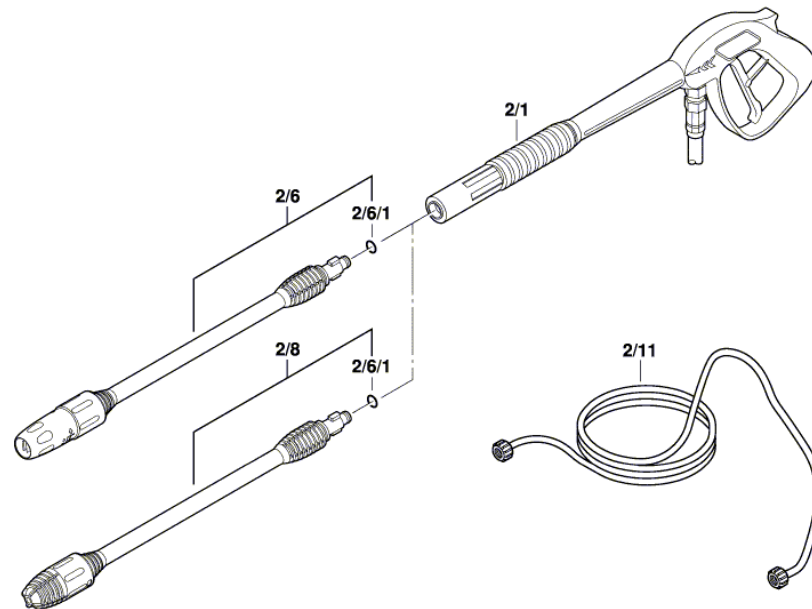


Illustration - Type - E

3 600 H77 A00
Stand } 05-02
Issue } 05-04-04 **Fig. /Abb. 4**



Änderungen vorbehalten
Modifications reserved
Modifications réservées
Salvo modificaciones