



BOSCH

High Pressure Cleaner

AQUATAK GO | 3 600 H76 H80

Table of Content

Spare parts list.....	2
Illustration - Type.....	4

High Pressure Cleaner | AQUATAK GO | 3 600 H76 H80

Spare parts list

Item	Part Number	Description
1/1	F 016 F03 855	Cylinder Head
1/1/16	F 016 F03 900	Screw
1/1/3	F 016 F03 864	Clamping Piece
1/1/4	F 016 F03 865	Nipple
1/1/5	F 016 F03 866	Spacer
1/1/6	F 016 F03 867	O-Ring
1/1/7	F 016 F03 868	Compression Spring
1/1/8	F 016 F03 869	O-Ring
1/1/9	F 016 F03 870	Piston
1/2	F 016 F03 856	Pump Flange
1/2/38	F 016 F03 901	O-Ring
1/3	F 016 F03 857	Connection Cable
1/5	F 016 F03 859	Trolley
1/5/72	F 016 F03 902	Fastening Clamp
1/5/73	F 016 F03 903	Hinge Part
1/6	F 016 F03 861	Fan Housing
1/7	F 016 F03 860	Housing Set
101	F 016 F03 862	Hook
102	F 016 F03 863	Microswitch
124	F 016 F03 871	Bushing
126	F 016 F03 873	O-Ring
127	F 016 F03 872	Oil Drain Plug
129	F 016 F03 874	Suction Pipe
130	F 016 F03 006	Screw 4,2x13
131	F 016 F03 761	O-Ring
132	F 016 F03 875	Washer
133	F 016 F03 876	Bearing
134	F 016 F03 877	Washer
135	F 016 F03 878	Wobble Plate
136	F 016 F03 879	Conversion Gear
137	F 016 F03 880	Pin
140	F 016 F03 881	Connecting Flange
144	F 016 F03 882	Cover
147	F 016 F03 883	On-Off Switch
153	F 016 F03 884	Filter

Spare parts list

Item	Part Number	Description
154	F 016 F03 359	Threaded Connection
155	F 016 F03 079	Screw 4x16
156	F 016 F03 022	Screw M5x20
157	F 016 F03 490	Washer
158	F 016 F03 885	Bushing
159	F 016 F03 886	Cover
161	F 016 F03 887	O-Ring
162	F 016 F03 888	mat seal
171	F 016 F03 768	Screw
176	F 016 F03 889	Roller
2/1	2 609 003 235	spray gun
2/10	F 016 F03 893	Foam Spray Device
2/10/4	F 016 F03 541	O-Ring
2/1/2	F 016 F03 914	Clip
2/3	2 609 003 236	High-Pressure Hose
2/3/2	F 016 F03 509	O-Ring
2/8	F 016 F03 892	Jet Pipe

Illustration - Type - E

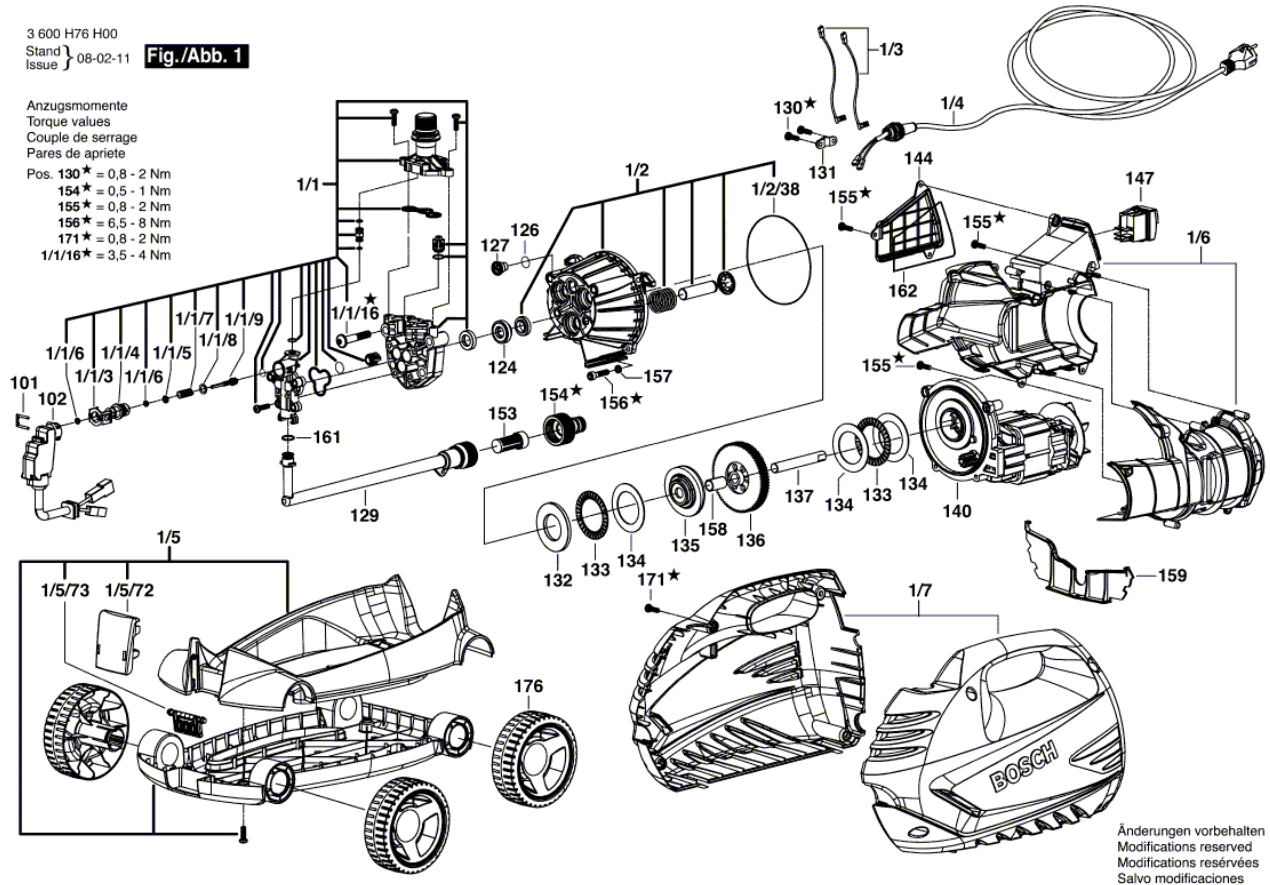
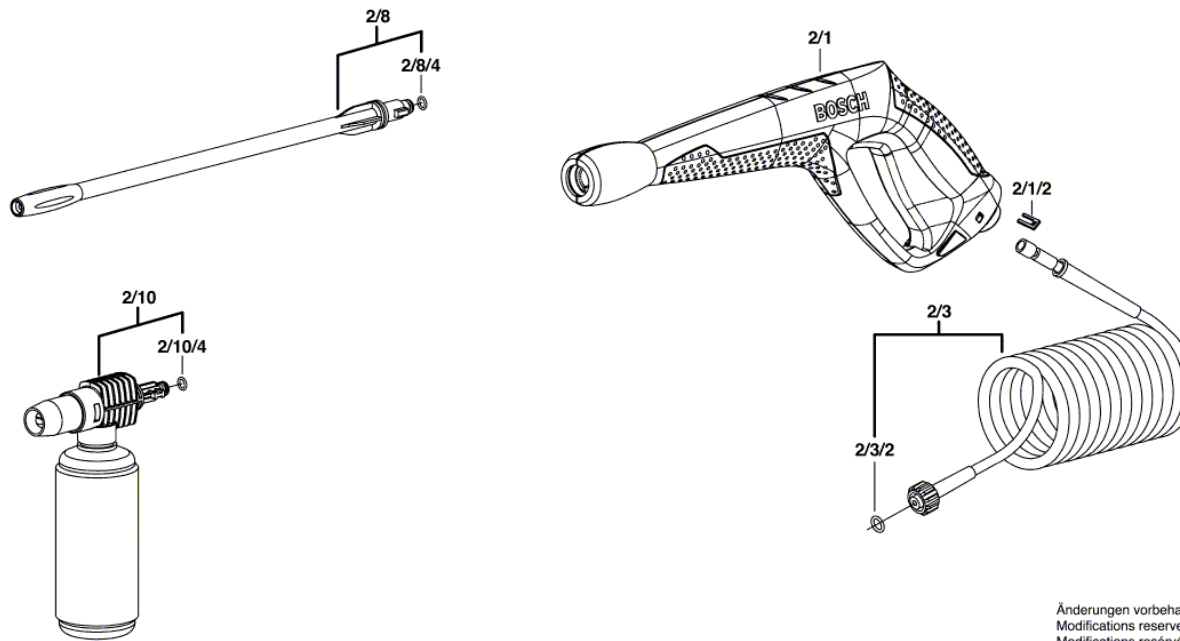


Illustration - Type - E

3 600 H76 H00
Stand | 08-8Z
Issue | 08-06-06 **Fig./Abb. 2**



Änderungen vorbehalten
Modifications reserved
Modifications réservées
Salvo modificaciones