



**BOSCH**

# Battery Pack

BA 3.7V | 1 607 A35 0N9

---

## Table of Content

Spare parts list.....	2
Illustration - Type.....	3

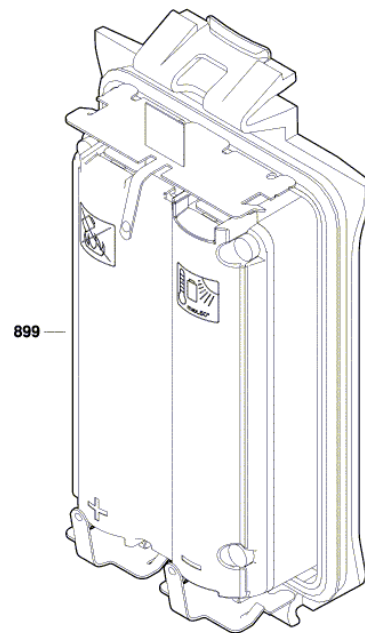
**Spare parts list**

Item	Part Number	Description	Illustration	Price	Quantity	Price Group
899	1 607 A35 0N9	Battery Pack USA	1	-	1	

\* Prices shown are suggested retail prices

Illustration - Type - E

1 607 A35 0N8  
Issue | 21-02-02  
Stand | **Fig. /Abb. 1**



Modifications reserved  
Änderungen vorbehalten  
Modifications réservées  
Salvo modificaciones