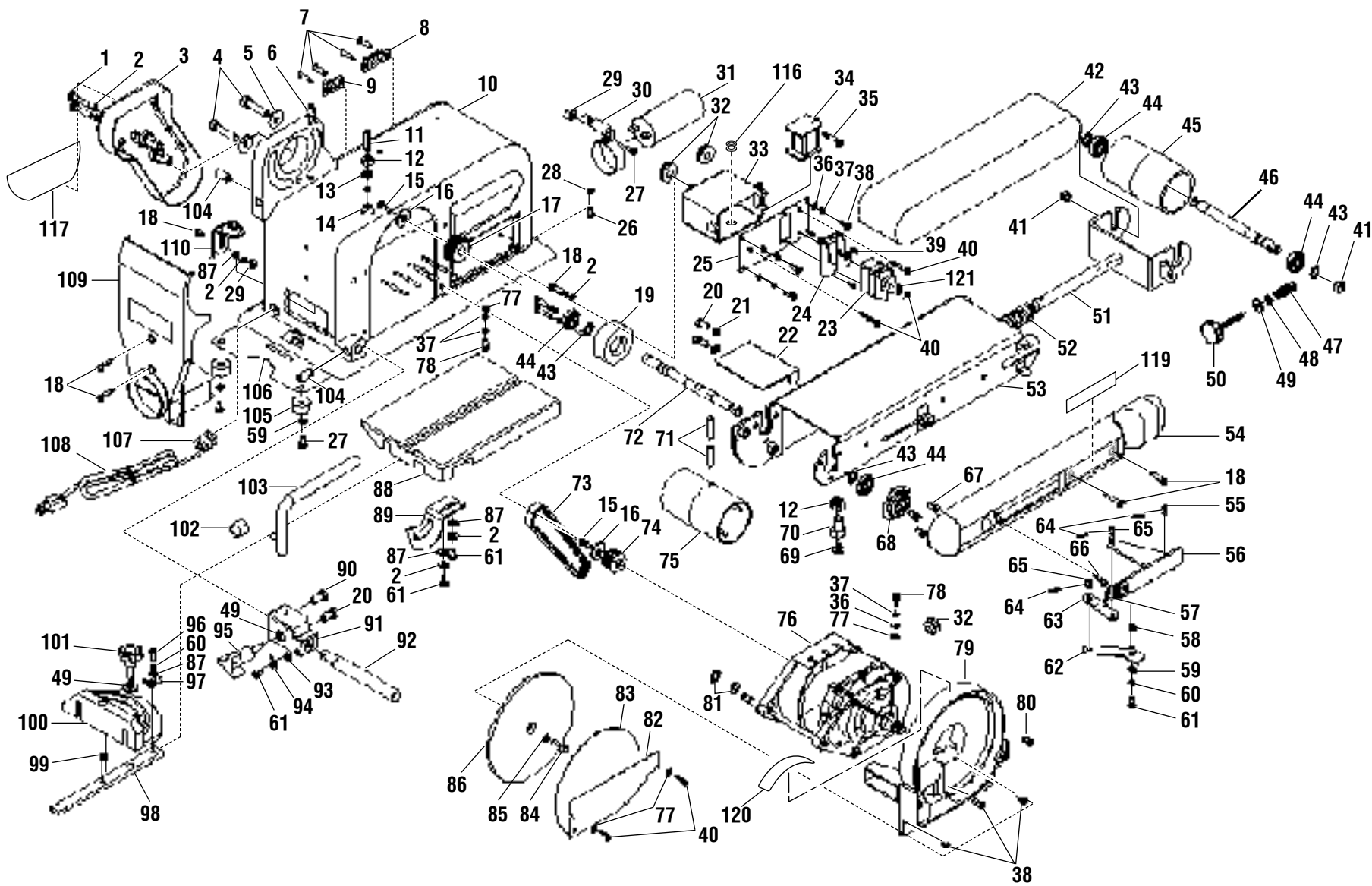


RYOBI BELT AND DISC SANDER - MODEL NUMBER BD4600



## RYOBI BELT AND DISC SANDER – MODEL NUMBER BD4600

The model number will be found on a label attached to the motor housing. Always mention the model number in all correspondence regarding your **Belt and Disc Sander** or when ordering repair parts.

### PARTS LIST

| KEY NO. | PART NUMBER | DESCRIPTION                        | QTY. | KEY NO. | PART NUMBER | DESCRIPTION                     | QTY. |
|---------|-------------|------------------------------------|------|---------|-------------|---------------------------------|------|
| 1       | BD46001     | PHILLIPS SCREW (M5 x 30 mm) .....  | 2    | 31      | BD46011     | CAPACITOR .....                 | 1    |
| 2       | BD46040     | LOCK WASHER.....                   | 8    | 32      | BD46083     | WIRE BUSHING.....               | 3    |
| 3       | BD46002     | DRIVE BELT COVER.....              | 1    | 33      | BD46018     | WIRE CONNECTION BOX.....        | 1    |
| 4       | BD46003     | SCREW (M8 x 35 mm).....            | 2    | 34      | BD46016     | START RELAY .....               | 1    |
| 5       | BD46004     | WASHER.....                        | 2    | 35      | BD46017     | SCREW (4.2 x 30 mm).....        | 1    |
| 6       | BD46080     | SCREW (M6 x 16 mm).....            | 1    | 36      | BD46062     | FLAT WASHER .....               | 5    |
| 7       | BD46081     | SCREW (M5 x 10 mm).....            | 4    | 37      | BD46019     | LOCK WASHER.....                | 7    |
| 8       | BD46049     | MITER GAGE HOLDER .....            | 1    | 38      | BD46020     | SCREW (M4 x 10 mm).....         | 7    |
| 9       | BD46082     | WRENCH HOLDER .....                | 1    | 39      | BD46106     | SCREW (M3 x 4 mm).....          | 2    |
| 10      | BD46010     | MOTOR HOUSING .....                | 1    | 40      | BD46022     | SCREW (4.2 x 10 mm).....        | 5    |
| 11      | BD46006     | SCREW (M12 x 30 mm).....           | 1    | 41      | BD46028     | BUSHING .....                   | 2    |
| 12      | BD46105     | HEX NUT .....                      | 2    | 42      | BD46024     | SANDING BELT .....              | 1    |
| 13      | BD46008     | LOCK WASHER.....                   | 1    | 43      | BD46027     | RETAINING RING .....            | 4    |
| 14      | BD46009     | SCREW SLEEVE.....                  | 1    | 44      | BD46025     | BEARING .....                   | 4    |
| 15      | BD46077     | SCREW, LEFT HAND (M5 x 12 mm)..... | 2    | 45      | BD46026     | SANDING BELT IDLER ROLLER ..... | 1    |
| 16      | BD46084     | WASHER.....                        | 2    | 46      | BD46029     | SANDING BELT IDLER SHAFT.....   | 1    |
| 17      | BD46015     | IDLER PULLEY .....                 | 1    | 47      | BD46030     | ADJUSTING SPRING .....          | 1    |
| 18      | BD46060     | SCREW (M5 x 20 mm).....            | 8    | 48      | BD46031     | RUBBER PAD .....                | 1    |
| 19      | BD46059     | BEARING HOUSING .....              | 1    | 49      | BD46097     | WASHER.....                     | 3    |
| 20      | BD46056     | SCREW (M8 x 16 mm).....            | 3    | 50      | BD46033     | BELT TRACKING KNOB .....        | 1    |
| 21      | BD46055     | FLAT WASHER .....                  | 2    | 51      | BD46035     | BELT TENSION ASSEMBLY .....     | 1    |
| 22      | BD46054     | WORK REST.....                     | 1    | 52      | BD46036     | BELT TENSION SPRING .....       | 1    |
| 23      | BD46125     | SWITCH W/KEY .....                 | 1    | 53      | BD46037     | BELT FRAME .....                | 1    |
| 24      | BD46107     | SWITCH GUARD .....                 | 1    | 54      | BD46038     | FRAME COVER .....               | 1    |
| 25      | BD46021     | SWITCH BOARD .....                 | 1    | 55      | BD46034     | PIN (M5 x 10 mm).....           | 1    |
| 26      | BD46014     | SCREW (M6 x 8 mm).....             | 1    | 56      | BD46041     | BELT TENSION LEVER.....         | 1    |
| 27      | BD46032     | SCREW (M5 x 12 mm).....            | 5    | 57      | BD46110     | SPRING .....                    | 1    |
| 28      | BD46013     | LOCK WASHER.....                   | 1    | 58      | BD46042     | SCREW SLEEVE.....               | 1    |
| 29      | BD46039     | HEX NUT .....                      | 2    | 59      | BD46065     | FLAT WASHER .....               | 5    |
| 30      | BD46012     | CAPACITOR SUPPORT.....             | 1    | 60      | BD46079     | TOOTHED LOCK WASHER.....        | 2    |

**WARNING:** Improper repair of a double insulated tool can result in damage to the double insulation system possibly causing electrical shock or electrocution. Any repairs requiring disassembly of your tool requires safety testing and should only be performed by a Ryobi Authorized Service Center. For the service center nearest you call 1-800-525-2579.

## RYOBI BELT AND DISC SANDER – MODEL NUMBER BD4600

The model number will be found on a label attached to the motor housing. Always mention the model number in all correspondence regarding your **Belt and Disc Sander** or when ordering repair parts.

### PARTS LIST

| KEY NO. | PART NUMBER | DESCRIPTION                     | QTY. | KEY NO. | PART NUMBER  | DESCRIPTION                                | QTY. |
|---------|-------------|---------------------------------|------|---------|--------------|--|------|
| 61      | BD46066     | SCREW (M5 x 10 mm).....         | 3    | 93      | BD46071      | SPRING WASHER.....                         | 1    |
| 62      | BD46044     | TENSIONING PLATE.....           | 1    | 94      | BD46072      | WORK TABLE ANGLE POINTER.....              | 1    |
| 63      | BD46045     | CONNECTION PLATE.....           | 1    | 95      | BD46070      | WORK TABLE CLAMP KNOB.....                 | 1    |
| 64      | BD46046     | OPEN END PIN (M2 x 10 mm).....  | 3    | 96      | BD46094      | SCREW (M5 x 8 mm).....                     | 1    |
| 65      | BD46043     | PIN (M5 x 8 mm).....            | 2    | 97      | BD46096      | MITER GAGE POINTER.....                    | 1    |
| 66      | BD46108     | SCREW (M5 x 16 mm).....         | 1    | 98      | BD46101      | MITER GAGE BAR.....                        | 1    |
| 67      | BD46047     | SCREW (M5 x 6 mm).....          | 3    | 99      | BD46099      | PIN.....                                   | 1    |
| 68      | BD46048     | BEARING CAP.....                | 1    | 100     | BD46098      | MITER GAGE HOUSING.....                    | 1    |
| 69      | BD46050     | RUBBER PAD.....                 | 1    | 101     | BD46095      | MITER GAGE KNOB.....                       | 1    |
| 70      | BD46051     | BOLT (M12 x 20 mm).....         | 1    | 102     | BD46068      | WORK TABLE RELEASE SLEEVE.....             | 1    |
| 71      | BD46053     | SCREW (M8 x 12 mm).....         | 2    | 103     | BD46067      | WORK TABLE SUPPORT ROD.....                | 1    |
| 72      | BD46057     | SANDING BELT DRIVING SHAFT..... | 1    | 104     | BD46005      | SCREW (M12 x 10 mm).....                   | 2    |
| 73      | BD46075     | COG DRIVE BELT.....             | 1    | 105     | BD46092      | RUBBER FOOT.....                           | 4    |
| 74      | BD46076     | DRIVING PULLEY.....             | 1    | 106     | BD46007      | BOTTOM COVER.....                          | 1    |
| 75      | BD46052     | SANDING BELT DRIVE ROLLER.....  | 1    | 107     | BD46103      | STRAIN RELIEF.....                         | 1    |
| 76      | BD46058     | MOTOR.....                      | 1    | 108     | BD46104      | POWER CORD.....                            | 1    |
| 77      | BD46061     | TOOTHED LOCK WASHER.....        | 4    | 109     | BD46093      | DUST COLLECT COVER.....                    | 1    |
| 78      | BD46100     | SCREW (M4 x 8 mm).....          | 2    | 110     | BD46109      | MOTOR BRACKET ASSEMBLY.....                | 1    |
| 79      | BD46085     | SANDING DISK GUARD.....         | 1    | 111     | BD46111      | LOGO LABEL (NOT SHOWN).....                | 2    |
| 80      | BD46086     | SCREW (M4 x 16 mm).....         | 1    | 112     | BD46112      | MITER GAGE LABEL (NOT SHOWN).....          | 1    |
| 81      | BD46078     | SPACE RING.....                 | 2    | 113     | BD46113      | WARNING LABEL (NOT SHOWN).....             | 1    |
| 82      | BD46088     | DISK COVER.....                 | 1    | 114     | BD46114      | DATA PLATE (NOT SHOWN).....                | 1    |
| 83      | BD46102     | SANDPAPER DISK.....             | 1    | 115     | 976605001    | HEX WRENCH (6 mm HEX KEY) (NOT SHOWN)..... | 1    |
| 84      | BD46089     | SCREW (M6 x 16 mm).....         | 1    | 116     | 080900062521 | RUBBER GROMMET.....                        | 1    |
| 85      | BD46090     | LOCK WASHER.....                | 1    | 117     | BD46118      | LABEL, BELT POSITION.....                  | 1    |
| 86      | BD46091     | SANDING DISK.....               | 1    | 118     | 080900062520 | CABLE TIE (NOT SHOWN).....                 | 2    |
| 87      | BD46087     | WASHER.....                     | 4    | 119     | 080900062901 | DIRECTIONAL LABEL.....                     | 1    |
| 88      | BD46063     | WORK TABLE.....                 | 1    | 120     | 080900062902 | DISC DIRECTIONAL LABEL.....                | 1    |
| 89      | BD46064     | WORK TABLE SUPPORT PLATE.....   | 1    | 121     | 080900062530 | SWITCH KEY.....                            | 1    |
| 90      | BD46069     | SCREW (M8 x 16 mm).....         | 1    |         | 983000017    | OPERATOR'S MANUAL.....                     | 1    |
| 91      | BD46074     | WORK TABLE MOUNTING BLOCK.....  | 1    |         | 5-26-11      |  |      |
| 92      | BD46073     | WORK TABLE MOUNTING ROD.....    | 1    |         | (REV:05)     |  |      |

**WARNING: Improper repair of a double insulated tool can result in damage to the double insulation system possibly causing electrical shock or electrocution. Any repairs requiring disassembly of your tool requires safety testing and should only be performed by a Ryobi Authorized Service Center. For the service center nearest you call 1-800-525-2579.**