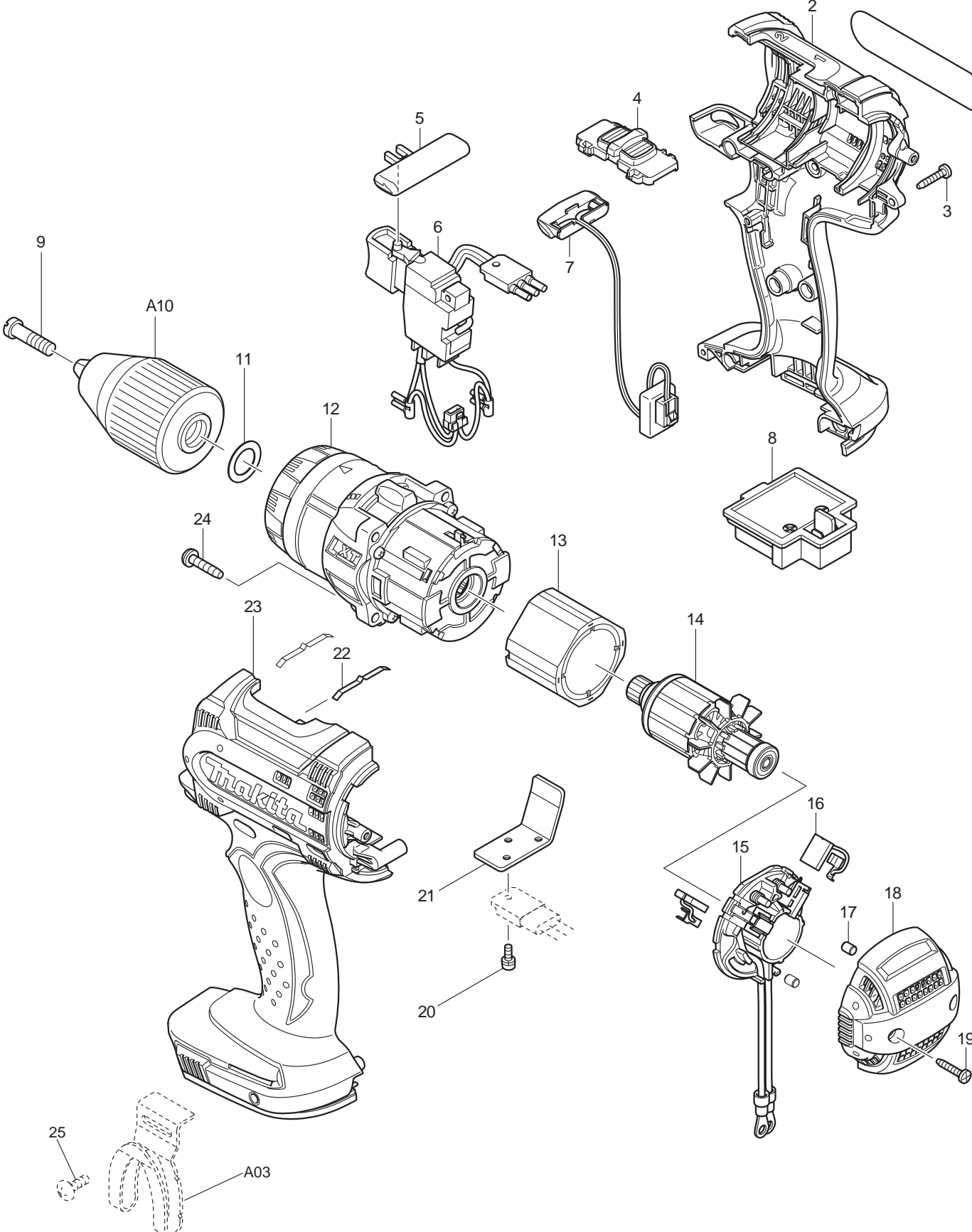




09 - 2011
BDF454 / BDF454Z / BDF454F
18V 1/2" CORDLESS DRIVER DRILL



| Item No | Type | Ref | Part No | Description | Qty | Unit |
|---------|------|------|----------|---|-----|------|
| 2 | 1 | | 188525-5 | * HOUSING SET (TYPE 1-2) | 1 | SET |
| | 3 | | 187356-9 | * HOUSING SET (TYPE 3) | 1 | SET |
| 3 | | | 266130-9 | TAPPING SCREW BIND PT 3X16 | 8 | PC. |
| 4 | | | 125488-4 | SPEED CHANGE LEVER ASSEMBLY | 1 | PC. |
| | | INC. | 233438-6 | COMPRESSION SPRING 4 | 2 | PC. |
| 5 | | | 419250-0 | F/R CHANGE LEVER | 1 | PC. |
| 6 | 1 | | 650573-9 | * SWITCH TG553FSB-4 (TYPE 1-2) | 1 | PC. |
| | 3 | | 650693-9 | * SWITCH TG553FSB-4 (TYPE 3) | 1 | PC. |
| 7 | | | 631692-0 | LIGHT CIRCUIT | 1 | PC. |
| 8 | 1 | | 643812-4 | * TERMINAL, BLACK | 1 | PC. |
| | 2 | | 643838-6 | * TERMINAL | 1 | PC. |
| | 3 | | 643859-8 | * TERMINAL | 1 | PC. |
| 9 | | | 251468-5 | - FLAT HEAD SCREW M6X22 | 1 | PC. |
| 11 | | | 253798-0 | FLAT WASHER 13 | 1 | PC. |
| 12 | 3 | | 125575-9 | GEAR ASSEMBLY | 1 | PC. |
| 13 | | | 638613-3 | YOKE UNIT | 1 | PC. |
| 14 | | | 619230-8 | ARMATURE | 1 | PC. |
| 15 | | | 638614-1 | BRUSH HOLDER COMPLETE | 1 | PC. |
| 16 | 1 | | 194427-5 | CARBON BRUSH CB-440 2PC/SET W/O ORIGIN | 1 | SET |
| | 2 | | 195021-6 | CARBON BRUSH CB-440 2PC/SET, W/ ORIGIN | 1 | SET |
| 17 | | | 263032-0 | RUBBER PIN 4 | 2 | PC. |
| 18 | | | 450644-0 | REAR COVER | 1 | PC. |
| 19 | | | 266130-9 | TAPPING SCREW BIND PT 3X16 | 2 | PC. |
| 20 | | | 911006-2 | PAN HEAD SCREW M3X8 | 1 | PC. |
| 21 | | | 689150-0 | HEAT SINK | 1 | PC. |
| 22 | | | 232220-0 | LEAF SPRING | 2 | PC. |
| 24 | | | 266045-0 | TAPPING SCREW 4X20 | 4 | PC. |
| 25 | | | 251314-2 | + SCREW M4X12(FOR HOOK) | 1 | PC. |
| 26 | | | 652045-0 | + P.H.SCREW M3.5X5 (ENDBELL) (F/SWITCH) | 2 | PC. |

ACCESSORIES

- See catalogue or visit www.makita.ca for more accessories information -

| | | | | | | |
|-----|---|------|-----------|--------------------------------------|---|-----|
| A01 | | | 194205-3 | 18V LI-ION BATTERY BL1830 | 2 | PC. |
| | | | 194230-4 | 18V LI-ION BATTERY BL1830, 2/PK | 1 | PK |
| A02 | | | DC18RA | CHARGER DC18RA | 1 | PC. |
| | | | DC18SD | CHARGER DC18SD | 1 | PC. |
| | | | DC18SE | 12V AUTOMOTIVE CHARGER DC18SE | 1 | PC. |
| | | | DC18RAKIT | DC18RA+BL1830 SET | 1 | SET |
| | | | DC24SC | CHARGER F/7.2-24V, 1.3-3.0AH BATTERY | 1 | PC. |
| A03 | | | 324705-1 | HOOK F/ BL1430, BL1830 | 1 | PC. |
| A04 | 1 | | 419276-2 | BIT HOLDER | 1 | PC. |
| | 2 | | 452947-8 | BIT HOLDER | 1 | PC. |
| A05 | | | 784637-8 | + - BIT 2-45 | 2 | PC. |
| A06 | | | 122821-1 | GRIP ASSEMBLY | 1 | PC. |
| | | INC. | 154935-8 | GRIP 36 COMPLETE | 1 | PC. |
| | | INC. | 266349-0 | SQUARE BOLT M8X50 | 1 | PC. |
| | | INC. | 345960-2 | GRIP SPRING 55 | 1 | PC. |
| | | INC. | 450651-3 | GRIP BASE | 1 | PC. |
| A07 | | | 450128-8 | BATTERY COVER | 1 | PC. |
| A09 | 1 | | 824754-3 | PLASTIC CARRYING CASE (W/O SPONGE) | 1 | PC. |
| | | INC. | 419216-0 | HANDLE | 1 | PC. |
| | | INC. | 417724-5 | LATCH | 2 | PC. |
| | | INC. | 419268-1A | PLASTIC CASE LID, TAB TYPE | 1 | PC. |
| | | INC. | 419269-9 | PLATE | 5 | PC. |
| | | INC. | 324667-3 | SHAFT | 1 | PC. |
| A09 | 2 | | 140354-4 | PLASTIC CARRYING CASE (W/ SPONGE) | 1 | PC. |
| | | INC. | 419216-0 | HANDLE | 1 | PC. |
| | | INC. | 417724-5 | LATCH | 2 | PC. |
| | | INC. | 419268-1A | PLASTIC CASE LID, TAB TYPE | 1 | PC. |
| | | INC. | 419269-9 | PLATE | 5 | PC. |
| | | INC. | 324667-3 | SHAFT | 1 | PC. |

| Item No | Type | Ref | Part No | Description | Qty | Unit |
|---------|------|------|----------|-----------------------------------|-----|------|
| A09 | Opt | | 824812-5 | PLASTIC CARRYING CASE (BLOW MOLD) | 1 | PC. |
| | | INC. | 163455-1 | METAL LATCH | 1 | PC. |
| A10 | | | 763191-5 | 1/2" KEYLESS DRILL CHUCK | 1 | PC. |
| A11 | | | 195927-8 | TOOL CATCHER SET | 1 | PC. |

SERVICE CHANGES

1. Changes on Switch, Terminal, and Housing Set (Battery Protection Circuit)

(T/I# 84907)

(T/I#94114)

| Item No. | Description | Type 1 | Type 2 | Type 3 |
|----------|-------------|----------|----------|----------|
| 2 | HOUSING SET | | 188525-5 | 187356-9 |
| 6 | SWITCH | | 650573-9 | 650693-9 |
| 8 | TERMINAL | 643812-4 | 643838-6 | 643859-8 |

Above parts are completely interchangeable as a set.

Service Note:

- Use new parts for repair of the model manufactured on or after March 2012 with using Yellow lead wire between Switch and Terminal.
- Use current parts for repair of the model manufactured before March 2012 without using Yellow lead wire between Switch and Terminal.

*** See Technical Information No. 94114 for Wiring changes.**