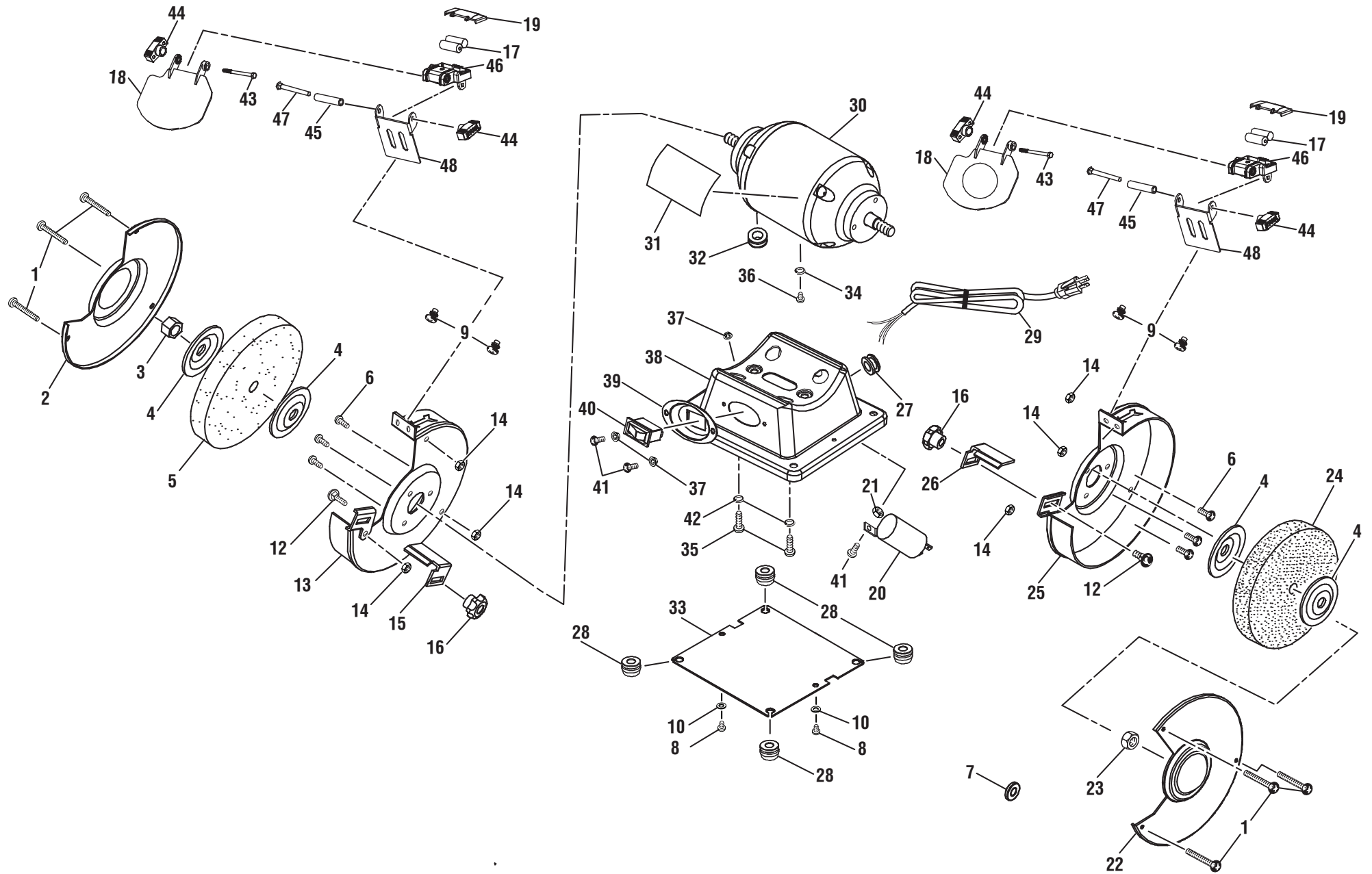


# RYOBI BENCH GRINDER - MODEL NUMBER BG612



## RYOBI BENCH GRINDER – MODEL NUMBER BG612

The model number will be found on a label attached to the motor housing. Always mention the model number in all correspondence regarding your **BENCH GRINDER** or when ordering repair parts.

### PARTS LIST (FIGURE A)

KEY NO.	PART NUMBER	DESCRIPTION	QTY	KEY NO.	PART NUMBER	DESCRIPTION	QTY
1	089055007001	Screw (M5 x 42 mm).....	6	26	089055007005	Work Rest (Right).....	1
2	089055007018	Left Wheel Cover.....	1	27	602201	Cord Clamp.....	1
3	602801	Hex Nut (Left Hand M12).....	1	28	089055007029	Rubber Foot.....	4
4	602904	Wheel Flange.....	4	29	602301	Power Cord.....	1
5	089150100043	Wheel (#36, 150 x 20 x 12.7 mm).....	1	30	089150112702	Motor Assembly.....	1
6	089150114013	Screw (M5 x 10 mm, Pan Hd.).....	6	31	089150114900	Data Label.....	1
7	089055007042	Spacer (Use With Optional Wire Wheel Only).....	1	32	601901	Grommet.....	1
	**	Optional Wire Wheel		33	089150114016	Bottom Cover Base.....	1
8	089055007007	Screw (M5 x 8 mm, Pan Hd.).....	2	34	602601	Lock Washer (D4).....	1
9	089150114001	Screw (M5 x 8 mm, Philips Hd.).....	4	35	089055007028	Screw (M6 x 10 mm, Pan Hd.).....	2
10	600306	Washer (D5).....	2	36	089150114019	Screw (M4 x 8 mm, Pan Hd.).....	1
11	089150114005	Eye Shield.....	1	37	089150112003	Flange Hex Nut (M4).....	3
12	089150114018	Carriage Bolt (M6 x 14 mm).....	2	38	089150112004	Base.....	1
13	089150114011	Wheel Guard (Left).....	1	39	089055007026	Switch Plate.....	1
14	089150112002	Flange Hex Nut (M5).....	6	40	602101	Switch.....	1
15	089055007032	Work Rest (Left).....	1	41	602003	Screw (M4 x 8 mm, Pan Hd.).....	3
16	089055007006	Knob.....	2	42	601104	Lock Washer (D6).....	2
17	**	Batteries (AAA).....	2	43	089150114003	Carriage Bolt (M5 x 55 mm,).....	2
18	089150114009	Magnified Eye Shield.....	1	44	089150114004	Locking Knob.....	4
19	089150114022	Battery Cap.....	2	45	089150114006	Cushion.....	2
20	089150114017	Capacitor.....	1	46	089150114007	Led Light Assembly.....	2
21	089150112003	Hex Nut (M4).....	1	47	089150114008	Bolt (M5 x 55 mm, Hex Hd.).....	2
22	089055007002	Right Wheel Cover.....	1	48	089150114002	Spark Deflector.....	2
23	605001	Hex Nut (M12).....	1			<b>NOT SHOWN:</b>	
24	089150100050	Wheel (#60, 150 x 20 x 12.7 mm).....	1		990000664	Operator's Manual	
25	089150114018	Wheel Guard (Right).....	1		3-12-14		
					(Rev:01)		

**WARNING:** Improper repair of a double insulated tool can result in damage to the double insulation system possibly causing electrical shock or electrocution. Any repairs requiring disassembly of your tool requires safety testing and should only be performed by a Ryobi Authorized Service Center. For the service center nearest you call 1-800-525-2579.

\*\* Maybe be purchased at your nearest catalog order or retail store.