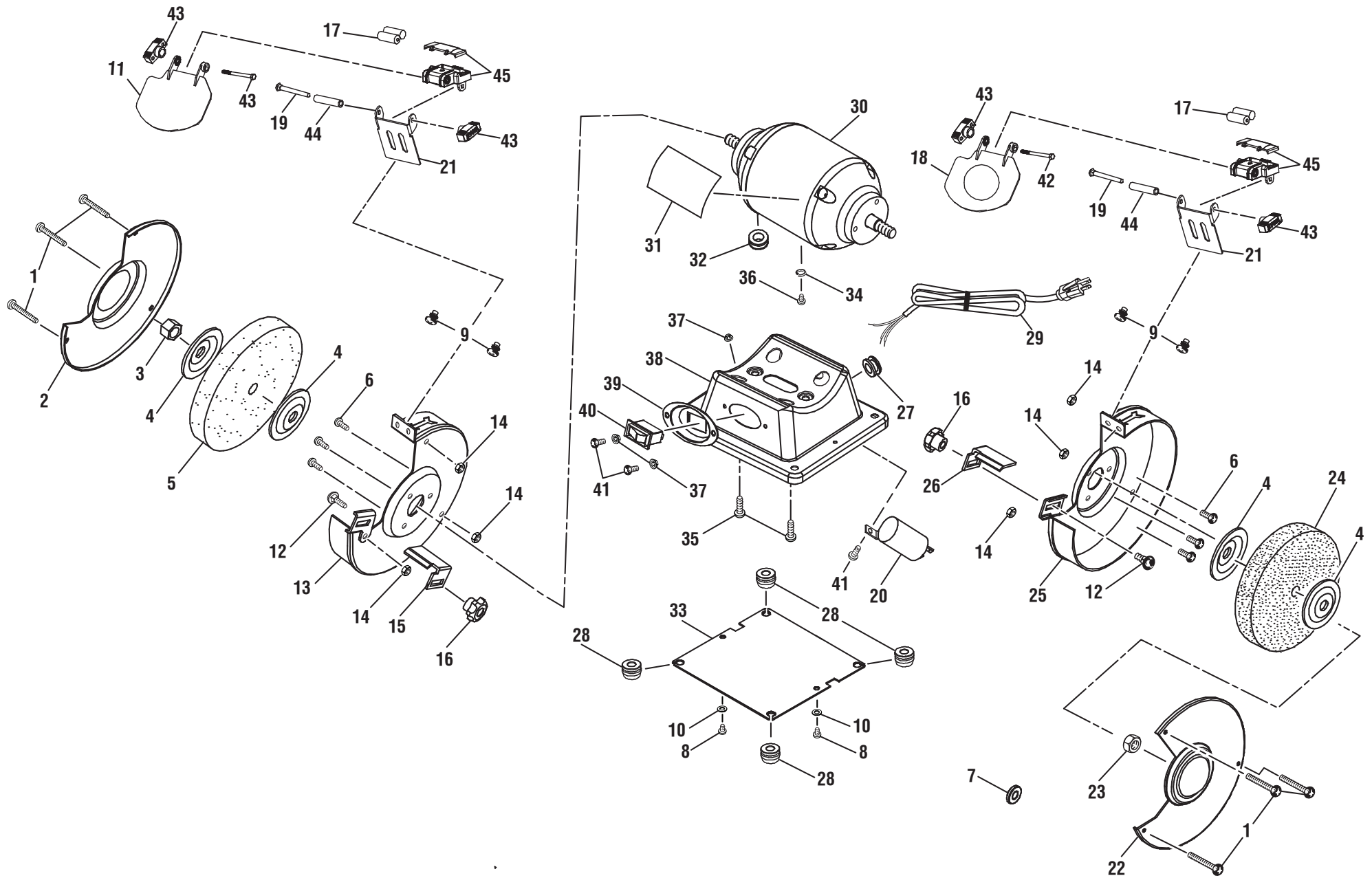


**RYOBI  
BENCH GRINDER  
MODEL NO. BG612G  
REPAIR SHEET**

RYOBI BENCH GRINDER - MODEL NUMBER BG612G



## RYOBI BENCH GRINDER – MODEL NUMBER BG612G

The model number will be found on a label attached to the motor housing. Always mention the model number in all correspondence regarding your **BENCH GRINDER** or when ordering repair parts.

### PARTS LIST

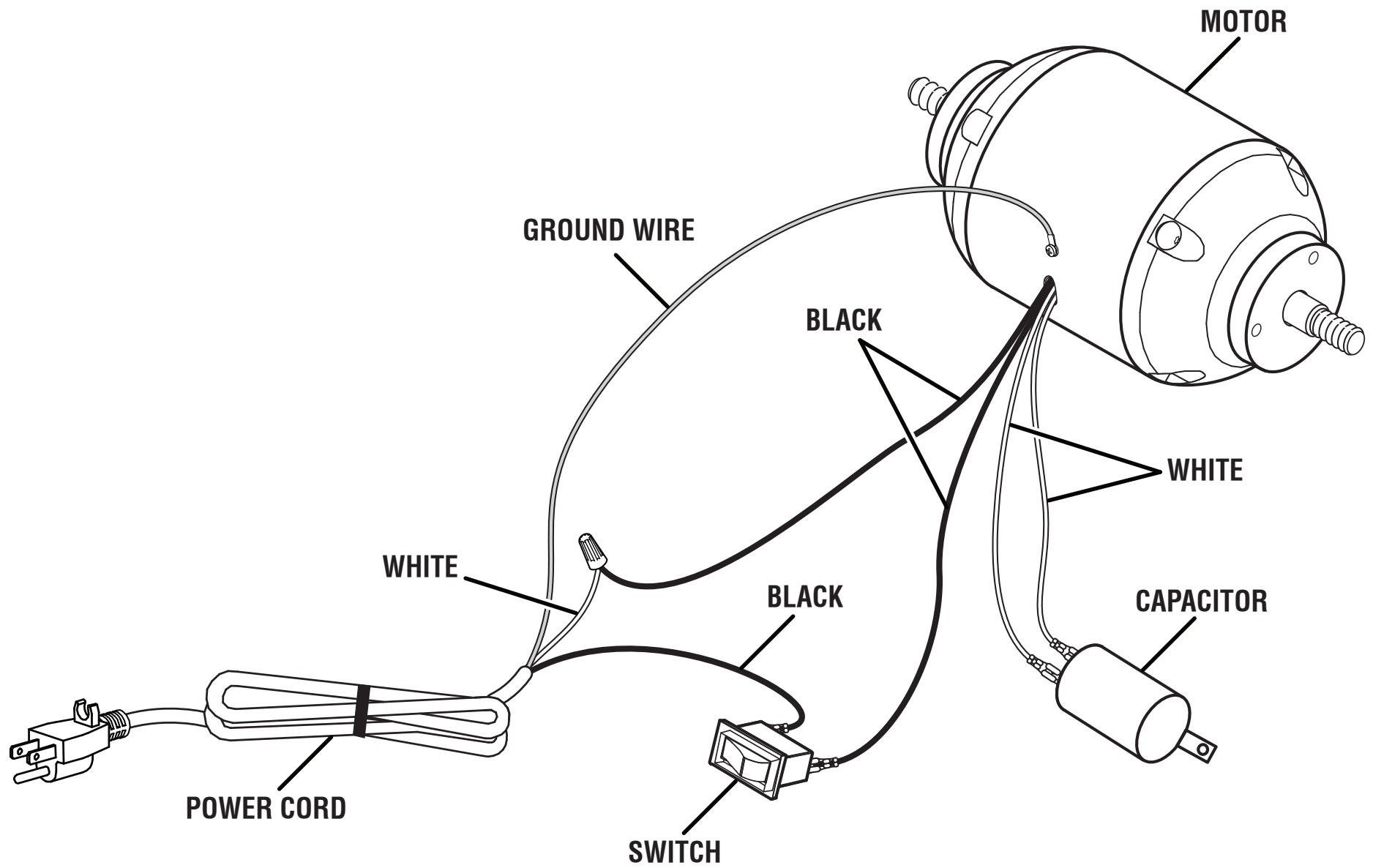
KEY NO.	PART NUMBER	DESCRIPTION	QTY	KEY NO.	PART NUMBER	DESCRIPTION	QTY
1	089150114014	Screw (M5 x 42 mm).....	6	26	089055007005	Work Rest (Right).....	1
2	089055009004	Left Wheel Cover .....	1	27	602201	Cord Clamp .....	1
3	602801	Hex Nut (Left Hand M12).....	1	28	089055007029	Rubber Foot.....	4
4	602904	Wheel Flange .....	4	29	602301	Power Cord.....	1
5	603601	Wheel (#36, 150 x 20 x 12.7 mm).....	1	30	089055009701	Motor Assembly .....	1
6	089150114013	Screw (M5 x 10 mm, Pan Hd.).....	6	31	089055009009	Data Label .....	1
7	089055007042	Spacer (Use With Optional Wire Wheel Only).....	1	32	601901	Grommet.....	1
	**	Optional Wire Wheel		33	089150114016	Bottom Cover Base .....	1
8	089055007007	Screw (M5 x 8 mm, Pan Hd.).....	2	34	602601	Lock Washer (D4) .....	1
9	089150114001	Screw (M5 x 8 mm, Philips Hd.) .....	4	35	089055007028	Screw (M6 x 10 mm, Pan Hd.).....	2
10	600306	Washer (D5) .....	2	36	089150114019	Screw (M4 x 8 mm, Pan Hd.).....	1
11	089150114005	Eye Shield.....	1	37	089150112003	Flange Hex Nut (M4).....	3
12	089150114012	Carriage Bolt (M6 x 14 mm).....	2	38	089055009008	Base.....	1
13	089055009003	Wheel Guard (Left).....	1	39	089055009005	Switch Plate.....	1
14	089150112002	Flange Hex Nut (M5).....	6	40	602101	Switch .....	1
15	089055007032	Work Rest (Left) .....	1	41	602003	Screw (M4 x 8 mm, Pan Hd.).....	3
16	089055009002	Locking Knob .....	4	42	089150114003	Carriage Bolt (M5 x 55 mm,).....	2
17	**	Batteries (AAA).....	2	43	089055009001	Knob .....	2
18	089150114009	Magnified Eye Shield .....	1	44	089150114006	Spacer .....	2
19	089150114008	Bolt (M5 x 55 mm, Hex Hd.) .....	2	45	089055009702	Led Light Assembly w/Cover .....	2
20	089150114017	Capacitor .....	1		<b>Not Shown:</b>		
21	089150114002	Spark Deflector.....	2		990000664	Operator's Manual	
22	089055009006	Right Wheel Cover.....	1		5-25-16		
23	605001	Hex Nut (M12).....	1		(Rev:03)		
24	606001	Wheel (#60, 150 x 20 x 12.7 mm).....	1				
25	089055009007	Wheel Guard (Right) .....	1				

**⚠ WARNING:**

Improper repair of a double insulated tool can result in damage to the double insulation system possibly causing electrical shock or electrocution. Any repairs requiring disassembly of your tool requires safety testing and should only be performed by a Ryobi Authorized Service Center. For the service center nearest you call 1-800-525-2579.

\*\* Maybe be purchased at your nearest catalog order or retail store.

**RYOBI BENCH GRINDER - MODEL NUMBER BG612G**



**WIRING DIAGRAM**