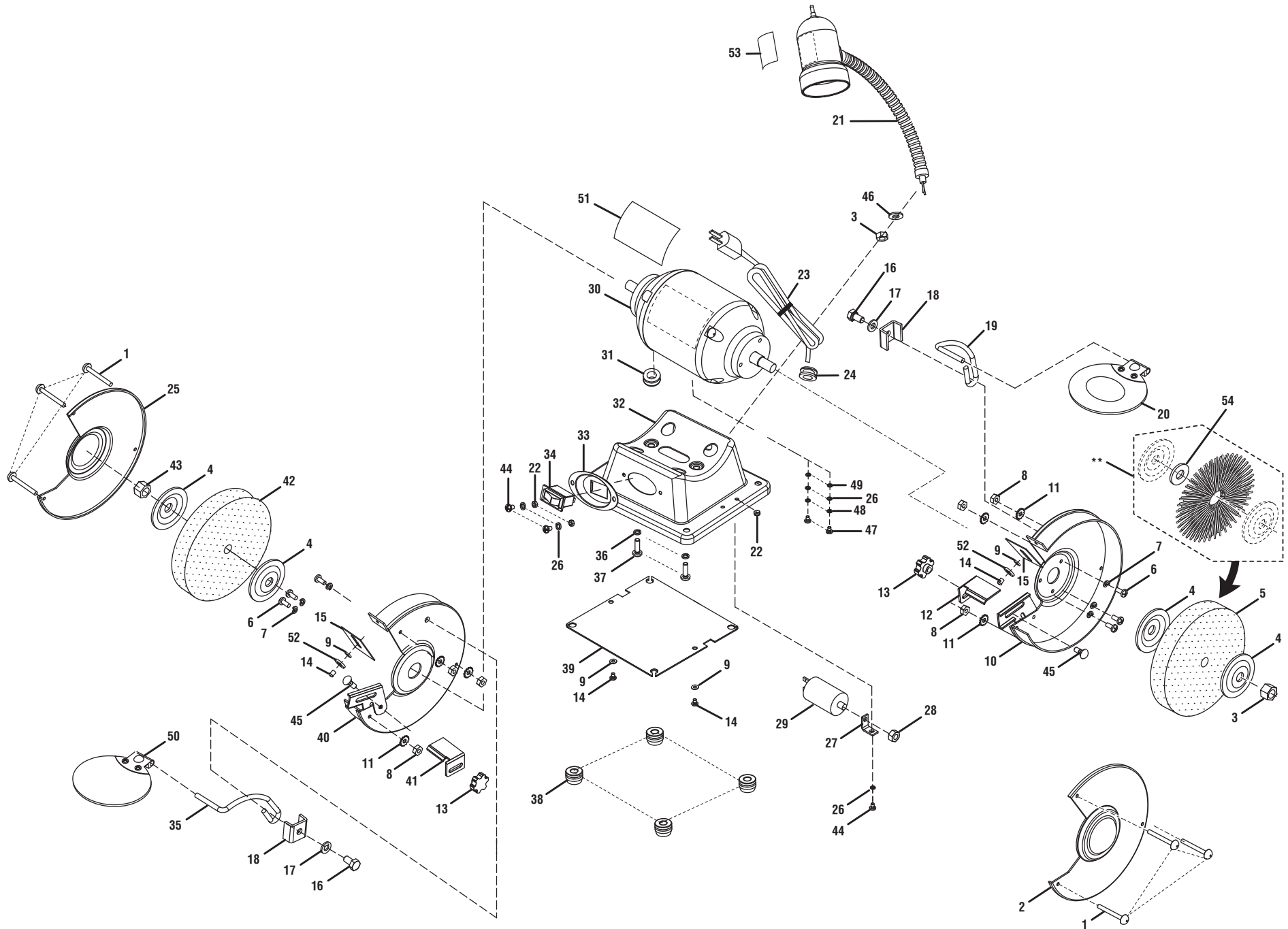


RYOBI BENCH GRINDER - MODEL NUMBER BGH6110



RYOBI BENCH GRINDER – MODEL NUMBER BGH6110

The model number will be found on a label attached to the motor housing. Always mention the model number in all correspondence regarding your **BENCH GRINDER** or when ordering repair parts.

PARTS LIST (FIGURE A)

KEY NO.	PART NUMBER	DESCRIPTION	QTY	KEY NO.	PART NUMBER	DESCRIPTION	QTY
1	089055007001	Screw (m5 x 40 mm, pan hd.).....	6	31	601901	Cord Bushing.....	1
2	089055007002	Right Wheel Cover.....	1	32	089055007025	Base.....	1
3	605001	Hex Nut (M12 x 1 mm).....	2	33	089055007026	Switch Plate.....	1
4	602904	Wheel Flange.....	4	34	602101	Switch.....	1
5	606001	Wheel (60#, 150 x 20 x 12.7 mm).....	1	35	089055007027	Eyeshield Bracket (Left).....	1
6	600112	Phillips Screw (M5 x 10 mm).....	6	36	601104	Lock Washer (6 mm).....	2
7	600212	Lock Washer (5 mm).....	6	37	089055007028	Screw (M6 x 10 mm, Pan Hd.).....	2
8	600506	Hex Nut (M5).....	6	38	089055007029	Rubber Foot.....	4
9	600306	Washer (5 mm).....	4	39	089055007030	Bottom Cover Base.....	1
10	089055007003	Right Wheel Guard.....	1	40	089055007031	Wheel Guard (Left).....	1
11	089055007004	Lock Washer (D5).....	6	41	089055007032	Work Rest (Left).....	1
12	089055007005	Work Rest (Right).....	1	42	603601	Wheel (36#, 150 x 20 x 12.7 mm).....	1
13	089055007006	Knob.....	2	43	602801	Hex Nut (Left Hand M12).....	1
14	089055007007	Screw (M5 x 8 mm, Pan Hd.).....	4	44	602003	Screw (M4 x 8 mm, Phillips).....	3
15	089055007008	Spark Shield.....	2	45	089055007033	Bolt (M6 x 14 mm, Carriage).....	2
16	089055007009	Bolt (M8 x 14 mm, Hex Hd.).....	2	46	089055007039	Washer (D12).....	1
17	089055007010	Washer (D8).....	2	47	089055007034	Screw (M4 x 7 mm, Pan Hd.).....	2
18	089055007011	Eyeshield Bracket (Right).....	2	48	601610	Washer (4 mm).....	2
19	089055007012	Eyeshield Mount Rod.....	1	49	602601	Washer (4 mm, Toothed Lock).....	2
20	089055007700	Magnify Eye Shield Assembly.....	1	50	089055007702	Eye Shield Assembly.....	1
21	089055007017	Lamp.....	1	51	089055007900	Data Label.....	1
22	601808	Hex Nut (M4).....	3	52	089055007035	Washer (D5).....	2
23	602301	Cord & Plug.....	1	53	089055007906	Lamp Label.....	1
24	602201	Cord Clip.....	3	54	089055007042	Spacer (Use With Optional Wire Wheel Only).....	1
25	089055007018	Left Wheel Cover.....	1		**	Optional Wire Wheel	
26	601711	Lock Washer (4 mm).....	5		NOT SHOWN:		
27	089055007019	Capacitor Support.....	1		987000392	Operator's Manual	
28	602104	Hex Nut (M8).....	1		8-28-09		
29	603201	Capacitor (8 uF/ 300 V).....	1		(REV:01)		
30	089055007701	Motor Assembly.....	1				

WARNING: Improper repair of a double insulated tool can result in damage to the double insulation system possibly causing electrical shock or electrocution. Any repairs requiring disassembly of your tool requires safety testing and should only be performed by a Ryobi Authorized Service Center. For the service center nearest you call 1-800-525-2579.