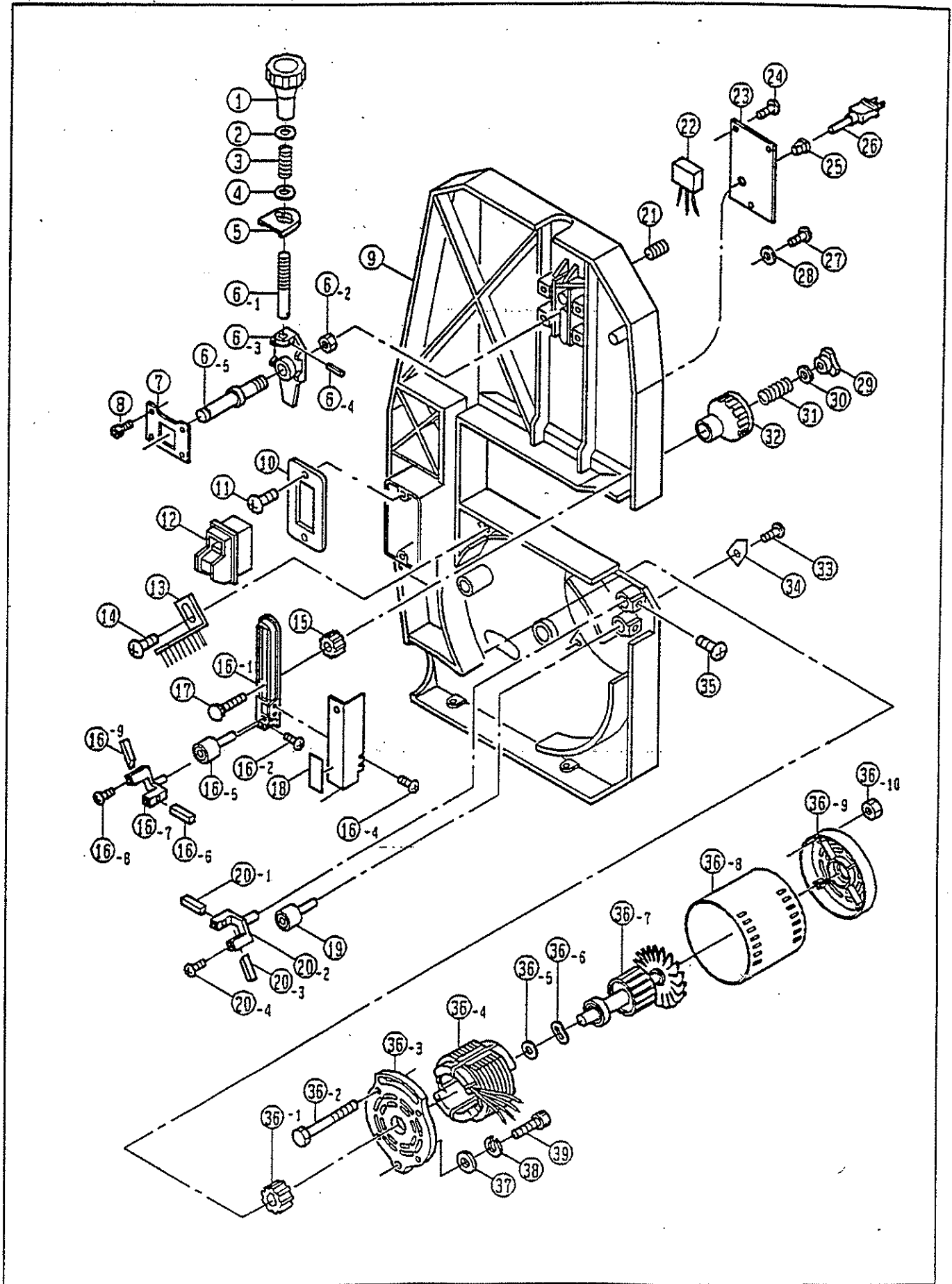


BAND SAW

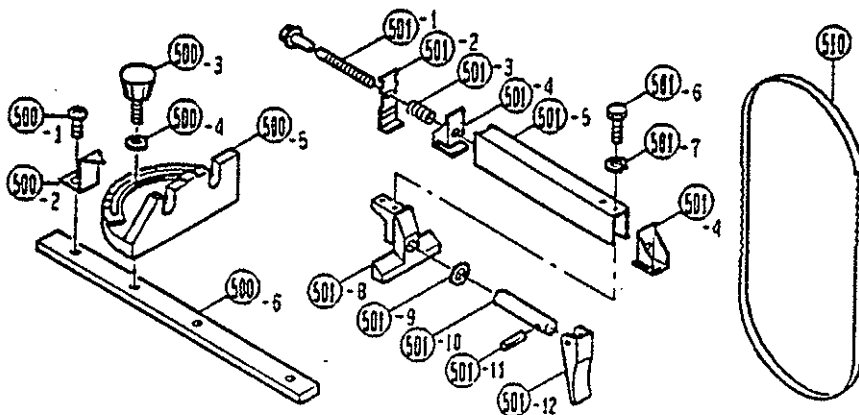
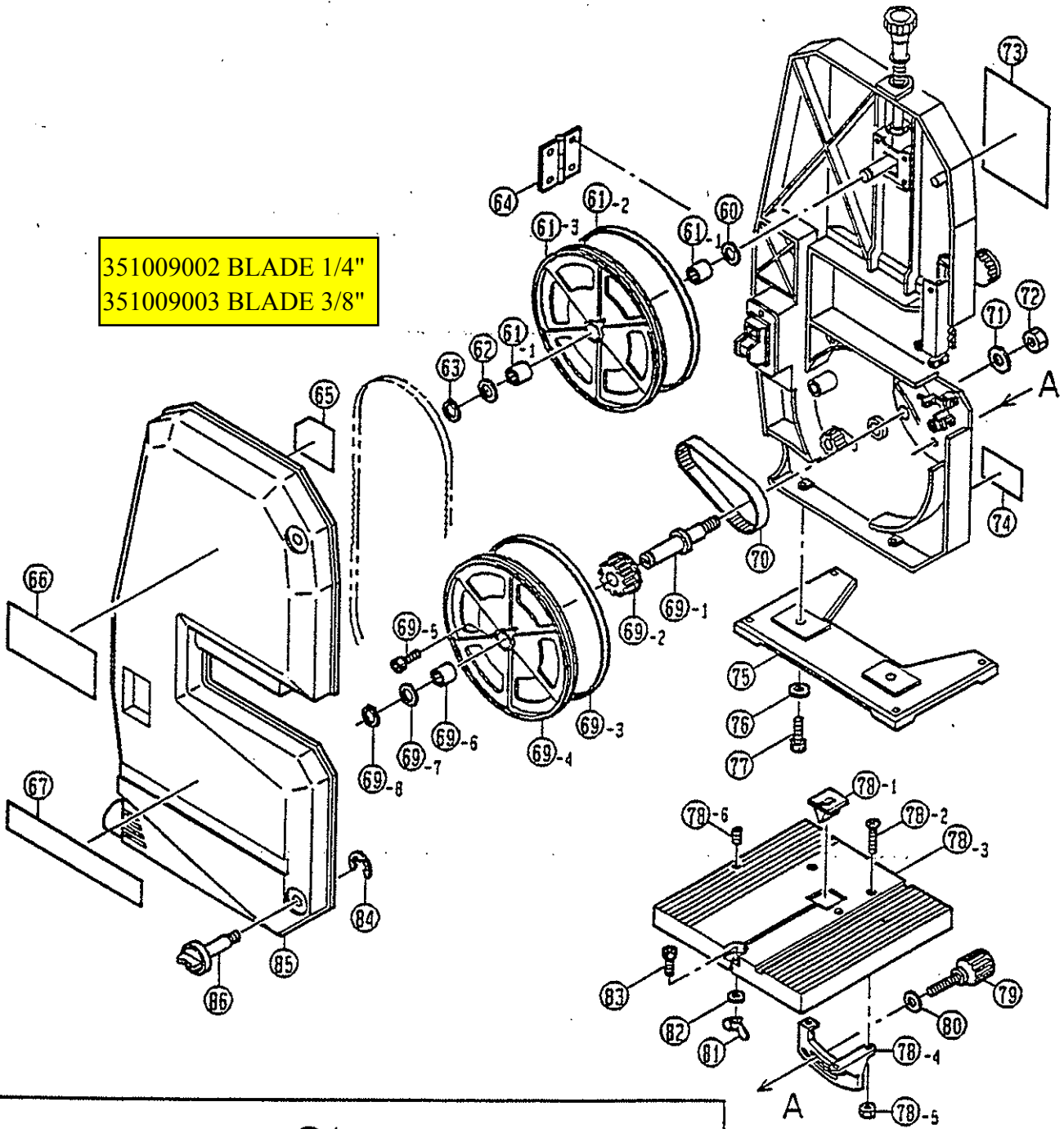
BS-900



BAND SAW

BS-900

351009002 BLADE 1/4"
351009003 BLADE 3/8"



351009002 BLADE 1/4"
351009003 BLADE 3/8"

PARTS LIST FOR AFTER SALES SERVICE MODEL BS900

REF	PART NO.	DESCRIPTION	QTY	REF	PART NO.	DESCRIPTION	QTY
1	1830022	ADJUSTMENT KNOB	1	34	1950020	BEVEL INDICATOR	1
2	1900082	WASHER	1	35	1130195	SCREW	2
3	1180040	SPRING	1	36	1030014	MOTOR & DRIVE PULLEY ASS'Y	1
4	1900082	WASHER	1	36-1	1860016	PULLEY	1
5	1830021	KNOB COVER	1	36-2	1130197	SCREW	4
6	1080045	WHEEL BOLT SUPPORT ASS'Y	1	36-3	1880041	BRACKET	1
6-1	1130200	BOLT	1	36-4	1500003	FIELD COIL	1
6-2	1130201	NUT	1	36-5	1900088	WASHER	4
6-3	1320020	WHEEL SUPPORT	1	36-6	1900089	LOCK WASHER	2
6-4	1120031	PIN	1	36-7	1460003	ARMATURE	2
6-5	1100030	SHAFT	1	36-8	1800033	BODY	2
7	1150077	PLATE	1	36-9	1880040	BRACKET	1
8	1130191	SCREW	4	36-10	1130198	NUT	1
9	1800031	FRAME	1	37	1900082	WASHER	2
10	1880036	SWITCH COVER	1	38	1900081	LOCK WASHER	1
11	1130196	SCREW	2	39	1130190	SCREW	1
12	1550026	SWITCH	1	60	1900083	WASHER	1
13	1540030	BRUSH	1	61	1080046	WHEEL IDLER ASS'Y	1
14	1130199	SCREW	1	61-1	989377002	BALL BEARING #6000ZZ	2
15	1110003	GEAR SHAFT	1	61-2	1860014	TIRE	1
16	1080047	SLIDE UPPER ASS'Y	1	61-3	1320021	WHEEL IDLER	1
16-1	1320023	SLIDE UPPER	1	62	1900083	WASHER	1
16-2	1130199	SCREW	2	63	1100032	RETAINING RING S-10	1
16-3	1880039	BLADE GUARD	1	64	1290007	HINGE	1
16-4	1130195	SCREW	2	65	1920069	BLADE SELECT LABEL	1
16-5	1080050	SHAFT BEARING	1	66	1920067	"RYOBI" MARK	1
16-6	1120032	PIN	1	67	1920068	WARNING LABEL	1
16-7	1960014	GUIDE SUPPORT	1	69	1080048	WHEEL DRIVE ASS'Y	3
16-8	1130199	SCREW	2	69-1	1100031	SHAFT	1
16-9	1120033	PIN	1	69-2	1860015	PULLEY IDLER	2
17	1130193	BOLT	1	69-3	1860014	TIRE	1
18	1920070	CAUTION LABEL	1	69-4	1320022	WHEEL DRIVE	1
19	1080050	SHAFT BEARING	1	69-5	1130204	SCREW	1
20	1080049	SUPPORT GUIDE SCREW ASS'Y	1	69-6	1750002	BEARING	1
20-1	1120032	PIN	1	69-7	1900087	WASHER	1
20-2	1960014	GUIDE SUPPORT	1	69-8	1100033	RETAINING RING S-12	1
20-3	1120033	PIN	1	70	1860013	BELT	1
20-4	1130199	SCREW	2	71	1900081	LOCK WASHER	2
21	1130192	CHUCK SCREW	1	72	1130194	NUT	2
22	1550027	CONDENSER	1	73	1920071	BLADE TENSION LABEL	1
23	1880037	PLATE COVER	1	74	1910214	NAME PLATE	1
24	1130196	SCREW	3	75	1800032	FOOT FRAME	3
25	1560014	RELIEF-STRAIN	1	76	1900081	LOCK WASHER	1
26	1520021	CORD ASS'Y	1	77	1130190	SCREW	1
27	1130196	SCREW	1	78	1080051	TABLE/TRUNNION ASS'Y	3
28	1900085	LOCK WASHER M5	1	78-1	1360056	TABLE INSERT	1
29	1830024	KNOB	1	78-2	1130202	SCREW	2
30	1900084	WASHER	1	78-3	1850013	TABLE	2
31	1180041	SPRING	1	78-4	1320024	TRUNNION	1
32	1830023	DRIVE KNOB	1	78-5	1130203	NUT	1
33	1130199	SCREW	1	78-6	1130212	SET SCREW	1

PARTS LIST FOR AFTER SALES SERVICE MODEL BS900

REF	PART NO.	DESCRIPTION	QTY	REF	PART NO.	DESCRIPTION	QTY
79	1830025	KNOB	2				
80	1900086	WASHER	1				
81	1130205	WING NUT	2				
82	1900090	WASHER	2				
83	1130206	SCREW	1				
84	1100034	RETAINING RING	2				
85	1880042	COVER	1				
86	1830027	KNOB	2				
87	4550028	SWITCH KEY (NOT SHOWN)	1				
---	6560003	CONNECTOR	2				

STANDARD ACCESSORIES

500	1080052	MITER GAUGE ASS'Y	1				
500-1	1130207	SCREW	1				
500-2	1950021	POINTER	1				
500-3	1830026	LOCK KNOB	1				
500-4	1900091	WASHER	1				
500-5	1950019	MITER GAUGE	1				
500-6	1960015	BAR	1				
501	4060900	RIP FENCE ASS'Y	1				
501-1	1100035	LOCK BAR	✓ 1				
501-2	1150078	CLAMP	✓ 1				
501-3	1180042	SPRING	✓ 1				
501-4	1330003	SUPPORT	✓ 1				
501-5	1150079	FENCE	✓ 1				
501-6	1130208	HEX HEAD SCREW	✓ 2				
501-7	1900092	SPRING WASHER	2				
501-8	1330004	BRACKET	1				
501-9	1900093	WASHER	✓ 1				
501-10	1130209	NUT	✓ 1				
501-11	1120034	PIN	✓ 1				
501-12	1830028	ADJUSTING KNOB	✓ 1				
---	1240100	3MM HEX KEY					
510		* BLADE	1				
*SEE CATALOG FOR ASSORTMENT							
511	1240100	HEX WRENCH 3MM					

351009002 BLADE 1/4"
351009003 BLADE 3/8"

SERVICE NOTES:

1240100 HEX KEY
4550028 SWITCH KEY