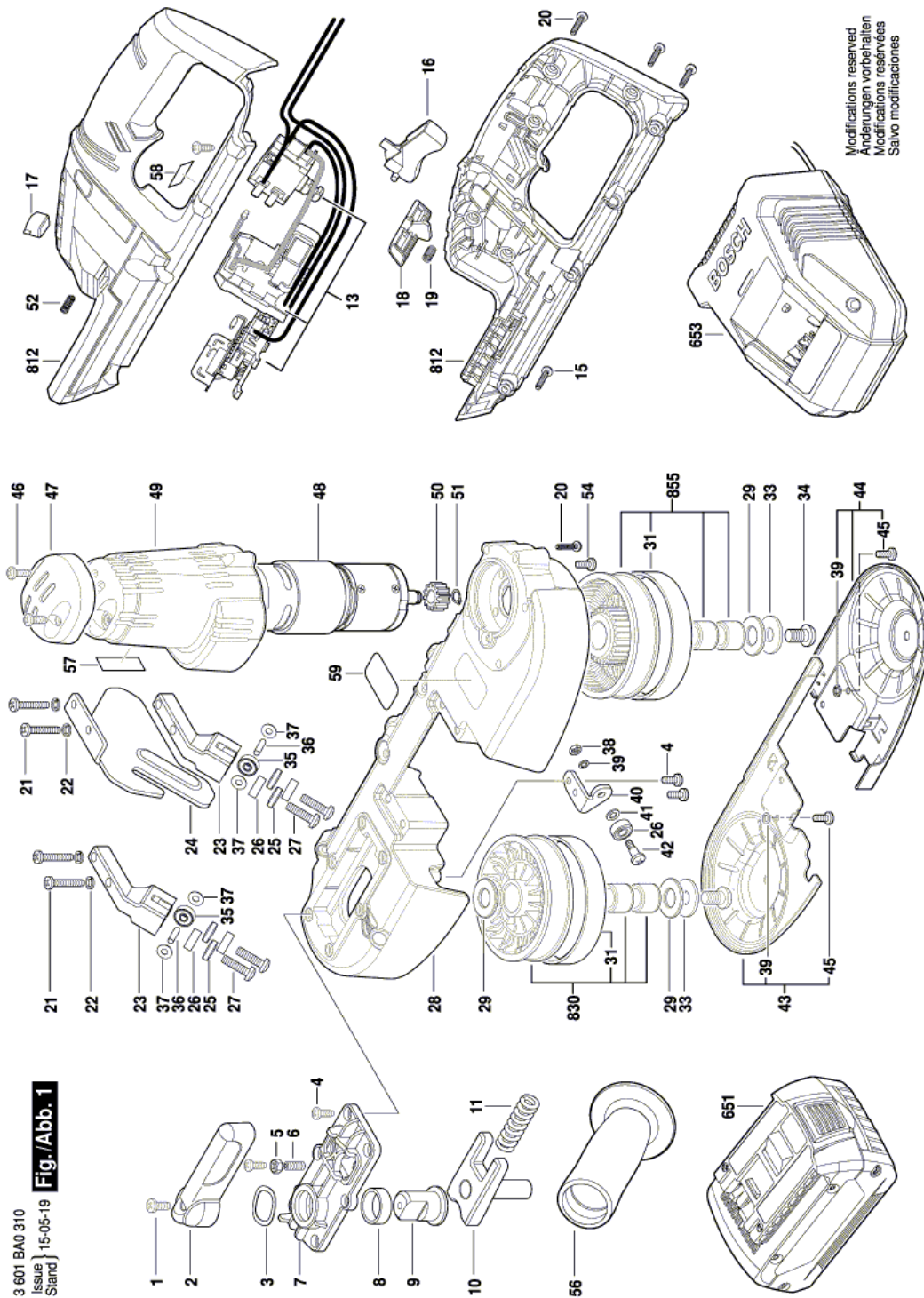


Illustration - Type E



Information subject to change without further notice.

. - 3 601 BA0 310 - BSH 180

www.powertools-aftersaleservice.com

**BOSCH**

Item	Part Number	Description	Illustration	Price	Quantity	Price Group
1	2 610 013 522	Screw	1	-,-	1	10
2	2 610 012 368	Tensioning Lever	1	-,-	1	20
3	2 610 013 523	Corrugated Washer	1	-,-	1	10
4	2 610 013 524	Screw	1	-,-	14	11
5	2 610 013 525	Hex Nut	1	-,-	2	10
6	2 610 013 526	Screw	1	-,-	2	11
7	2 610 013 527	Cover Plate	1	-,-	1	21
8	2 610 013 528	Bushing	1	-,-	1	16
9	2 610 013 529	Eccentric	1	-,-	1	26
10	2 610 013 530	Aligning block	1	-,-	1	28
11	2 610 013 531	Spring	1	-,-	1	19
13	1 607 233 448	Electronics Module	1	-,-	1	47
15	2 610 013 532	Tapping Screw	1	-,-	1	10
16	2 610 942 930	Trigger	1	-,-	1	12
17	2 610 012 367	Lens	1	-,-	1	10
18	2 610 013 533	Switch Button	1	-,-	1	19
19	2 610 013 534	Compression Spring	1	-,-	1	10
20	2 610 013 535	Tapping Screw	1	-,-	10	12
21	2 610 013 536	Thread-forming tap. Screw	1	-,-	4	11
22	2 610 013 537	Spring Washer	1	-,-	4	10
23	2 610 013 538	Guide	1	-,-	2	27
24	2 610 013 539	Guide Angle	1	-,-	1	28
25	2 610 013 540	Roller Bearing	1	-,-	4	18
26	2 610 013 541	Ball Bearing	1	-,-	5	21
27	2 610 013 542	Thread-forming tap. Screw	1	-,-	4	10
28	2 610 012 363	Housing	1	-,-	1	44
29	2 610 013 543	Washer	1	-,-	3	12
31	2 610 013 545	Rubber Ring	1	-,-	2	18
33	2 610 013 547	Plain Washer	1	-,-	2	10
34	2 610 013 548	Hexagon Socket Screw Key	1	-,-	2	13
35	2 610 013 549	Ball Bearing	1	-,-	2	21
36	2 610 013 550	Pin	1	-,-	2	13
37	2 610 013 551	Washer	1	-,-	4	10

Item	Part Number	Description	Illustration	Price	Quantity	Price Group
38	2 610 013 552	Hex Nut	1	-,-	1	10
39	2 610 013 553	Spring Washer	1	-,-	3	10
40	2 610 013 554	Support bracket	1	-,-	1	12
40	2 610 013 554	Support bracket	1	-,-	1	12
41	2 610 013 555	Plain Washer	1	-,-	1	10
42	2 610 013 556	Screw	1	-,-	1	11
43	2 610 013 557	Upper guard	1	-,-	1	25
44	2 610 012 369	Lower guard	1	-,-	1	25
45	2 610 013 558	Thread-Forming Screw	1	-,-	2	10
46	2 610 013 559	Tapping Screw	1	-,-	2	10
47	2 610 013 560	End cap	1	-,-	1	22
48	2 610 013 561	DC motor	1	-,-	1	47
49	2 610 012 366	Motor Housing	1	-,-	1	28
50	2 610 013 562	Pinion	1	-,-	1	16
51	2 610 013 563	Retaining ring	1	-,-	1	10
52	2 604 690 055	Compression Spring	1	-,-	1	10
54	2 610 013 565	Tapping Screw	1	-,-	4	10
56	2 602 025 067	Auxiliary Handle M10, Ø32,5x105 MM	1	-,-	1	15
57	2 610 011 288	Nameplate	1	-,-	1	-
58	2 610 011 289	Warning Label	1	-,-	1	-
59	2 610 013 567	Label	1	-,-	1	-
651	2 607 336 819	Battery Pack BBS MR-XL 18V, 4,0Ah, LI	1	-,-	1	51
653	2 607 225 429	Fast Charger USA 120/10,8-18V, 1h	1	-,-	1	41
812	2 610 013 568	Set Of Handles	1	-,-	1	37
830	2 610 024 574	Pulley Wheel	1	-,-	1	29
855	2 610 024 575	Drive Wheel	1	-,-	1	26