



**BOSCH**

# Stand

BT 300 HD | 3 601 K91 410

---

## Table of Content

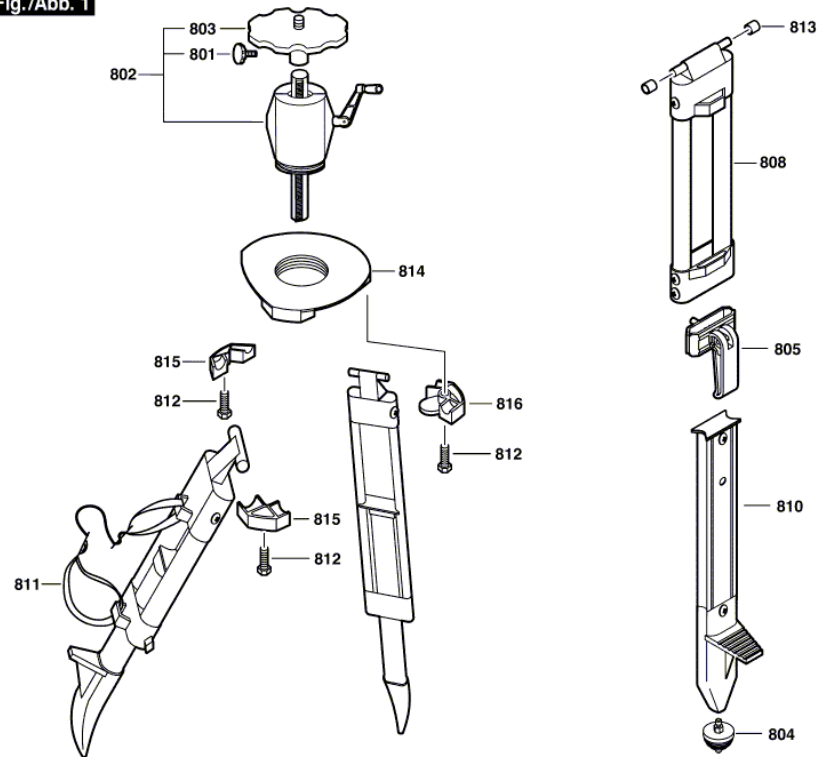
Spare parts list.....	2
Illustration - Type.....	3

**Spare parts list**

<b>Item</b>	<b>Part Number</b>	<b>Description</b>	<b>Illustration</b>
801	1 600 A00 0A6	Clamp Screw	1
802	1 600 A00 0A8	Drive Unit	1
803	1 600 A00 0A5	Turntable	1
804	2 610 A11 966	Supporting foot	1
805	1 600 A00 093	Clamping Unit	1
808	1 600 A00 0AB	Guide	1
810	1 600 A00 0AA	Stand Leg	1
811	2 610 A09 293	Carrying Strap	1
812	2 610 A09 316	Lock Bolt	1
813	2 610 A09 009	Bushing	1
814	2 610 A14 492	Head	1
815	2 610 A14 493	Clamp	1
816	2 610 A14 606	Swing Clamp	1

Illustration - Type - E

3 601 K91 400  
Issue | 02-07-04  
Stand | 10-09-15 **Fig./Abb. 1**



Änderungen vorbehalten  
Modifications reserved  
Modificaciones reservées  
Salvo modificaciones